

MAXIMUM USER'S

**Instructions and recommendations**

Installer

User

Maintenance technician



**VICTRIX  
SUPERIOR  
35 PLUS**

\*L.047097ENG\*



## INDEX

|   |           |
|---|-----------|
| Dear Customer.....  | 4         |
| General Recommendations.....  | 5         |
| Safety symbols used.....  | 6         |
| Personal protective equipment .....   | 6         |
| <b>1 Unit installation .....</b>  | <b>7</b>  |
| 1.1 Installation warnings.....  | 7         |
| 1.2 Main dimensions.....  | 11        |
| 1.3 Minimum installation distances .....  | 12        |
| 1.4 Antifreeze protection.....  | 12        |
| 1.5 Appliance connection unit .....   | 14        |
| 1.6 Gas connection .....  | 15        |
| 1.7 Hydraulic connection .....  | 16        |
| 1.8 Cycloidal filter unit.....  | 17        |
| 1.9 Electrical connection .....   | 19        |
| 1.10 Remote controls and room chrono-thermostats (Optional) .....                                     | 21        |
| 1.11 External temperature probe (Optional).....   | 22        |
| 1.12 Flow temperature probe (Optional).....   | 22        |
| 1.13 Temperature control setting.....   | 23        |
| 1.14 Immergas flue systems .....  | 24        |
| 1.15 Tables of resistance factors and equivalent lengths of “Green Range” flue system components..... | 25        |
| 1.16 Outdoor installation in partially protected area .....   | 27        |
| 1.17 Concentric horizontal kit installation.....  | 29        |
| 1.18 Concentric vertical kit installation.....  | 31        |
| 1.19 Separator kit installation .....   | 33        |
| 1.20 C9 adaptor kit installation .....  | 36        |
| 1.21 C15 configuration concentric kit .....   | 38        |
| 1.22 Concentric kit C10 configuration (Ø 80/125).....   | 39        |
| 1.23 Configuration C10 - C12 separator kit (Ø 80/80).....   | 41        |
| 1.24 Ducting of flues or technical slots.....   | 45        |
| 1.25 Configuration type B, open chamber and fan assisted for indoors.....                             | 46        |
| 1.26 Flue exhaust to flue/chimney.....  | 46        |
| 1.27 Flues, chimneys and chimney caps.....  | 47        |
| 1.28 Water treatment plant filling.....   | 48        |
| 1.29 System filling.....  | 49        |
| 1.30 Filling the condensate drain trap .....  | 49        |
| 1.31 Gas system start-up.....   | 49        |
| 1.32 Appliance start-up (Ignition) .....  | 50        |
| 1.33 Circulation pump .....   | 51        |
| 1.34 Kits available on request.....   | 53        |
| 1.35 Main components.....   | 54        |
| <b>2 Instructions for use and maintenance .....</b>   | <b>55</b> |
| 2.1 General recommendations.....  | 55        |
| 2.2 Cleaning and maintenance.....   | 57        |
| 2.3 Control panel .....   | 57        |
| 2.4 Using the appliance .....   | 57        |
| 2.5 Operating mode.....   | 59        |
| 2.6 DHW mode .....  | 62        |
| 2.7 Central heating mode.....   | 63        |
| 2.8 Parameters and information menu.....  | 67        |
| 2.9 Fault and anomaly signals.....  | 73        |
| 2.10 Appliance switch-off.....  | 79        |

|          |   |            |
|----------|---|------------|
| 2.11     | Restore central heating system pressure.....  | 79         |
| 2.12     | Draining the system .....   | 79         |
| 2.13     | Antifreeze protection .....   | 79         |
| 2.14     | Prolonged inactivity .....  | 80         |
| 2.15     | Cleaning the case .....   | 80         |
| 2.16     | Permanent shutdown .....  | 80         |
| 2.17     | Automatic vent mode .....   | 80         |
| <b>3</b> | <b>Instructions for maintenance and initial check.....</b>  | <b>81</b>  |
| 3.1      | General recommendations.....  | 81         |
| 3.2      | Initial check.....  | 81         |
| 3.3      | Yearly appliance check and maintenance.....   | 82         |
| 3.4      | Hydraulic diagram .....   | 84         |
| 3.5      | Wiring diagram .....  | 85         |
| 3.6      | Removable memory.....   | 87         |
| 3.7      | Troubleshooting .....   | 88         |
| 3.8      | Access reserved to service .....  | 89         |
| 3.9      | Converting the appliance to other types of gas .....  | 89         |
| 3.10     | Calibration type involving the replacement of a component .....   | 90         |
| 3.11     | Complete calibration function.....  | 90         |
| 3.12     | CO2 regulation .....  | 93         |
| 3.13     | Quick calibration.....  | 94         |
| 3.14     | Flue test .....   | 95         |
| 3.15     | Parameters and information menu.....  | 96         |
| 3.16     | Replacing the manifold insulating panel .....   | 111        |
| 3.17     | Assembly of manifold gasket on condensation module.....   | 112        |
| 3.18     | Assembling the manifold on the condensation module .....  | 113        |
| 3.19     | Replacing the control panel keyboard .....  | 114        |
| 3.20     | Specific information for correct appliance installation in common pressurised flue systems (C10 - C12)..... | 115        |
| 3.21     | Appliance coupling with wireless room probes.....   | 116        |
| 3.22     | Automatic venting function .....  | 117        |
| 3.23     | “Chimney sweep” function .....  | 118        |
| 3.24     | Screed heater function.....   | 119        |
| 3.25     | Pump anti-block function .....  | 119        |
| 3.26     | Three-way anti-block system.....  | 119        |
| 3.27     | Radiators antifreeze function .....   | 119        |
| 3.28     | P.C.B. periodical self-check .....  | 119        |
| 3.29     | Casing removal .....  | 120        |
| <b>4</b> | <b>Technical data.....</b>  | <b>123</b> |
| 4.1      | Variable heat output .....  | 123        |
| 4.2      | Combustion parameters.....  | 124        |
| 4.3      | Technical data table .....  | 125        |
| 4.4      | Key for data nameplate .....  | 126        |
| 4.5      | Technical parameters for combination boilers (in compliance with Regulation 813/2013) .....                 | 127        |
| 4.6      | Product fiche (in compliance with Regulation 811/2013) .....  | 128        |
| 4.7      | Parameters for filling in the package fiche.....  | 129        |

## Dear Customer

*For assistance and routine maintenance, contact Authorised Technical Service Centres: they have original spare parts and are specifically trained directly by the manufacturer.*

*Congratulations for having chosen a top-quality Immergas product, able to assure well-being and safety for a long period of time. As an Immergas customer you can also count on a Qualified Authorised After-Sales Technical Assistance Centre, prepared and updated to guarantee constant efficiency of your appliance. Read the following pages carefully: you will be able to draw useful tips on the proper use of the device, compliance with which will confirm your satisfaction with the Immergas product.*

---

---

The company **IMMERGAS S.p.A.**, with registered office in via Cisa Ligure 95 42041 Brescello (RE), declares that the design, manufacturing and after-sales assistance processes comply with the requirements of standard **UNIENISO 9001:2015**.

For further details on the product CE marking, request a copy of the Declaration of Conformity from the manufacturer, specifying the appliance model and the language of the country.

The manufacturer declines all liability due to printing or transcription errors, reserving the right to make any modifications to its technical and commercial documents without forewarning.



---

## GENERAL RECOMMENDATIONS

This book contains important information for the:

**Installer** (section 1);

**User** (section 2);

**Maintenance Technician** (section 3).

- The user must carefully read the instructions in the specific section (section 2).
  - The user must limit operations on the appliance only to those explicitly allowed in the specific section.
  - The appliance must be installed by qualified and professionally trained personnel.
  - The instruction booklet is an integral and essential part of the product and must be given to the new user in the case of transfer or succession of ownership.
  - It must be stored with care and consulted carefully, as all of the warnings provide important safety indications for installation, use and maintenance stages.
  - In compliance with the legislation in force, the systems must be designed by qualified professionals, within the dimensional limits established by the Law. Installation and maintenance must be performed in compliance with the regulations in force, according to the manufacturer's instructions and by professionally qualified staff, meaning staff with specific technical skills in the plant sector, as provided for by Law.
  - Improper installation or assembly of the Immergas device and/or components, accessories, kits and devices can cause unexpected problems for people, animals and objects. Read the instructions provided with the product carefully to ensure proper installation.
  - This instructions manual provides technical information for installing Immergas products. As for the other issues related to the installation of products (e.g. safety at the workplace, environmental protection, accident prevention), it is necessary to comply with the provisions of the standards in force and the principles of good practice.
  - All Immergas products are protected with suitable transport packaging.
  - The material must be stored in a dry place protected from the weather.
  - Damaged products must not be installed.
  - Maintenance must be carried out by skilled technical staff. For example, the Authorised Service Centre that represents a guarantee of qualifications and professionalism.
  - The appliance must only be destined for the use for which it has been expressly declared. Any other use will be considered improper and therefore potentially dangerous.
  - If errors occur during installation, operation and maintenance, due to non-compliance with technical laws in force, standards or instructions contained in this booklet (or however supplied by the manufacturer), the manufacturer is excluded from any contractual and extra-contractual liability for any damages and the device warranty is invalidated.
  - In the event of malfunctions, faults or incorrect operation, turn the appliance off and contact an authorised company (e.g. the Authorised Technical Assistance Centre, which has specifically trained staff and original spare parts). Do not attempt to modify or repair the appliance alone.
-

## SAFETY SYMBOLS USED



### GENERIC HAZARD

Strictly follow all of the indications next to the pictogram. Failure to follow the indications can generate hazard situations resulting in possible harm to the health of the operator and user in general, and/or property damage.



### ELECTRICAL HAZARD

Strictly follow all of the indications next to the pictogram. The symbol indicates the appliance's electrical components or, in this manual, identifies actions that can cause an electrical hazard.



### MOVING PARTS

The symbol indicates the appliance's moving components that can cause hazards.



### DANGER OF HOT SURFACES

The symbol indicates the appliance's very hot components that can cause burns.



### WARNINGS

Strictly follow all of the indications next to the pictogram. Failure to follow the indications can generate hazard situations resulting in possible minor injuries to the health of both the operator and the user in general, and/or slight material damage.



### ATTENTION

Read and understand the instructions of the appliance before carrying out any operation, carefully following the instructions given. Failure to observe the instructions may result in malfunction of the unit.



### INFORMATION

Indicates useful tips or additional information.



### EARTH TERMINAL CONNECTION

The symbol identifies the appliance's earth terminal connection point.



### DISPOSAL WARNING

The user must not dispose of the appliance at the end of its service life as municipal waste, but send it to appropriate collection centres.

## PERSONAL PROTECTIVE EQUIPMENT



### SAFETY GLOVES



### EYE PROTECTION



### SAFETY FOOTWEAR

# 1 UNIT INSTALLATION

## 1.1 INSTALLATION WARNINGS



**Operators who install and service the appliance must wear the personal protective equipment required by applicable law.**



This appliance has been designed for wall mounted installation only, for central heating and production of domestic hot water for domestic use and similar purposes.



The place of installation of the appliance and relative Immergas accessories must have suitable features (technical and structural), such as to allow for (always in safe, efficient and comfortable conditions):

- installation (according to the provisions of technical legislation and technical regulations);
- maintenance operations (including scheduled, periodic, routine and special maintenance);
- removal (to outdoors in the place for loading and transporting the appliances and components) as well as the eventual replacement of those with appliances and/or equivalent components.



The wall surface must be smooth, without any protrusions or recesses enabling access to the rear part. They are not designed to be installed on plinths or floors (Fig. 1).



By varying the type of installation the classification of the appliance and precisely:

- **Type B<sub>23</sub> or B<sub>53</sub>** appliance if installed using the relevant terminal for air intake directly from the room in which the appliance has been installed.
- **Type C appliance** if installed using concentric pipes or other types of pipes envisioned for the sealed chamber appliance for intake of air and expulsion of flue gas.



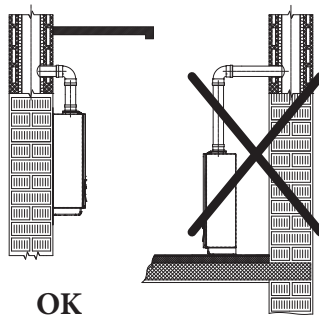
Only professionally enabled companies are authorised to install Immergas gas appliances.



The equipment classification is shown in the illustrations of the various installation solutions on the following pages.



Installation must be carried out according to regulation standards, current legislation and in compliance with local technical regulations and the required technical procedures.



OK

1



It is forbidden to install appliances removed from other systems.

The manufacturer declines all liability in the event of damage caused by appliances removed from other systems or for any non-conformities with such equipment.



Check the environmental operating conditions of all parts relevant to installation, referring to the values shown in the technical data table in this booklet.



**Installation of the appliance when powered by LPG or propane air must comply with the rules regarding gases with a greater density than air (remember, as an example, that it is prohibited to install plants powered with the above-mentioned gas in rooms where the floor is at a lower quota than the country level).**



If installing a kit or servicing the appliance, always empty the system's circuit first so as not to compromise the appliance's electrical safety (Parag. 2.12).

Always disconnect the appliance from voltage and, depending on the type of operation, decrease the pressure and/or bring it to zero in the gas and DHW circuits.



If the appliance is connected to a low temperature direct zone, it is necessary to check the necessary flow rate and possibly add a relaunch pump.



**It is just as important that the intake grids and exhaust terminals are not obstructed.**



**Check that no flue gas recirculation is found in the air sample points. Allow the appliance to reach the maximum heat output; the CO<sub>2</sub> value measured in the air must be less than 10% of that measured on the flue gas.**



The minimum distance for exhaust pipes from flammable materials must be at least 25 cm.



Keep all flammable objects away from the appliance (paper, rags, plastic, polystyrene, etc.).



Do not place household appliances underneath the appliance as they could be damaged if the safety valve intervenes, if the drain trap is blocked, or if there are leaks from the hydraulic connections; otherwise, the manufacturer cannot be held responsible for any damage caused to the household appliances.



For the aforementioned reasons, we recommend not placing furnishings, furniture, etc. under the appliance.



Any modification to the appliance that is not explicitly indicated in this section of the booklet is forbidden.



Before installing the appliance, ensure that it is delivered in perfect condition; if in doubt, contact the supplier immediately. Packing materials (staples, nails, plastic bags, polystyrene foam, etc.) constitute a hazard and must be kept out of the reach of children.

If the appliance is installed inside or between cabinets, ensure sufficient space for routine servicing; for minimum installation distances, see Fig. 3.

#### Installation standards



This type of installation is possible when permitted by the laws in force in the appliance's country of destination.





This appliance can be installed outdoors in a partially protected area.  
By partially protected area, we mean one in which the unit is not directly exposed to the elements (rain, snow, hail, etc.).



**Installation of gas appliances, flue exhaust pipes and combustion air intake pipes is forbidden in places with a fire risk (for example: garages, closed parking stalls), and in potentially dangerous places.**



**Do not install on the vertical projection of hobs.**



**Do not install in places/rooms that constitute public areas of apartment buildings, internal stairways or other escape routes (e.g. floor landings, entrance halls, etc.).**



**Installation is also forbidden in places/rooms that constitute public areas of apartment buildings such as cellars, entrance halls, attics, lofts, etc., unless otherwise provided for by local regulations in force.**



**These appliances, if not adequately isolated, are not suitable for installation on walls of combustible material.**



**Wall mounting of the appliance must guarantee stable and efficient support for the generator.**

The plugs (standard supply) that come with the appliance are only to be used to fix the latter to the wall; they only ensure adequate support if inserted correctly (according to technical standards) in walls made of solid or semi-hollow brick or block. In the case of walls made from hollow brick or block, partitions with limited static properties, or in any case walls other than those indicated, a static test must be carried out to ensure adequate mount.



These appliances are used to heat water to below boiling temperature in atmospheric pressure.



They must be connected to a central heating system and domestic hot water circuit suited to their performance and capacity.



The storage tank unit, if present, must also be installed in an environment in which the temperature cannot fall below 0°C.

**Risk of damage due to corrosion caused by unsuitable combustion air and environment.**



Spray, solvents, chlorine-based detergents, paints, glue, ammonium compounds, powders and similar cause product and flue duct corrosion.



Check that combustion air power supply is free from chlorine, sulphur, powders, etc.



Make sure that no chemical substances are stored in the place of installation.



If you want to install the product in beauty salons, paint workshops, carpenter's shop, cleaning companies or similar, choose a separate installation area that ensures combustion air supply that is free from chemical substances.



Make sure the combustion air is not fed through chimneys that were previously used with boilers or other central heating appliances powered by liquid or solid fuels. In fact, these may cause an accumulation of soot in the chimney

#### Risk of material damage after using sprays and liquids to search for leaks



Leak sprays and liquids clog the reference hole P.Ref. (Fig. 59) of the gas valve, damaging it irreparably. During installation and maintenance, do not use spray or liquids in the upper area of the gas valve (side referring to the electric connections).

#### Filling the condensate drain trap



**When the appliance is switched on for the first time, combustion products come out of the condensate drain. After a few minutes of operation, check that combustion flue gases are no longer coming out of the condensate drain; this means that the drain trap has filled to a correct condensate height that the flue gases cannot pass through.**

#### Special provisions for appliances installed in B23 or B53 configuration.



**Type B open chamber appliances must not be installed in places where commercial, artisan or industrial activities take place, which use products that may develop volatile vapours or substances (e.g. acid vapours, glues, paints, solvents, combustibles, etc.), as well as dusts (e.g. dust deriving from the working of wood, coal fines, cement, etc.). These may be damaging for the components of the appliance and jeopardise functioning.**



**In configuration B<sub>23</sub> and B<sub>53</sub>, unless local regulations are in force, the appliances must not be installed in bedrooms, bathrooms, toilets or studios; They must neither be installed in rooms containing solid fuel heat generators nor in rooms communicating with said rooms.**



**The installation rooms must be permanently ventilated, in compliance with the local regulations in force (at least 6 cm<sup>2</sup> for every kW of installed heat input, except in the event of any increases needed for electro-mechanical vacuum cleaners or other devices that could put the installation room under vacuum).**

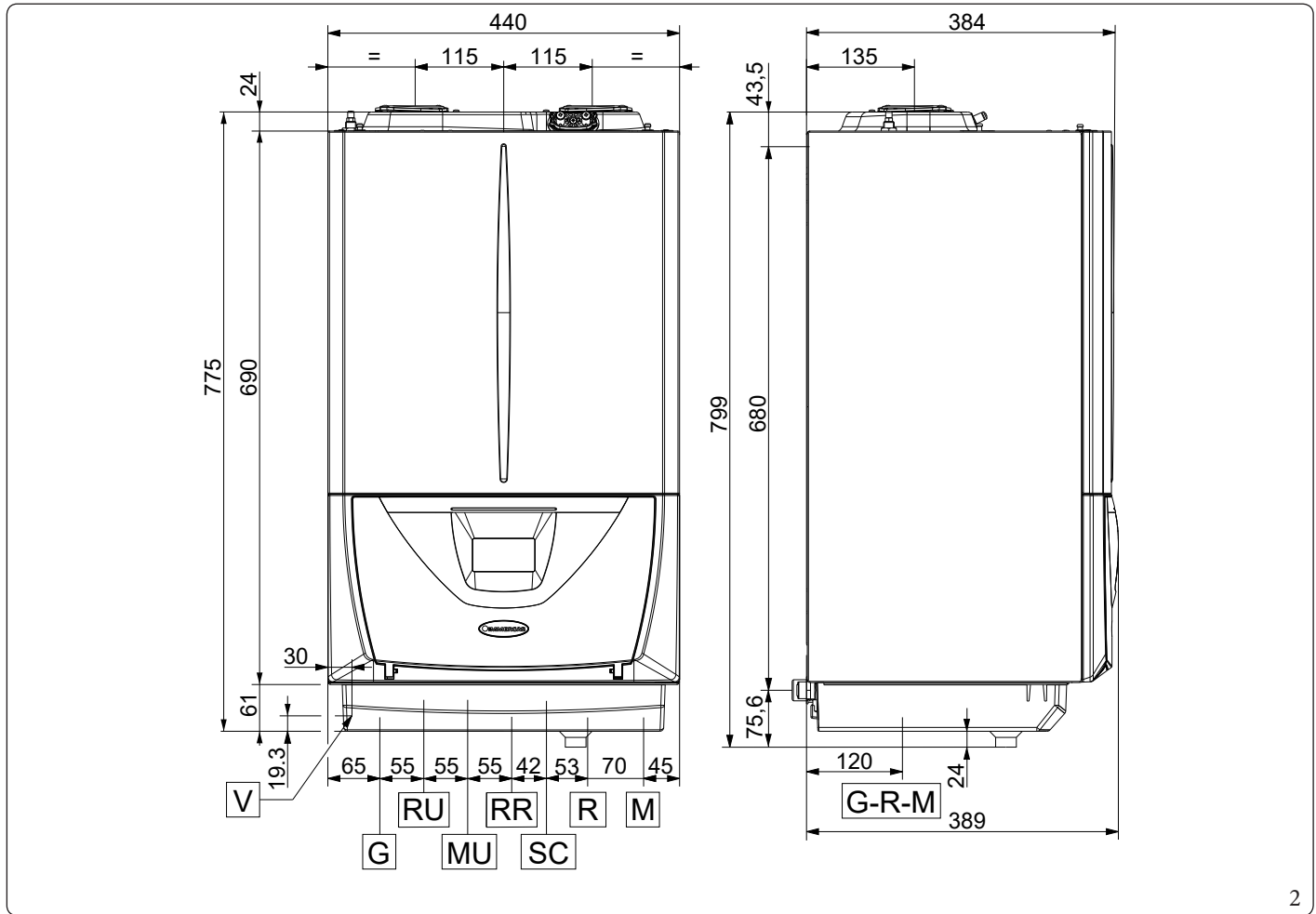


Install the appliances in B<sub>23</sub> and B<sub>53</sub> configuration in non-residential premises and which are permanently ventilated.



**Failure to comply with the above implies personal responsibility and invalidates the warranty.**

## 1.2 MAIN DIMENSIONS



2

Key (Fig. 2):

- V - Electrical connection
- G - Gas supply
- RU - Storage tank unit return
- MU - Storage tank unit flow

- RR - System filling
- SC - Condensate drain (minimum internal diameter  $\varnothing$  13 mm)
- R - System return
- M - System flow

| Height (mm)          |      | Width (mm) | Depth (mm)         |
|----------------------|------|------------|--------------------|
| 775                  |      | 440        | 389                |
| TEMPLATE CONNECTIONS |      |            |                    |
| SYSTEM               |      | GAS        | DOMESTIC HOT WATER |
| MU-RU                | M-R  | G          | RR                 |
| 3/4"                 | 3/4" | 3/4"       | 1/2"               |

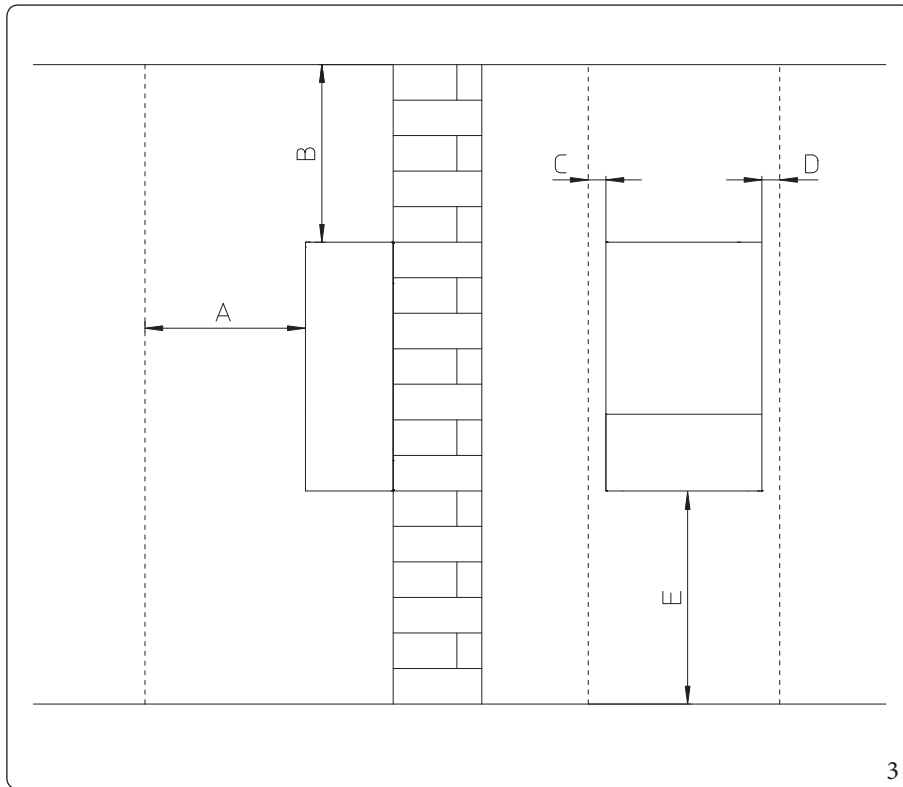
INSTALLER

USER

MAINTENANCE TECHNICIAN

TECHNICAL DATA

### 1.3 MINIMUM INSTALLATION DISTANCES



Key (Fig. 3):

- A - 450 mm
- B - 350 mm
- C - 30 mm
- D - 30 mm
- E - 350 mm

### 1.4 ANTIFREEZE PROTECTION

Appliance antifreeze protection is thus only ensured if:

- the appliance is correctly connected to gas and electricity power supply circuits;
- the appliance is powered constantly;
- the appliance is not in "off" mode.
- the appliance is not in anomaly conditions (Par. 2.9);
- the appliance essential components are not faulty.



The warranty does not cover damage due to interruption of the electrical power supply and failure to comply with that stated on the previous page.

To prevent the risk of freezing follow the instructions below:



The excessive use of glycol could jeopardise the proper functioning of the appliance.

- Protect the central heating circuit from freezing by inserting a good-quality antifreeze liquid into this circuit, which is specially suited for central heating systems and which is manufacturer guaranteed not to cause damage to the heat exchanger or other components of the appliance. The antifreeze liquid must not be harmful to one's health. The instructions of the manufacturer of this liquid must be strictly followed regarding the necessary percentage with respect to the minimum temperature at which the system must be kept.
- The materials used for the central heating circuit of Immergas appliances resist ethylene and propylene glycol based antifreeze liquids (if the mixtures are prepared perfectly).
- An aqueous solution must be made with potential pollution class of water 2 (EN 1717:2002 or local standards in force).



**Follow the supplier's instructions for the life cycle duration and possible disposal of the anti-freeze liquid.**



The water in the storage tank unit (if present) is not protected against freezing when the appliance is switched off.



The antifreeze systems described in this chapter are only to protect the appliance; the presence of these functions and devices does not exclude the possibility of parts of the system or domestic hot water circuit outside the appliance from freezing.

#### Minimum temperature -5°C

The appliance comes standard with an antifreeze function that activates the pump and burner when the system water temperature in the appliance falls below 4°C.



In these conditions, previously listed, the appliance is protected against freezing up to an ambient temperature of -5°C.



If the appliance is installed in a place where the temperature drops below -5°C, the appliance may freeze.



If the appliance is installed in places where the temperature falls below -5°C the domestic hot water and central heating attachment pipes and the condensate drain pipe must be insulated.

#### Minimum temperature -15°C

Protect the condensate drain siphon and the system fill-up pipe from freezing by using an accessory that is supplied on request (antifreeze kit), including an electric resistance, the relevant wiring and a control thermostat (carefully read the installation instructions in the accessory kit pack).

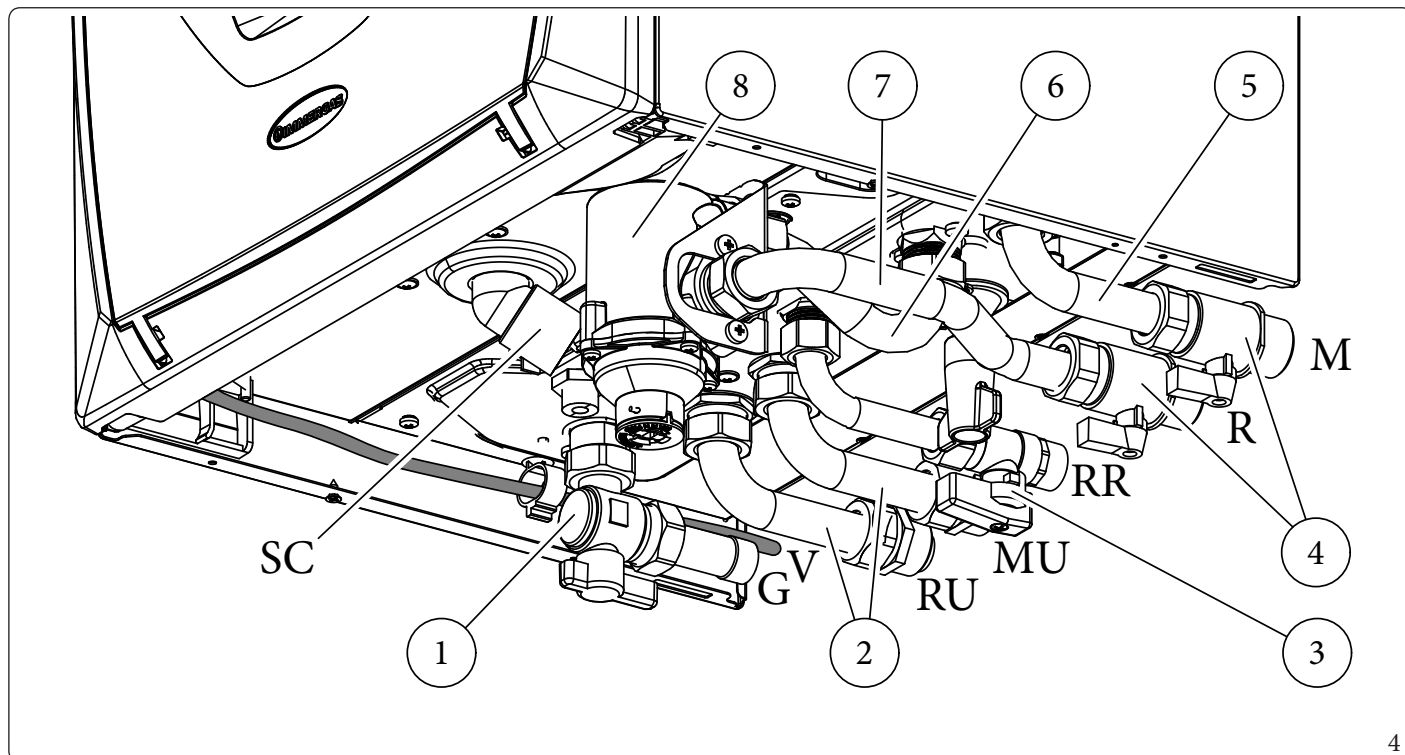


In the previously listed conditions and with the addition of the antifreeze kit, the appliance is protected against freezing up to a temperature of -15°C.

## 1.5 APPLIANCE CONNECTION UNIT

The connection unit consisting of all the necessary parts to perform the hydraulic and gas system connections of the appliance comes as standard with the boiler, perform the connections in accordance with the type of installation to be made and respecting the arrangement shown in the figure.

(Fig. 4):



4

The unit includes:

- 1 - Gas cock
- 2 - Ø 18 copper pipe
- 3 - Ball valve 1/2"
- 4 - 3/4" shut-off cock
- 5 - Ø 18 copper pipe
- 6 - Cycloidal filter copper pipe
- 7 - Cycloidal filter copper pipe
- 8 - Cycloidal filter unit

Key (Fig. 4):

- V - Electrical connection 230V-50Hz
- G - 3/4" gas supply
- RU - 3/4" storage tank unit return
- MU - 3/4" storage tank unit flow
- RR - System filling 1/2"
- R - 3/4" system return
- M - 3/4" System flow
- SC - Condensate drain (minimum internal diameter Ø13 mm)

## 1.6 GAS CONNECTION

Our appliances are built to work with natural gas (G20), LPG and mixtures of methane and hydrogen at 20% in volume (G20Y20). Power supply pipes must be the same as or larger than the appliance fitting.



Before connecting the gas line, carefully clean inside all the fuel feed system pipes to remove any residue that could impair appliance efficiency.

Also make sure the gas corresponds to that for which the appliance is prepared (see appliance data nameplate).

If different, the boiler must be converted for operation with the other type of gas (see converting appliance for other gas types).



**It is also important to check the dynamic pressure of the mains (methane or LPG) used to supply the boiler, which must comply with EN 437 and its attachment, as insufficient levels may reduce generator output and cause discomfort to the user.**

**Static/dynamic network pressures higher than those required for regular operation may cause serious damage to the appliance control elements; in this case shut the gas line off.**

**Do not operate the device.**

**Have the device checked by experienced personnel.**



According to the local regulation in force, make sure that a gas cock is installed upstream of each connection between the appliance and the gas system. This cock, if supplied by the appliance's manufacturer, can be directly connected to the appliance (i.e. downstream from the pipes connecting the system to the appliance), according to the manufacturer's instructions.

The Immergas connection unit, supplied as an optional kit, also includes the gas cock, whose installation instructions are provided in the kit.

In any case, make sure the gas cock is connected properly.

The gas supply pipe must be suitably dimensioned according to current regulations in order to guarantee correct gas flow rate to the burner even in conditions of maximum generator output and to guarantee appliance efficiency (technical specifications).

The coupling system must conform to standards in force (EN 1775).

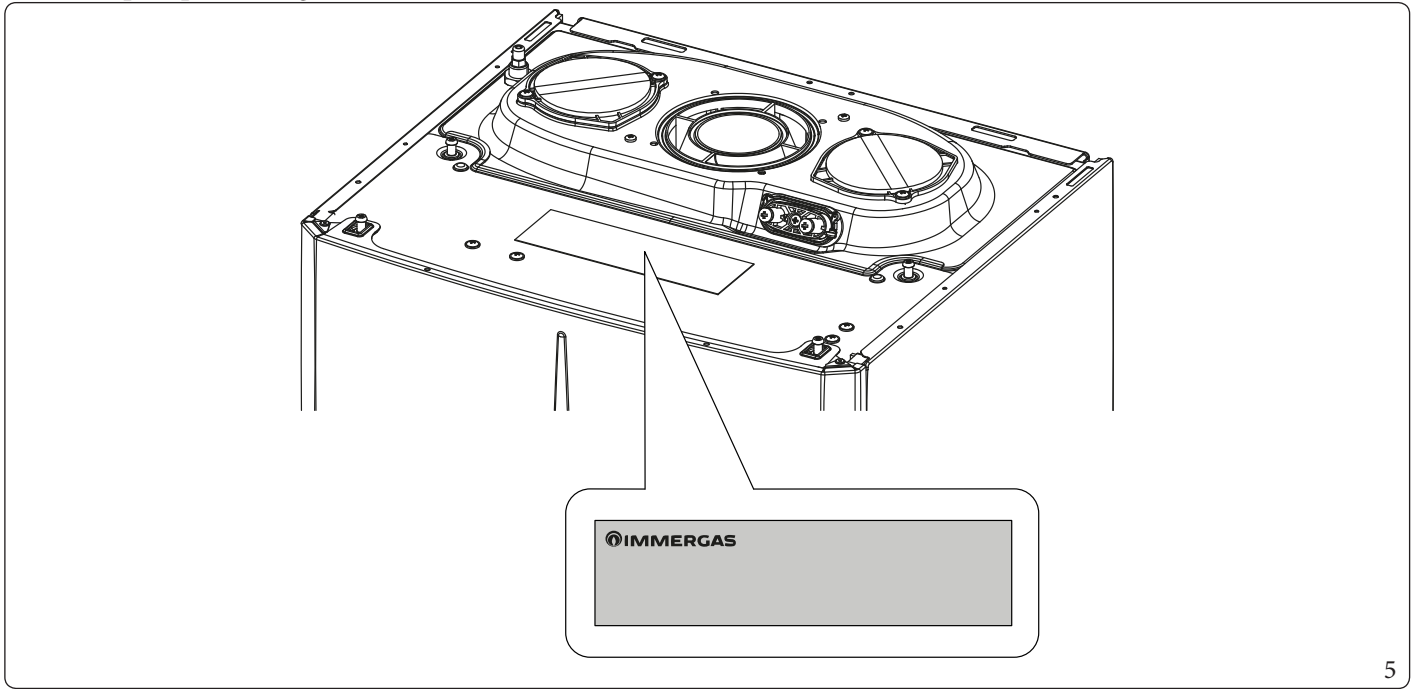


The appliance is designed to operate with fuel gas free from impurities; otherwise it is advisable to fit special filters upstream of the appliance to restore the purity of the fuel.

### Storage tanks (in case of supply from LPG depot).

- New LPG storage tanks may contain residual inert gases (nitrogen) that degrade the mixture delivered to the appliance causing functioning anomalies.
- Due to the composition of the LPG mixture, layering of the mixture components may occur during the period of storage in the tanks. This can cause a variation in the calorific value of the mixture delivered to the appliance, with subsequent change in its performance.

## Data nameplate positioning



5

## 1.7 HYDRAULIC CONNECTION



In order not to void the condensation module warranty before making the boiler connections, carefully clean the heating system (pipes, radiators, etc.) with special pickling or descaling products to remove any deposits that could compromise correct boiler operation.

### 3 bar safety valve

The drain of the safety valve must always be properly conveyed to a draining funnel; consequently, in case of valve operation, the leaked fluid will end up in the sewer system.

### Condensate drain

To drain the condensate produced by the appliance, it is necessary to connect to the drainage system by means of acid condensate resistant pipes, with an internal  $\varnothing$  of at least 13 mm.

The system connecting the appliance to the drainage system must be carried out in such a way as to prevent occlusion and freezing of the liquid contained in it.

Before appliance ignition, ensure that the condensate can be correctly removed. After first ignition, check that the drain trap is filled with condensate.

Also, comply with national and local regulations on discharging waste waters.

In the event condensate is not discharged into the wastewater drainage system, a condensate neutraliser must be installed to ensure compliance with the parameters established by the legislation in force.

A treatment of the heating and water system water is required, in compliance with the technical standards in force, in order to protect the system and the appliance from deposits (e.g. scale), slurry or other hazardous deposits.

In order not to void the heat exchanger warranty, you are required to comply with what has been prescribed (Par. 1.28).

Hydraulic connections must be made in a rational way using the couplings on the appliance template.



The manufacturer declines all liability in the event of damage caused by the installation of an automatic filling system.

In order to meet the system requirements established by EN 1717 in terms of pollution of drinking water, we recommend installing the IMMERGAS anti-backflow kit to be used upstream of the cold water inlet connection of the appliance. We also recommend using category 2 heat transfer fluid (e.g.: water+ glycol) in the appliance's primary circuit (C.H. circuit), as defined in standard EN 1717.



To preserve the duration of appliance efficiency features, in the presence of water whose features can lead to the deposit of lime scale, installation of the "polyphosphate dispenser" kit is recommended.



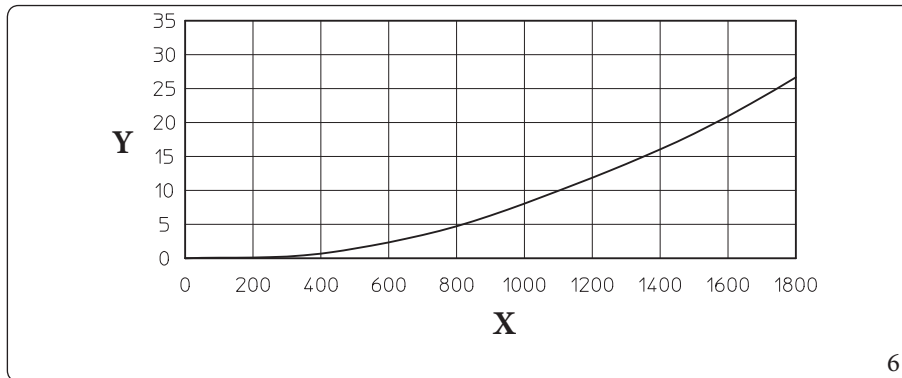
## 1.8 CYCLOIDAL FILTER UNIT

The magnetic cycloidal filter is supplied as standard in the appliance. Allows to detect the ferrous residues present in the system's water. Thanks to the two cocks it facilitates maintenance by cleaning the filter without having to empty the circuit. Install the cycloidal filter on the system return connection using the pipes as shown in the figure below.

### Head loss chart

The graph shows the head loss curve of the cycloidal filter.

Fig. 6:



Key (Fig. 6):

- X - Water flow rate (l/h)
- Y - Head losses (kPa)

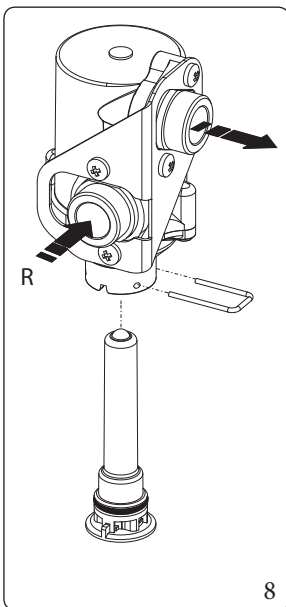
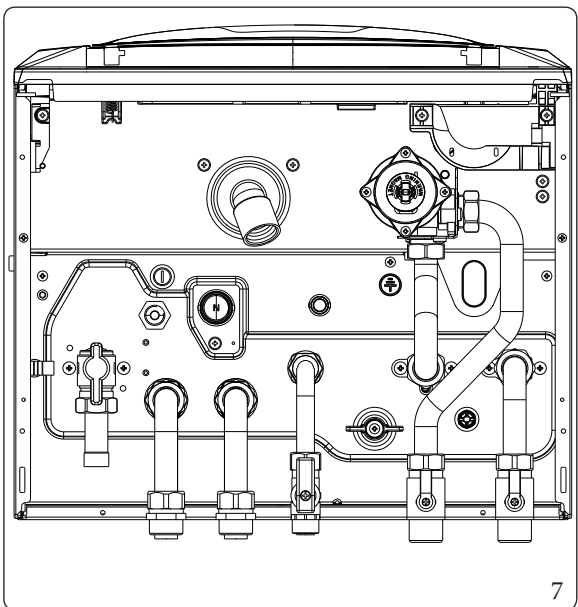
### Cleaning the filter

1. Disconnect the appliance from the power supply, close the cock upstream of the filter, partially discharge the hydraulic circuit pressure and then close the second shut-off cock.

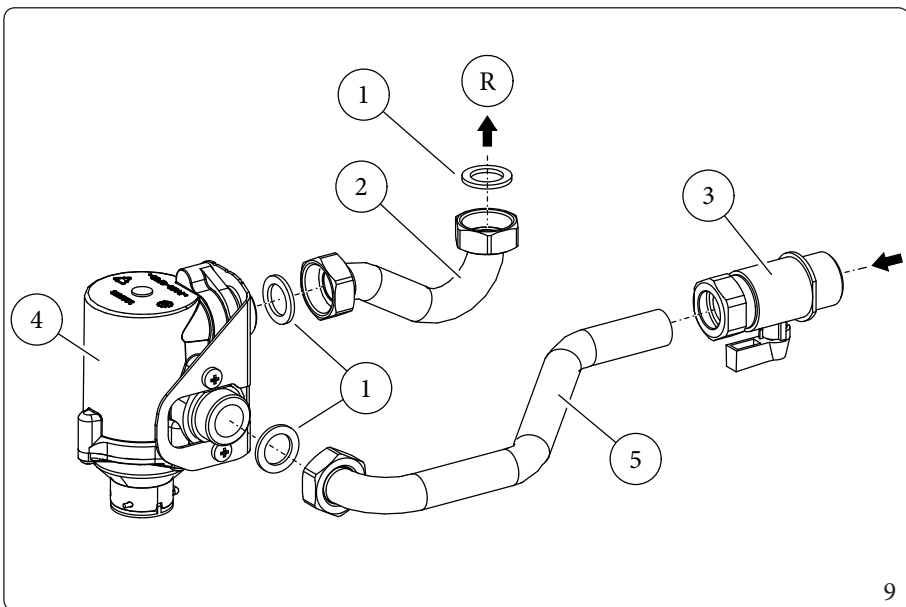


**Check that the temperature of the system return water is not too hot otherwise take precautions to avoid burns.**

2. Place a container under the filter to collect the water contained in it.
3. Remove the clip and pull out the magnetic cartridge by pulling it downwards.
4. Clean the cartridge with a clean cloth and under running water.
5. Put the magnetic cartridge back in place, making sure that the centring pins match and that the sealing O-ring is not damaged. If necessary, replace it with a new one.
6. Lock the magnetic cartridge in place with the clip.
7. Open the two shut-off cocks and restore power to the appliance to bring it back to normal operating conditions; at the same time check the operating pressure of the appliance and, if necessary, restore it to a correct value.



Key (Fig. 8):  
R - System return



Key (Fig. 9):  
1 - Flat gaskets  
2 - Return connection pipe  
3 - Interception cock  
4 - Cycloidal filter  
5 - System flow connection pipe

## 1.9 ELECTRICAL CONNECTION

The appliance has an IPX5D protection degree; electrical safety of the appliance is achieved only when it is connected properly to an efficient earthing system, as specified by current safety standards.



The manufacturer declines any responsibility for damage or physical injury caused by failure to connect the appliance to an efficient earthing system or failure to comply with the IEC reference standards.



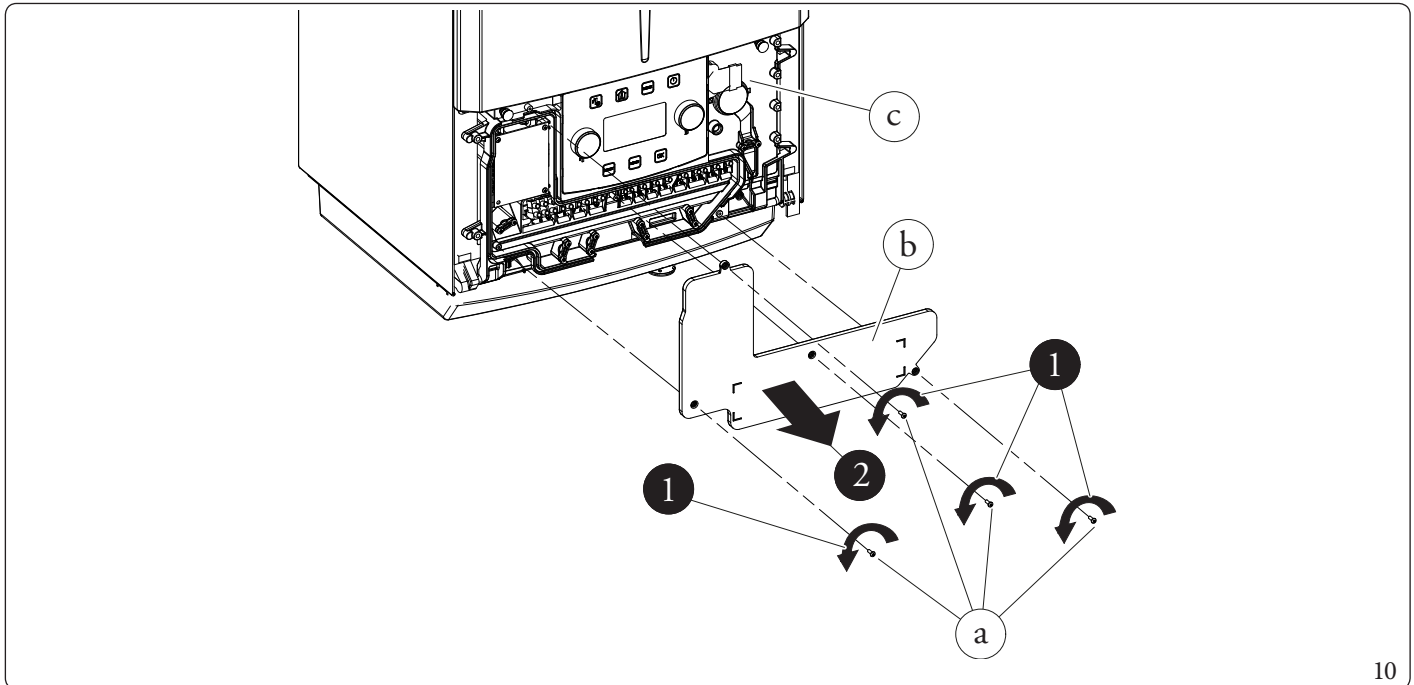
Open the control panel connections compartment (Fig. 10).



**The power supply cable must be connected to a 230V  $\pm$ 10% / 50Hz mains supply respecting L-N polarity and earth connection; this network must also have a multi-pole circuit breaker with class III overvoltage category in compliance with installation regulations.**

To carry out electrical connections, all you have to do is open the connections compartment as follows.

1. Remove the front panel (Fig. 73 - 74)
2. Loosen the screws (a).
3. Remove the cover (b) from the control panel (c).



At this point, you can access the terminal board.

Also ensure that the electrical installation corresponds to maximum absorbed power specifications as shown on the appliance data nameplate.

The boilers are supplied complete with a “Y” type H 05 VVF 3 x 0.75 mm<sup>2</sup> power supply cable, without plug.



**To protect from possible dispersions of DC voltage, it is necessary to provide a type A differential safety device.**



**If the power cable is damaged, contact a qualified company (e.g. the Authorised Technical Assistance Centre) for its replacement to avoid a hazard.**

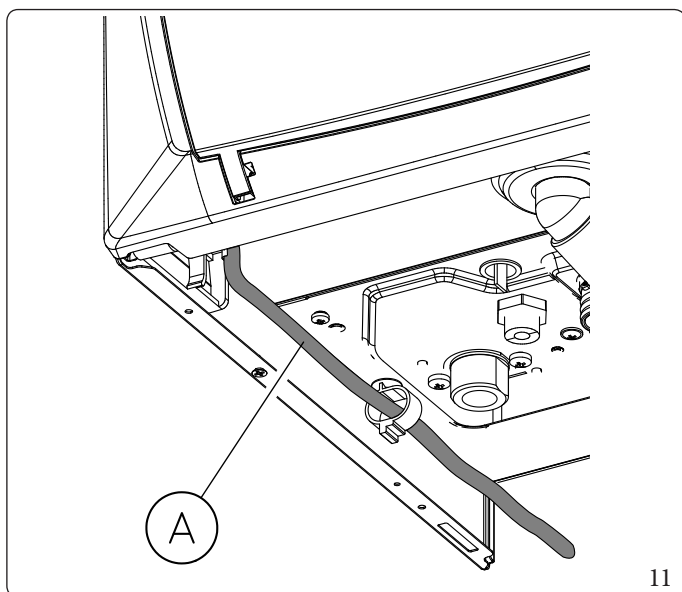
The power cable must be laid as shown (Fig. 11);

If the network fuse on the P.C.B. needs replacing, this must also be done by qualified personnel: use a 5x20 250V 3.15 A fast fuse.

For the main power supply to the appliance, never use adapters, multiple sockets or extension leads.



Connect terminals 36 and 37 to electrically connect the appliance and any storage tank unit, eliminating resistance R8 in the appliance (Fig. 56):



Key (Fig. 11):

A - Power supply cable

#### Installation with system operating at direct low temperature

The appliance can directly feed a low temperature system by acting on the "MENU - SERVICE - CENTRAL HEATING" parameter (Par. 2.8) and setting the flow temperature adjustment range "CH MIN SET" and "CH MAX SET"; in this situation, it is advisable to insert a safety device consisting of a thermostat with a limit temperature of 55°C in series with the appliance power supply.

Execute connection to terminal boards 14 and 15, eliminating jumper X70 (Fig. 56).

The thermostat must be positioned on the system flow pipe at a distance of at least 2 metres from the appliance.

## 1.10 REMOTE CONTROLS AND ROOM CHRONO-THERMOSTATS (OPTIONAL)

The appliance is set up for room chrono-thermostats or remote controls, available as optional kits.

All Immergas chrono-thermostats are connected with 2 wires only.

Carefully read the user and assembly instructions contained in the accessory kit.



**Disconnect power to the unit before making any electrical connections.**

### “Comando Amico Remoto” (Remote Control Device) <sup>V2</sup> (CAR<sup>V2</sup>) with climate chrono-thermostat function.

In addition to the functions described in the previous point, the CAR<sup>V2</sup> panel enables the user to control all the important information regarding operation of the appliance and the heating system with the opportunity to easily intervene on the previously set parameters, without having to go to where the appliance is installed.

The panel is equipped with self-diagnosis to show any appliance operating anomalies on the display.

The climate chrono-thermostat incorporated into the remote panel enables the system flow temperature to be adjusted to the actual needs of the room being heated, in order to obtain the desired room temperature with extreme precision and therefore with evident saving in running costs.

The CAR<sup>V2</sup> is fed directly by the appliance by means of the same 2 wires used for the transmission of data between the appliance and device.



In case the system is divided into more zones, the CAR<sup>V2</sup> can only manage zone 1.

In multi-zone systems it is possible to manage a “modulating” radiator flow temperature for each zone in case of wireless room probes (optional) presence.

### “Comando Amico Remoto” (Remote Control Device) <sup>V2</sup> or On/Off chrono-thermostat electrical connection (Optional).



**The operations described below must be performed after having removed the voltage from the appliance.**

Any room thermostat or ON-OFF must be connected to terminals 40 and 41 eliminating jumper X40.

Any CAR<sup>V2</sup> must be connected to terminals 44 and 41 complying with the polarity **without eliminating jumper X40**.

Make sure that the On/Off thermostat contact is of the “clean” type, i.e. independent of the mains voltage, otherwise the P.C.B. would be damaged.



If the Comando Amico Remoto remote control <sup>V2</sup> or any other On/Off chrono-thermostat is used arrange two separate lines in compliance with current regulations regarding electrical systems.

No appliance pipes must ever be used to earth the electric system or telephone lines.

Ensure elimination of this risk before making the appliance electrical connections.

### Dialogue to remote devices (Optional)



Any remote devices must be connected to terminals 44-41 **without eliminating jumper X40**.

On this path it is possible to select different remote control modes:

#### Assistance/Inputs/Remote control

- **Remote control = IMG BUS:** it is the default condition for correct dialogue with the CAR<sup>V2</sup> devices. In this condition, the selection of the operating mode, DHW (Domestic hot water) set, central heating / C.H. set and the central heating / C.H. request (for zone 1 in case of system divided into several zones) are fully managed by CAR<sup>V2</sup>. The anti-legionella function can be activated on the appliance in the usual way.
- **Remote control = 1:** it is possible to manage the DHW Mode entirely and solely via the appliance (set, boost, anti-legionella management). This type of dialogue is recommended for commercial remote devices, other than CAR<sup>V2</sup>. The remote control will remain in control of the “Operating mode”, “Set Central heating / C.H.” and “Central heating / C.H. demand”.
- **Remote control = 2:** to be selected for the connection of the boilers to the EBV cascade and zone regulator.

### 1.11 EXTERNAL TEMPERATURE PROBE (OPTIONAL)

The appliance is designed for the application of the external probe (Fig. 12) which is available as an optional kit.

Refer to the relative instruction sheet for positioning of the external probe.

The probe can be connected directly to the appliance electrical system and allows the max. system flow temperature to be automatically decreased when the external temperature increases, in order to adjust the heat supplied to the system according to the change in external temperature.

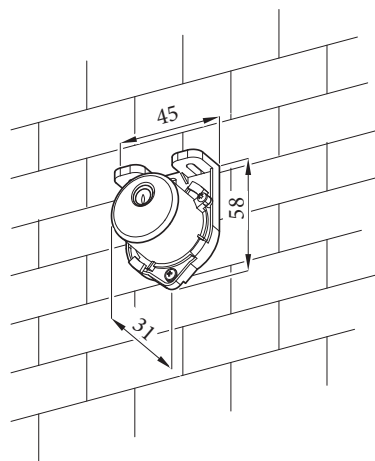
The external probe always operates when connected, regardless of the presence or type of room chrono-thermostat used and can work in combination with Immergas chrono-thermostats and wireless room probes.

If wireless room probes are used, it is possible to activate or deactivate the action of the external probe for each individual zone in use, by acting on the parameter in the zone menu.

The electric connection of the external probe must be made on terminals 38 and 39 on the terminal board on the appliance control panel (Fig. 56).



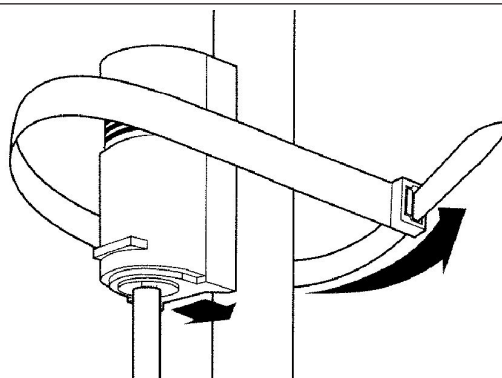
If the probe is used, it is mandatory to set up two separate lines in compliance with current regulations regarding electrical systems.



12

### 1.12 FLOW TEMPERATURE PROBE (OPTIONAL)

The sensor must be positioned on the central heating system flow pipe common to all requesting zones, downstream of any by-pass on the system return, in order to measure the actual temperature “detected” by each requesting zone.



13

The probe must be connected to the appliance terminal board terminals 38 and 20 using electrical cables with section between 0.3 and 1.5 sq.mm.



If the probe is used, it is mandatory to set up two separate lines in compliance with current regulations regarding electrical systems.

It is necessary to activate the temperature control function on the flow probe on the appliance parameter by accessing the Menu with "Service" recognition at the path:

**Service\Inputs\Configurable input**

And setting Configurable inlet= Flow temp

By reading the flow probe, it will be possible to permit the appliance to increase the central heating / C.H. system flow temperature (with respect to the set obtained from the normal management of the central heating / C.H. requests).

The maximum increase can be set on the appliance parameter menu.

To vary the maximum increase value, access the Menu with "Service" credentials to path:

**Service\Central Heating>Edit max common flow probe**

This parameter setting can vary from 5 to 15°C (default 5°C).



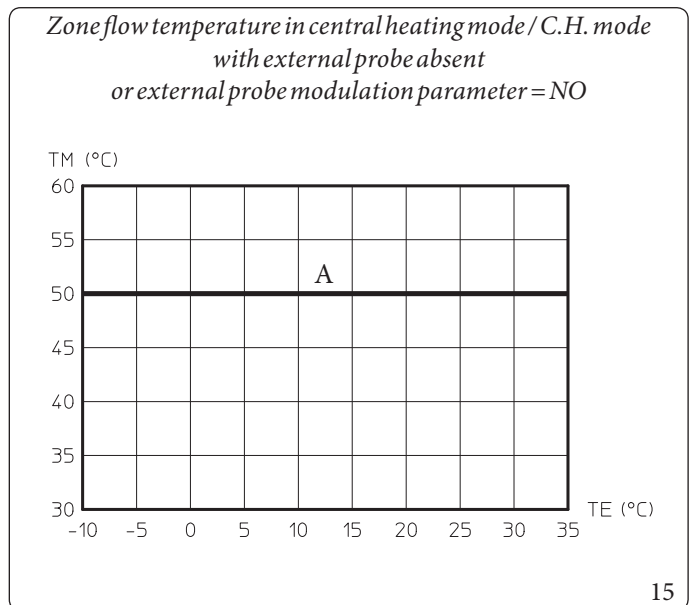
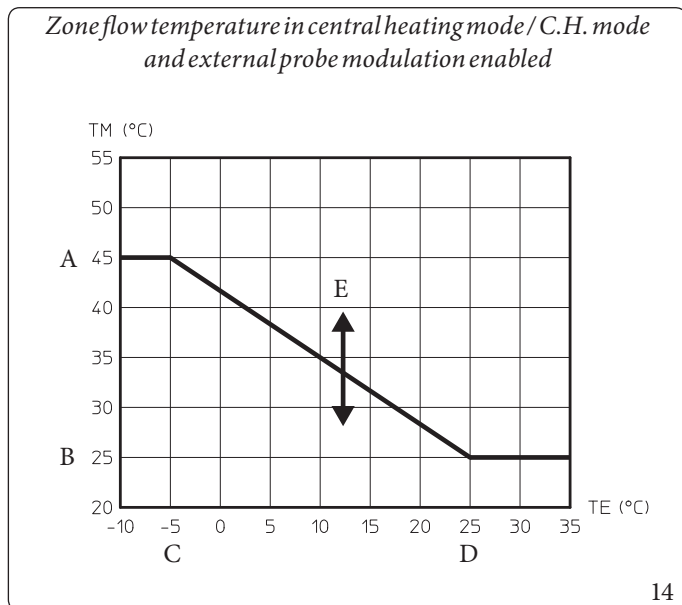
On the display, the central digits will always show the appliance outlet temperature.  
With flow probe in correction, it will be higher than the required central heating / C.H. set.

**1.13 TEMPERATURE CONTROL SETTING**

By setting the parameters in the "Zones/Definition/Regulation" menus (with Service access), it is possible to automatically adjust the flow temperature of each zone according to the outdoor temperature.

This can be done by enabling the external probe modulation in the menu "Zones/Definition/Regulation" (Default = Yes).

The curves (Fig. 14, 15) show the default settings in the various operating modes available both with external probe and without.



Key (Fig. 14, 15)

- TE - Outside temperature
- TM - Flow temperature
- A - Maximum flow set
- B - Minimum flow set\*
- C - Minimum external temperature\*
- D - Maximum external temperature \*
- E - Climatic curve offset

\*Functions reserved for Service

## 1.14 IMMERGAS FLUE SYSTEMS

Immergas supplies various solutions separately from the appliances regarding the installation of air intake terminals and flue extraction, which are fundamental for appliance operation.



The appliance must be installed with an original Immergas “Green Range” inspectionable air intake system and flue gas extraction system made of plastic, with the exception of configuration C<sub>6</sub>, as required by the regulations in force and by the product’s approval. This flue can be identified by an identification mark and special distinctive marking bearing the note "only for condensation boilers".

For non-original flue system, refer to the technical data of the appliance.



The plastic pipes cannot be installed outdoors, for tracts longer than 40 cm, without suitable protection from UV rays and other atmospheric agents.

### Resistance factors and equivalent lengths

Each flue component has a Resistance Factor based on experimental tests and specified in the table in Paragraph 1.15..

The Resistance Factor for individual components is independent from the type of appliance on which it is installed and has a dimensionless size.

It is however, conditioned by the temperature of the fluids that pass through the pipe and therefore, varies according to applications for air intake or flue exhaust.

Each single component has a resistance corresponding to a certain length in metres of pipe of the same diameter; the so-called equivalent length, can be obtained from the ratio between the relative Resistance Factors.

Example: Bend 90° Ø80 Intake Resistance Factor = 1.9; Pipe Ø80 m1 Intake Resistance Factor = 0.87; equivalent length Bend 90° Ø80 =  $1.9 : 0.87 = 2.2$  m of Pipe Ø80 in intake.

Similarly, each single component has a resistance corresponding to a certain length in m of pipe of another diameter, e.g. 90° concentric bend Ø60/100 Resistance Factor = 8.2; Ø80 m1 pipe in exhaust Resistance Factor = 1.2; Equivalent Length 90° bend Ø60/100 =  $8.2 : 1.2 = 6.8$  m of Ø80 pipe in exhaust.

**All boilers have an experimentally obtainable maximum Resistance Factor (R) equal to 100.**

The maximum Resistance Factor allowed corresponds to the resistance encountered with the maximum allowed pipe length for each type of Terminal Kit.

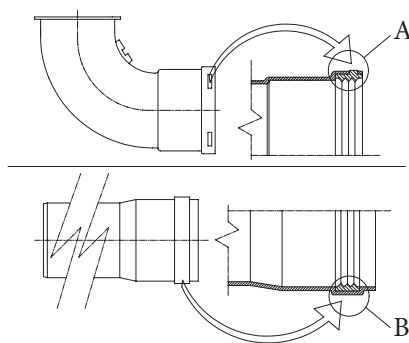
This information allows calculations to be made to verify the possibility of setting up various flue configurations.

### Positioning the gaskets (black) for “green range” flue systems.

Position the gasket correctly (for bends and extensions) (Fig. 16):

- gasket (A) with notches, to use for bends;
- gasket (B) without notches, to use for extensions.

If necessary, to ease the push-fitting, spread the elements with commonly-used talc.



16



### Extension pipes and concentric elbows push-fittings.

To install push-fitting extensions with other elements of the flue, proceed as follows:

- Install the concentric pipe or elbow with the male side (smooth) on the female side (with lip seal) to the end stop on the previously installed element in order to ensure sealing efficiency of the coupling.



If the exhaust terminal and/or extension concentric pipe needs shortening, consider that the internal duct must always protrude by 5 mm with respect to the external duct.

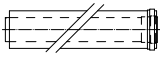


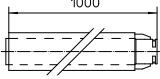
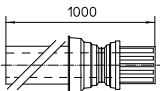
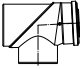
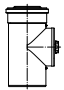



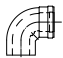


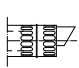
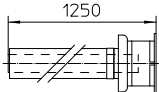
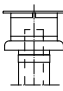
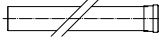
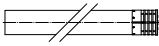
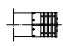


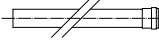


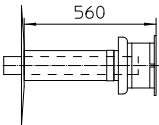
**For safety purposes, do not even temporarily obstruct the appliance intake/exhaust terminal. The various parts of the flue system must be checked to ensure that they have been laid in such a way as to prevent the coupled parts from detaching, in particular, the flue exhaust duct in the Ø80 separator kit configuration. If the condition described above is not adequately guaranteed, it will be necessary to use the appropriate retaining clamp kit.**



When installing horizontal pipes, a minimum inclination of 1.5% towards the appliance must be maintained, and a section clamp with plug must be installed every 3 metres.

### 1.15 TABLES OF RESISTANCE FACTORS AND EQUIVALENT LENGTHS OF “GREEN RANGE” FLUE SYSTEM COMPONENTS

| TYPE OF DUCT   |   | Resistance Factor (R) | Equivalent length in m of concentric pipe Ø 80/125 |
|--|---|-----------------------|--|
| Concentric pipe 80/125 Ø m 1   |  | 2,1                   | 1  |
| 90° concentric bend 80/125 Ø   |  | 3,0                   | 1,4  |
| Concentric bend 45° Ø 80/125   |  | 2,1                   | 1  |
| Terminal complete with concentric horizontal intake-exhaust Ø 80/125 |  | 2,8                   | 1,3  |
| Terminal complete with concentric vertical intake-exhaust Ø 80/125   |  | 3,6                   | 1,7  |
| 90° concentric bend Ø 80/125 with inspection                         |  | 3,4                   | 1,6  |
| Stub pipe with inspection Ø 80/125                                   |  | 3,4                   | 1,6  |

| TYPE OF DUCT   |   | Resistance factor (R) | Equivalent length in m of concentric pipe Ø 60/100 | Equivalent length in m of pipe Ø 80 | Equivalent length in m of pipe Ø 60 | Equivalent length in m of concentric pipe Ø 80/125 |
|--|---|-----------------------|--|-------------------------------------|-------------------------------------|--|
| Concentric pipe Ø 60/100 m 1   |    | Intake m 6.4          | m 1  | Intake m 7.3                        | Exhaust m 1.9                       | m 3,0  |
|  |   | Exhaust m 6.4         |  | Exhaust m 5.3                       |                                     |  |
| 90° concentric bend Ø 60/100   |    | Intake m 8.2          | m 1,3  | Intake m 9.4                        | Exhaust m 2.5                       | m 3,9  |
|  |   | Exhaust m 8.2         |  | Exhaust m 6.8                       |                                     |  |
| 45° concentric bend Ø 60/100   |    | Intake m 6.4          | m 1  | Intake m 7.3                        | Exhaust m 1.9                       | m 3,0  |
|  |   | Exhaust m 6.4         |  | Exhaust m 5.3                       |                                     |  |
| Terminal complete with concentric horizontal intake-exhaust Ø 60/100 |    | Intake m 15           | m 2,3  | Intake m 17.2                       | Exhaust m 4.5                       | m 7,1  |
|  |   | Exhaust m 15          |  | Exhaust m 12.5                      |                                     |  |
| Concentric horizontal intake-exhaust terminal Ø 60/100               |    | Intake m 10           | m 1,5  | Intake m 11.5                       | Exhaust m 3.0                       | m 4,7  |
|  |   | Exhaust m 10          |  | Exhaust m 8.3                       |                                     |  |
| Terminal complete with concentric vertical intake-exhaust Ø 60/100   |    | Intake m 16.3         | m 2,5  | Intake m 18.7                       | Exhaust m 4.9                       | m 7,7  |
|  |   | Exhaust m 16.3        |  | Exhaust m 13.6                      |                                     |  |
| Concentric vertical intake-exhaust terminal Ø 60/100                 |    | Intake m 9            | m 1,4  | Intake m 10.3                       | Exhaust m 2.7                       | m 4,3  |
|  |   | Exhaust m 9           |  | Exhaust m 7.5                       |                                     |  |
| Pipe Ø 80 m 1  |    | Intake m 0.87         | m 0,1  | Intake m 1.0                        | Exhaust m 0.4                       | m 0,4  |
|  |   | Exhaust m 1.2         | m 0,2  | Exhaust m 1.0                       |                                     | m 0,5  |
| Complete intake terminal Ø 80 m 1                                    |    | Intake m 3            | m 0,5  | Intake m 3.4                        | Exhaust m 0.9                       | m 1,4  |
| Intake terminal Ø 80<br>Exhaust terminal Ø 80                        |   | Intake m 2.2          | m 0,35   | Intake m 2.5                        | Exhaust m 0.6                       | m 1  |
|  |   | Exhaust m 1.9         | m 0,3  | Exhaust m 1.6                       |                                     | m 0,9  |
| 90° bend Ø 80  |  | Intake m 1.9          | m 0,3  | Intake m 2.2                        | Exhaust m 0.8                       | m 0,9  |
|  |   | Exhaust m 2.6         | m 0,4  | Exhaust m 2.1                       |                                     | m 1,2  |
| 45° bend Ø 80  |  | Intake m 1.2          | m 0,2  | Intake m 1.4                        | Exhaust m 0.5                       | m 0,5  |
|  |   | Exhaust m 1.6         | m 0,25   | Exhaust m 1.3                       |                                     | m 0,7  |
| Pipe Ø 60 m 1 for ducting  |  | Exhaust m 3.3         | m 0,5  | Intake m 3.8                        | Exhaust m 1.0                       | m 1,5  |
|  |   |                       |  | Exhaust m 2.7                       |                                     |  |
| 90° bend Ø 60 for ducting  |  | Exhaust m 3.5         | m 0,55   | Intake m 4.0                        | Exhaust m 1.1                       | m 1,6  |
|  |   |                       |  | Exhaust m 2.9                       |                                     |  |
| Reduction Ø 80/60  |  | Intake m 2.6          | m 0,4  | Intake m 3                          | Exhaust m 0.8                       | m 1,2  |
|  |   | Exhaust m 2.6         |  | Exhaust m 2.1                       |                                     |  |
| Terminal complete with vertical exhaust Ø 60 for piping              |  | Exhaust m 12.2        | m 1,9  | Intake m 14                         | Exhaust m 3.7                       | m 5,8  |
|  |   |                       |  | Exhaust m 10.1                      |                                     |  |

## 1.16 OUTDOOR INSTALLATION IN PARTIALLY PROTECTED AREA



By partially protected area, we mean one in which the unit is not directly exposed to the elements (rain, snow, hail, etc.).



If the appliance is installed in a place where the ambient temperature drops below  $-5^{\circ}\text{C}$ , use the optional antifreeze kit, checking the ambient operating temperature range shown in the technical data table in this instruction booklet.



This type of installation is possible when permitted by the laws in force in the appliance's country of destination.

### Configuration type B, open chamber and fan assisted ( $B_{23}$ or $B_{53}$ ).

Using the relevant cover kit, direct air intake is possible and flue gas is exhausted into a single flue or directly to the outside. In this configuration it is possible to install the appliance in a partially protected place. In this configuration the appliance is classified as type B.

With this configuration:

- air intake takes place directly from the environment in which the appliance is installed (external);
- the flue gas exhaust must be connected to its own single chimney ( $B_{23}$ ) or ducted directly outside via a vertical terminal for direct exhaust ( $B_{53}$ ) or via an Immergas ducting system ( $B_{53}$ ).

The technical regulations in force must be respected.

### Cover kit assembly (Fig. 18).

Remove the cap and gasket from the intake hole.

Install the  $\varnothing 80$  outlet flange on the hole in correspondence with the flange with sample points of the appliance, taking care to insert the gasket supplied with the kit and tighten by means of the screws provided.

Install the upper cover, fixing it using the 4 screws present in the kit, positioning the relevant gaskets.

Engage the  $90^{\circ}$   $\varnothing 80$  bend with the male end (smooth) in the female end (with lip seal) of the  $\varnothing 80$  flange unit to the end stop. Introduce the gasket, making it run along the bend. Fix it using the metal sheet plate and tighten by means of the clips present in the kit, making sure to block the 4 gasket flaps.

Fit the male end (smooth) of the exhaust pipe into the female end of the  $90^{\circ}$  bend or  $\varnothing 80$  extension, making sure that the relevant wall sealing plate is already fitted; this will ensure hold and joining of the elements making up the kit.

### Max. length of exhaust duct.

The flue pipe (both vertical or horizontal) can be extended to a max. length of 30 linear metres.

### Coupling of extension pipes.

To install push-fitting extensions with other elements of the flue, proceed as follows: Couple the pipe or elbow with the male side (smooth) in the female side (with lip seal) to the end stop on the previously installed element. This will ensure sealing efficiency of the coupling.

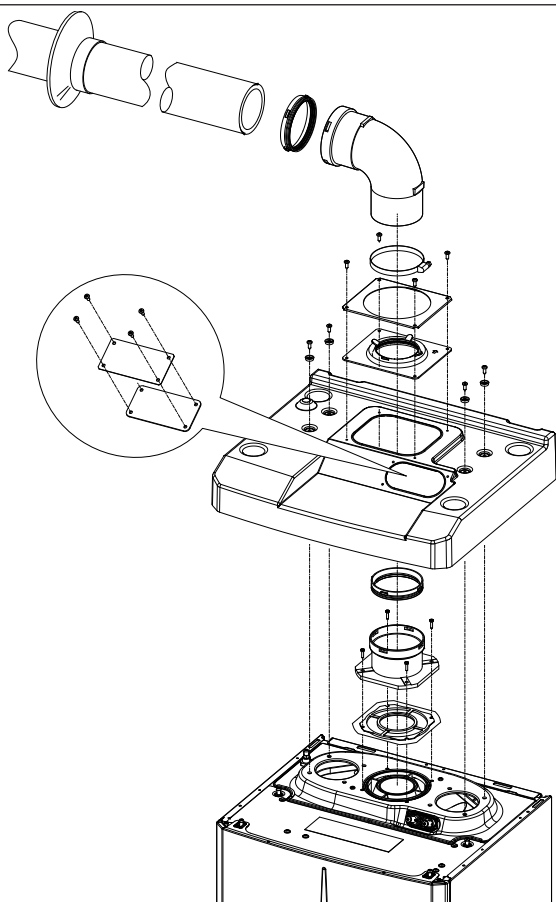
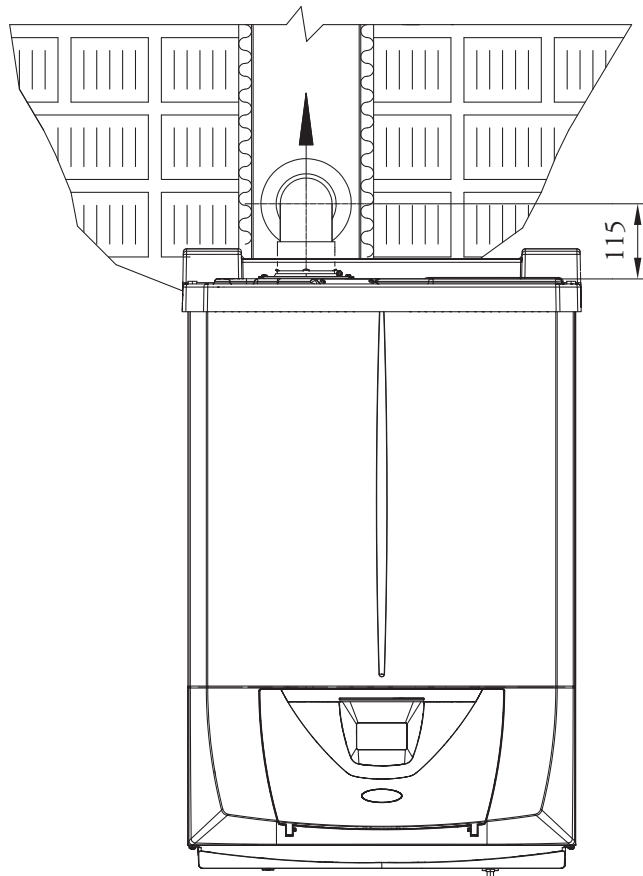
### Configuration without cover kit in a partially protected location (type C appliance).

By leaving the side plugs fitted it is possible to install the appliance externally without the cover kit.

Installation takes place using the  $\varnothing 60/100$  and  $\varnothing 80/125$  concentric intake/ exhaust kits. Refer to the paragraph on indoor installation.

In this configuration the Top cover kit guarantees an additional protection for the boiler. It is recommended with  $\varnothing 60/100$  concentric and it is mandatory with  $\varnothing 80$  exhaust.

The  $\varnothing 80/80$  separating device cannot be used in this configuration (coupled with the cover kit).



The cover kit includes (Fig. 18):

- N°1 Thermoformed cover
- N°1 Gasket clamping plate
- N°1 Gasket
- N°1 Gasket tightening clip
- N°1 Flange plate with sample points

The terminal kit includes (Fig. 18):

- N°1 Gasket
- N°1 Exhaust flange Ø 80
- N°1 Ø 80 90° bend
- N°1 Exhaust pipe Ø 80
- N°1 Wall sealing plate

## 1.17 CONCENTRIC HORIZONTAL KIT INSTALLATION

### Type C configuration, sealed chamber and fan assisted

The position of the terminal (in terms of distances from openings, overlooking buildings, floor, etc.) must be in compliance with the regulations in force.

This terminal is connected directly to the outside of the building for air intake and flue gas exhaust.

The horizontal kit can be installed with the rear, right side, left side or front outlet.

For installation with frontal outlet, one must use the fixing plate and a concentric bend coupling in order to ensure sufficient space to carry out the tests required by law upon commissioning.

### External grid

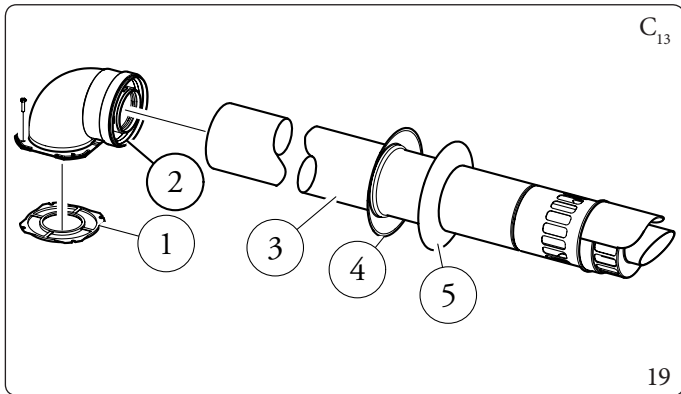
Both the  $\varnothing 60/100$  and  $\varnothing 80/125$  intake/exhaust terminal, if properly installed, is pleasant to look at on the outside of the building. Make sure that the external silicone wall sealing plate is properly inserted in the wall.



For correct functioning of the system the terminal with grid must be installed correctly ensuring that, the "high" indication present on the terminal is respected on installation.

### Mounting the horizontal intake-exhaust kit $\varnothing 60/100$ (Fig. 19)

1. Install the curve with flange (2) on the central hole of the appliance, positioning gasket (1) with the circular projections downwards in contact with the appliance flange, and tighten using the screws contained in the kit.
2. Fit the  $\varnothing 60/100$  (3) concentric terminal pipe with the male side (smooth) to the female side of the bend (2) up to the end stop, making sure that the internal and external wall sealing plates have been fitted; this will ensure sealing and joining of the elements making up the kit.



The kit includes (Fig. 19):

- N°1 Gasket (1)
- N°1 Concentric bend  $\varnothing 60/100$  (2)
- N°1 Int./exhaust concentric terminal  $\varnothing 60/100$  (3)
- N°1 Internal wall sealing plate (4)
- N°1 External wall sealing plate (5)

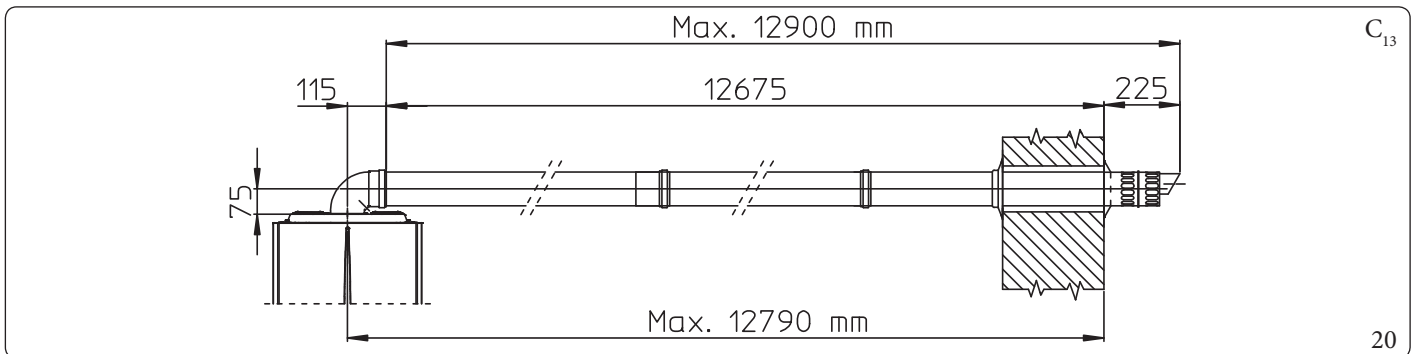
### Extensions for $\varnothing 60/100$ horizontal kit. Kit assembly (Fig. 20)

The kit with this configuration can be extended up to a max. horizontal length of 12.9 m including the terminal with grid and excluding the concentric bend leaving the appliance.

This configuration corresponds to a resistance factor of 100.

In this case the special extensions must be requested.

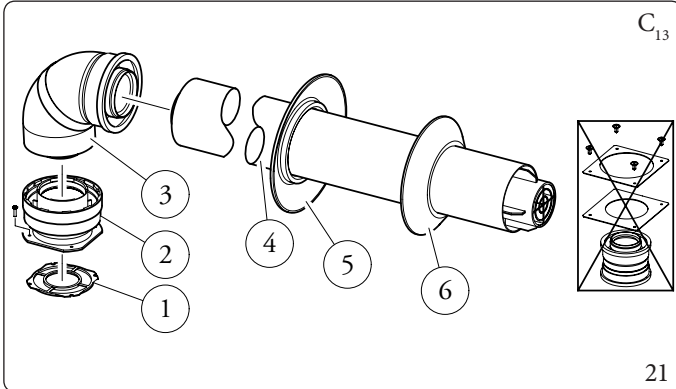
Immergas also provides a  $\varnothing 60/100$  simplified terminal, which in combination with its extension kits allows you to reach a maximum extension of 11.9 metres.



**Mounting the horizontal intake-exhaust kit Ø 80/125 (Fig. 21)**

To install the kit Ø 80/125 one must use the flanged adaptor kit in order to install the flue system Ø 80/125.

1. Install the flanged adaptor (2) on the central hole of the appliance, positioning gasket (1) with the circular projections downwards in contact with the appliance flange, and tighten using the screws contained in the kit.
2. Engage the bend (3) with the male side (smooth) to the end stop on the adaptor (1).
3. Fit the Ø 80/125 (5) concentric terminal pipe with the male side (smooth) to the female side of the bend (4) (with lip seals) up to the end stop, making sure that the internal (6) and external wall sealing plates (7) have been fitted; this will ensure sealing and joining of the elements making up the kit.



The adapter kit includes (Fig. 21):

- N°1 Gasket (1)
- N°1 Adapter Ø 80/125 (2)

The Kit Ø 80/125 includes (Fig. 21):

- N°1 Concentric bend Ø 80/125 at 87° (3)
- N°1 Int./exhaust concentric terminal Ø 80/125 (4)
- N°1 Internal wall sealing plate (5)
- N°1 External wall sealing plate (6)

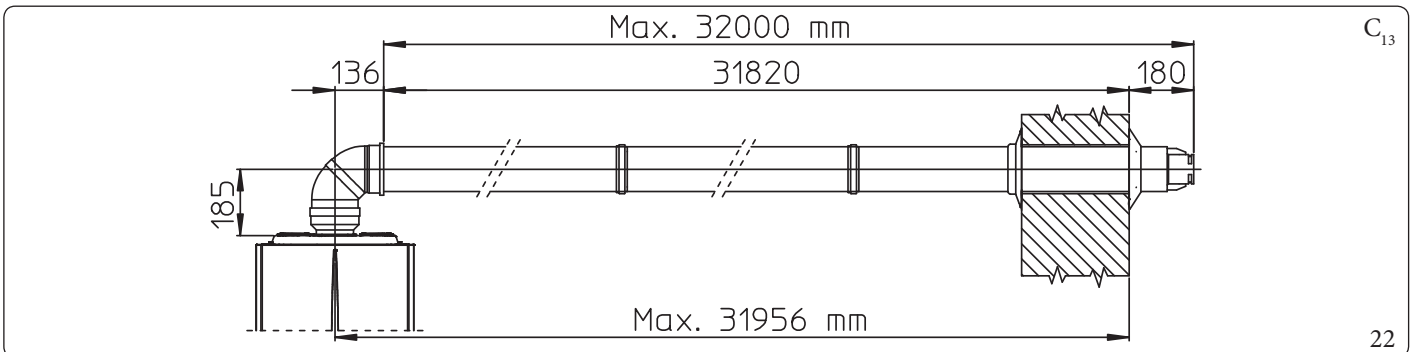
The remaining kit components must not be used

**Extensions for Ø 80/125 horizontal kit. Kit assembly (Fig. 22)**

The kit with this configuration can be extended up to a max. length of 32 m, including the terminal with grid and excluding the concentric bend leaving the appliance.

If additional components are assembled, the length equivalent to the maximum allowed must be subtracted.

In this case the special extensions must be requested.



## 1.18 CONCENTRIC VERTICAL KIT INSTALLATION

### Type C configuration, sealed chamber and fan assisted

Concentric vertical intake and exhaust kit.

This vertical terminal is connected directly to the outside of the building for air intake and flue gas exhaust.



The vertical kit with aluminium tile enables installation on terraces and roofs with a maximum slope of 45% (approx. 25°) and the height between the terminal cap and half-shell (374 mm for Ø 60/100 and 260 mm for Ø 80/125) must always be observed.

### Mounting the vertical kit with aluminium tile Ø 60/100 (Fig. 23)

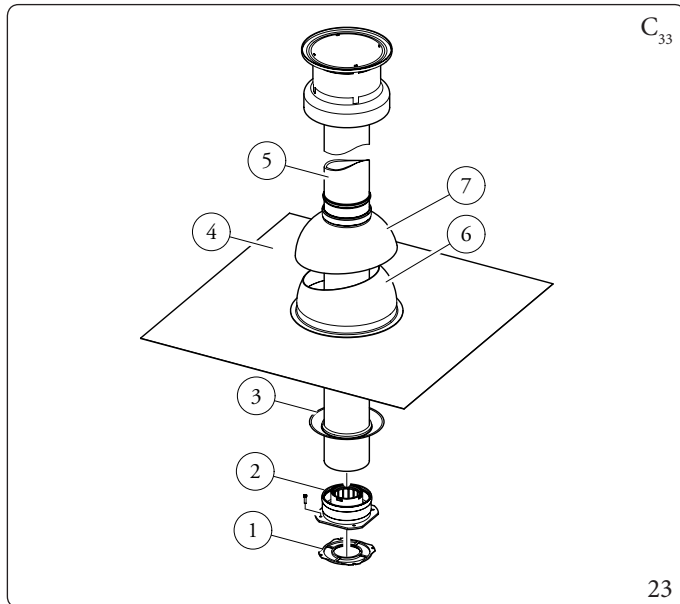
1. Install the concentric flange (2) on the central hole of the appliance, positioning gasket (1) with the circular projections downwards in contact with the appliance flange.

Imitation aluminium tile installation:

2. Replace the tiles with the aluminium sheet (4), shaping it to ensure that rainwater runs off.
3. Position the fixed half-shell (6) on the aluminium tile.
4. Insert the intake-exhaust pipe (5).
5. Fit the Ø 60/100 concentric terminal pipe with the male side (5) (smooth) into the flange (2) up to the end stop, making sure that the wall sealing plate has been fitted (3); this will ensure sealing and joining of the elements making up the kit.



When the appliance is installed in areas where very rigid temperatures can be reached, a special anti-freeze kit is available that can be installed as an alternative to the standard kit.

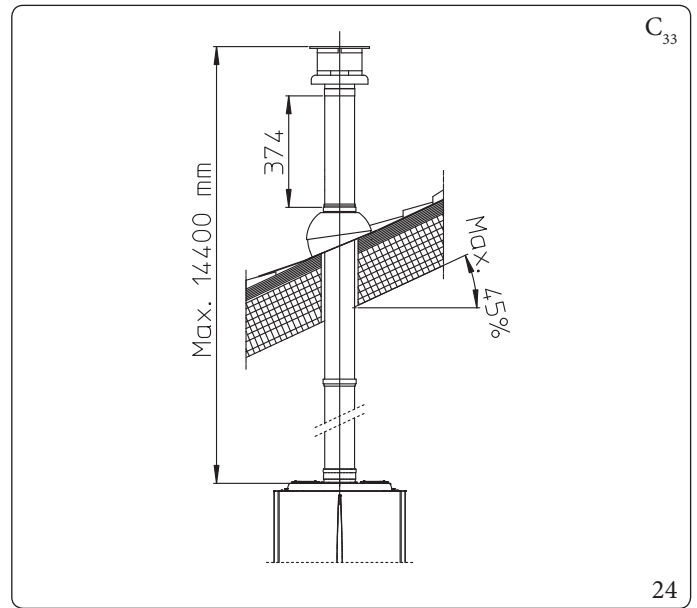


The kit includes (Fig. 23):

- N°1 Gasket (1)
- N°1 Female concentric flange (2)
- N°1 Wall sealing plate (3)
- N°1 Aluminium tile (4)
- N°1 Concentric intake/exhaust pipe Ø 60/100 (5)
- N°1 Fixed half-shell (6)
- N°1 Mobile half-shell (7)

**Extensions for Ø 60/100 vertical kit (Fig. 24)**

The kit with this configuration can be extended up to a max. vertical straight length of 14.4 m including the terminal. This configuration corresponds to a resistance factor of 100. In this case specific extensions must be requested.



**Mounting the vertical kit with aluminium tile Ø 80/125 (Fig. 25)**

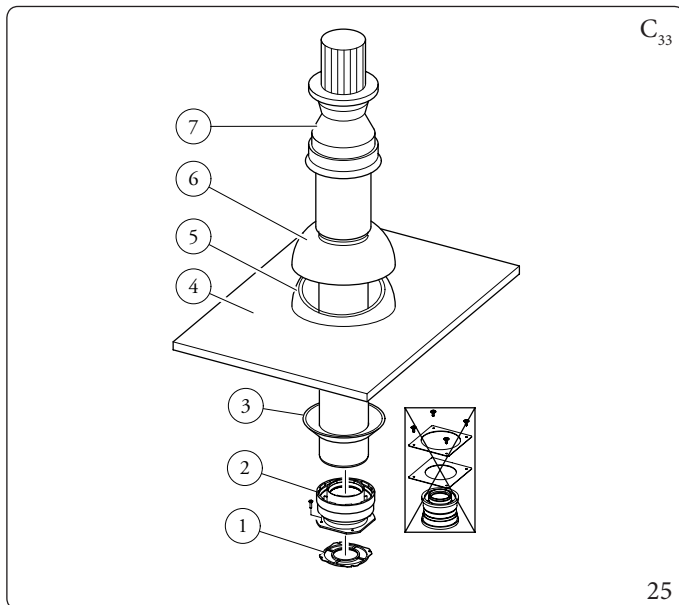


To install the kit Ø 80/125 one must use the flanged adapter kit in order to install the flue system Ø 80/125.

1. Install the concentric flange (2) on the central hole of the appliance, positioning gasket (1) with the circular projections downwards in contact with the appliance flange.

Imitation aluminium tile installation:

2. Tighten the concentric flange with the screws in the kit.
3. Replace the tiles with the aluminium sheet (4), shaping it to ensure that rainwater runs off.
4. Position the fixed half-shell (5) on the aluminium tile;
5. Insert the intake-exhaust terminal (7);
6. Fit the Ø 80/125 concentric terminal pipe with the male side (smooth) to the female side of the adapter (1) (with lip seals) up to the end stop, making sure that the wall sealing plate (3) has been fitted; this will ensure sealing and joining of the elements making up the kit.



The adapter kit includes (Fig. 25):

- N°1 Gasket (1)
- N°1 Adapter Ø 80/125 (2)

The Kit Ø 80/125 includes (Fig. 25):

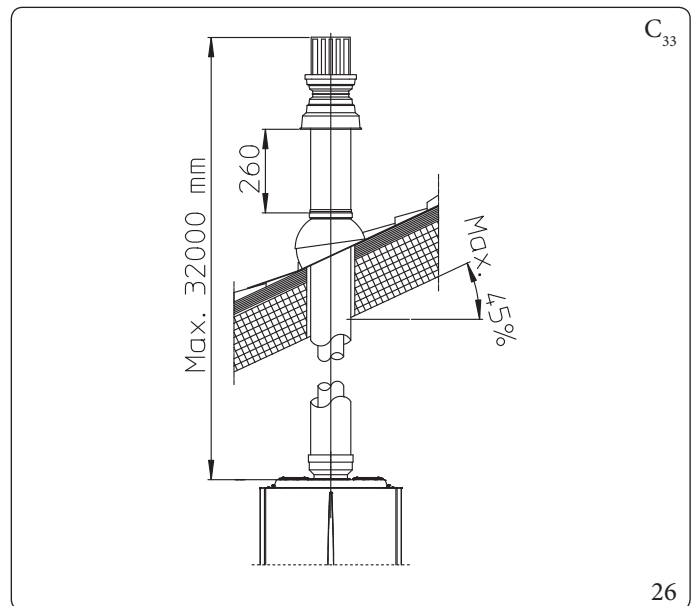
- N°1 Wall sealing plate (3)
- N°1 Aluminium tile (4)
- N°1 Fixed half-shell (5)
- N°1 Mobile half-shell (6)
- N°1 Concentric intake/exhaust pipe Ø 80/125 (7)

The remaining kit components must not be used



### Extensions for Ø 80/125 vertical kit (Fig. 26)

The kit with this configuration can be extended to a max. straight vertical length of 32 m, including the terminal. If additional components are assembled, the length equivalent to the maximum allowed must be subtracted. In this case specific extensions must be requested.



## 1.19 SEPARATOR KIT INSTALLATION

### Type C configuration, sealed chamber and fan assisted, separator kit Ø 80/80

This kit allows air to come in from outside the building and the exhaust to exit from the chimney, flue or intubated duct through divided flue exhaust and air intake pipes.

Combustion products are expelled from pipe (S) (in plastic, so as to resist acid condensate).

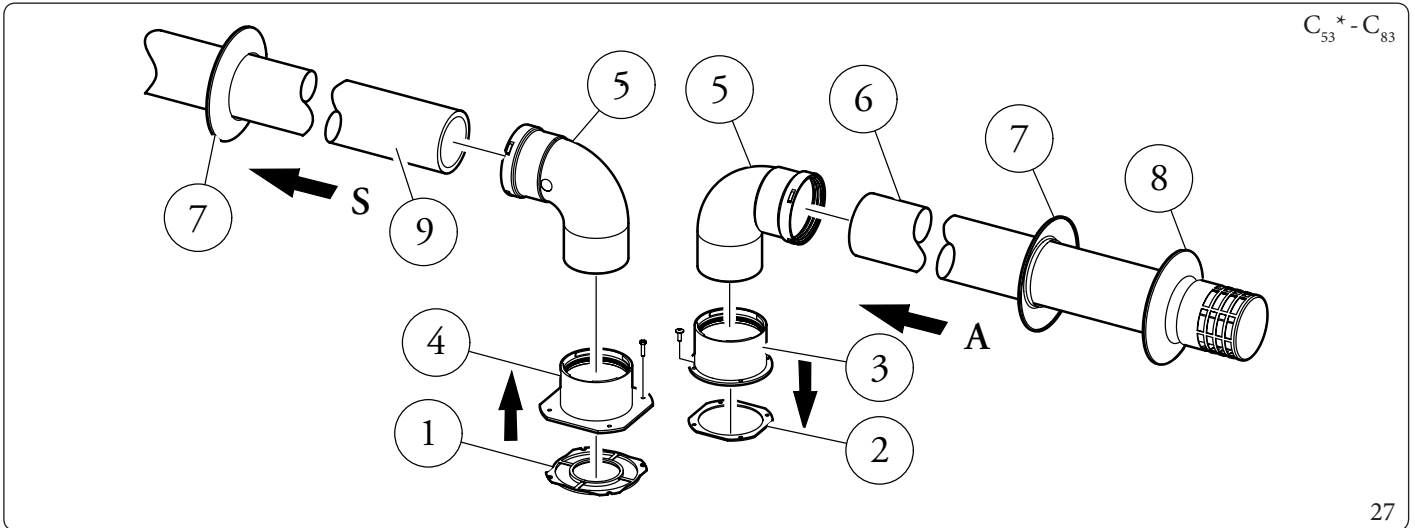
Air is taken in through duct (A) for combustion (this is also in plastic).

The intake pipe (A) can be installed either on the right or left hand side of the central exhaust pipe (S).

Both ducts can be routed in any direction.

### Mounting the separator kit Ø 80/80 (Fig. 27):

1. Install the flange (4) on the central hole of the appliance, positioning gasket (1) with the circular projections downwards in contact with the appliance flange.
2. Tighten with the hexagonal head and flat point screws provided in the kit.
3. Replace the flat flange present in the lateral hole with respect to the central one (according to needs) with the flange (3), positioning the gasket (2) already present in the appliance in between.
4. Tighten with the supplied self-tapping screws with drill bit.
5. Fit the bends with male side (smooth) (5) in the female side of the flanges (3 and 4).
6. Fit the intake terminal (6) with the male side (smooth) in the female side of the bend (5) up to the end stop, ensuring that the internal and external wall sealing plates are fitted
7. Fit the exhaust pipe (9) with the male end (smooth) to the female end of the bend (5) up to the end stop; making sure that the internal wall sealing plate has been fitted, this will ensure sealing and joining of the elements making up the kit.



C<sub>53</sub>\* - C<sub>83</sub>

27

The kit includes (Fig. 27):

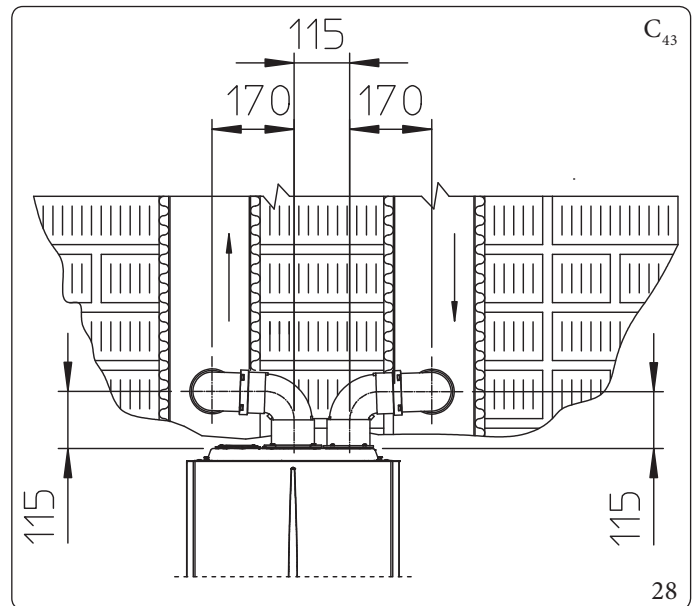
- N°1 Exhaust gasket (1)
- N°1 Flange gasket (2)
- N°1 Female intake flange (3)
- N°1 Female exhaust flange (4)
- N°2 Ø 80 90° bend (5)
- N°1 Intake terminal Ø 80 (6)

- N°2 Internal wall sealing plates (7)
- N°1 External wall sealing plate (8)
- N°1 Exhaust pipe Ø 80 (9)

\* to complete C53 configuration, also provide for a "green range" roof discharge terminal. The configuration on walls opposite the building is not allowed.

**Installation clearances (Fig. 28)**

The minimum installation clearance measurements of the Ø 80/80 separator terminal kit have been stated in some limit conditions.



**Extensions for separator kit Ø 80/80**

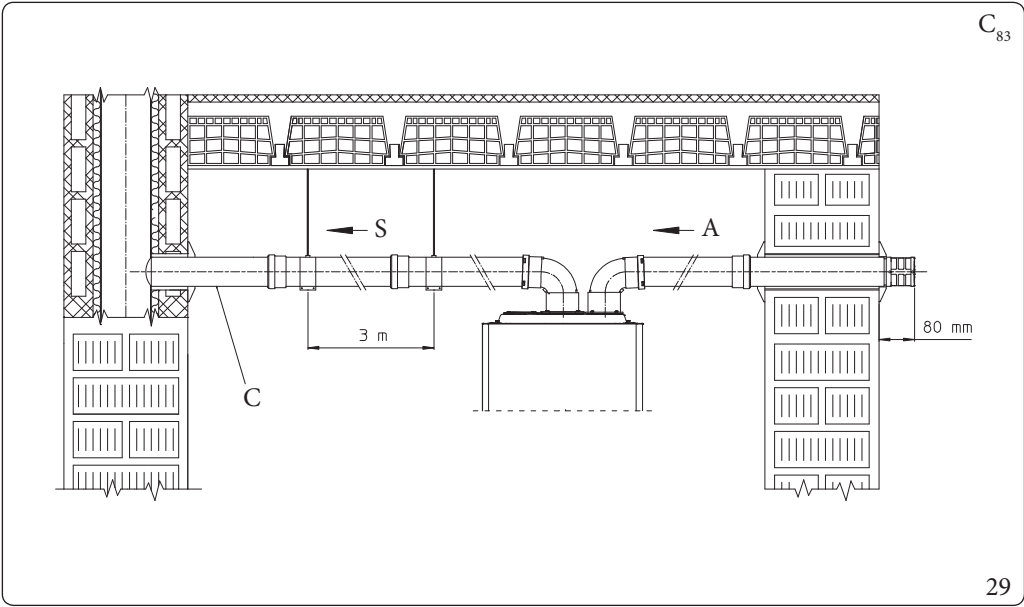
The maximum vertical straight length (without bends) that can be used for Ø 80 intake and exhaust pipes is 41 metres, regardless from whether they are used for intake or exhaust.

The maximum horizontal straight length (with bend in suction and in exhaust) that can be used for Ø 80 intake and exhaust pipes is 36 metres, regardless from whether they are used for intake or exhaust.

Please note the type of installation C<sub>43</sub> must be done with a natural draught flue.



To aid in the removal of possible condensate forming in the exhaust pipe, tilt the pipes towards the appliance with a minimum slope of 1.5% (Fig. 29)



Key (Fig. 29):

- A - Intake
- C - Minimum gradient 1.5 %
- S - Exhaust

INSTALLER

USER

MAINTENANCE TECHNICIAN

TECHNICAL DATA

## 1.20 C9 ADAPTOR KIT INSTALLATION

This kit allows an Immergas appliance to be installed in "C<sub>93</sub>" configuration, with combustion air intake directly from the shaft where the flue gas exhaust is, obtained by means of a ducting system.

### System composition

The system must be combined with the following components (sold separately) to be functional and complete:

- kit C<sub>93</sub> Ø 100 or Ø 125 version;
- rigid ducting Ø 60 and Ø 80 and flexible Ø 50 and Ø 80 kit;
- flue exhaust kit Ø 60/100 or Ø 80/125 configured according to the installation and type of appliance.

### Mounting the C<sub>9</sub> adaptor kit (Fig. 30)



(Version Ø 125 only) before assembly check the gaskets are in the right position.

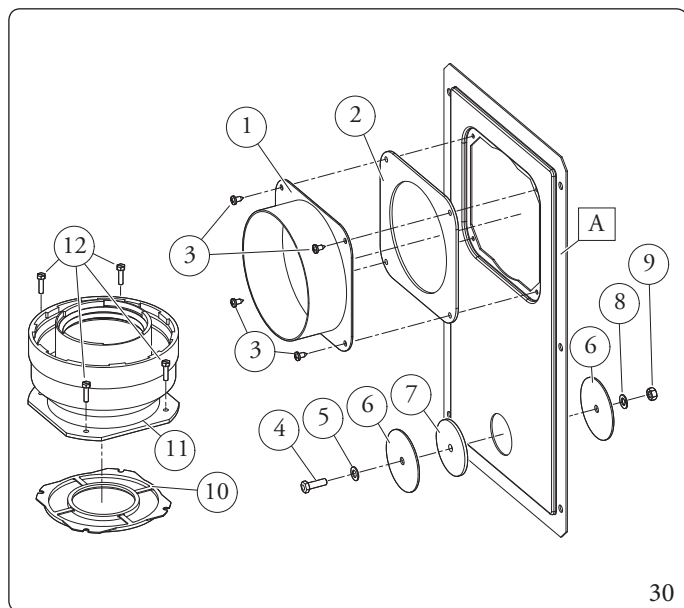
In the event component lubrication (already carried out by the manufacturer) is not sufficient, remove the residual lubricant using a dry cloth, then to ease fitting coat the parts with common or industrial talc.



To aid in the removal of possible condensate forming in the exhaust pipe, tilt the pipes towards the appliance with a minimum slope of 1.5% (Fig. 29)

1. Mount the components of kit "C<sub>9</sub>" on the door (A) of the ducting system (Fig. 30).
2. (Version Ø 125 only) mount the flanged adaptor (11) interposing the concentric gasket (10) on the appliance, fitting it with the screws (12).
3. Mount the ducting system as described in the relative instructions sheet.
4. Calculate the distances between the appliance drain and the bend of the ducting system.
5. Prepare the appliance flue system, making sure that the internal pipe of the concentric kit is fitted up to the end stop in the ducting system curve (Quota "X" Fig. 32), whereas the external pipe must reach the end stop of the adaptor (1).
6. Mount the cover (A) complete with adaptor (1) and caps (6) on the wall.
7. Assemble the flue system to the ducting system.

Once all components have been assembled properly, the exhaust fumes will be expelled via the ducting system; the combustion air for normal appliance operation will be aspirated directly by the shaft (Fig. 32).

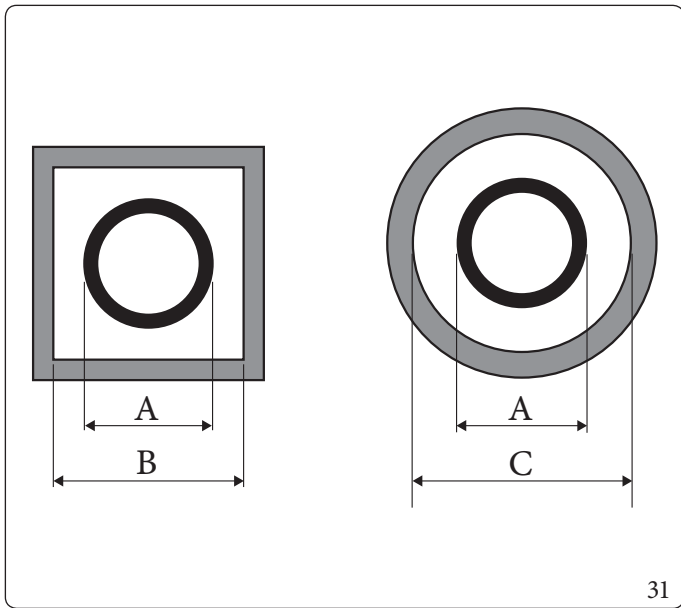


The adaptor kit includes (Fig. 30):

- N°1 Door adaptor Ø 100 or Ø 125 (1)
- N°1 Door gasket made of neoprene (2)
- N°4 Screws 4.2x9 AF (3)
- N°1 Hex headed screw M6x20 (4)
- N°1 Flat nylon washer M6 (5)
- N°2 Door hole closure metal-sheet plate plug (6)
- N°1 Pluggasket made of neoprene (7)
- N°1 Toothed washer M6 (8)
- N°1 Nut M6 (9)
- N°1 (kit Ø 80/125) Concentric gasket Ø 60/100 (10)
- N°1 (kit Ø 80/125) Flanged adaptor Ø 80/125 (11)
- N°4 (kit Ø 80/125) Hex headed screws M4x16 slotted screwdriver (12)
- N°1 (kit Ø 80/125) Bag of lubricating talc

Supplied separately (Fig. 30):

- N°1 Ducting kit door (A)



| Ducting       | ADAPTOR (A) mm | SHAFT (B) mm | SHAFT (C) mm |
|---------------|----------------|--------------|--------------|
| Ø 60 Rigid    | 66             | 106          | 126          |
| Ø 50 Flexible | 66             | 106          | 126          |
| Ø 80 Rigid    | 86             | 126          | 146          |
| Ø 80 Flexible | 103            | 143          | 163          |

### Technical data

The dimensions of the shafts must ensure a minimum gap between the outer wall of the smoke duct and the inner wall of the shaft: 30 mm for circular section shafts and 20 mm in the event of a square section shaft (Fig. 31).

Maximum 2 changes of direction are allowed on the vertical section of the flue system with a maximum clearance angle of 30° with respect to the vertical.

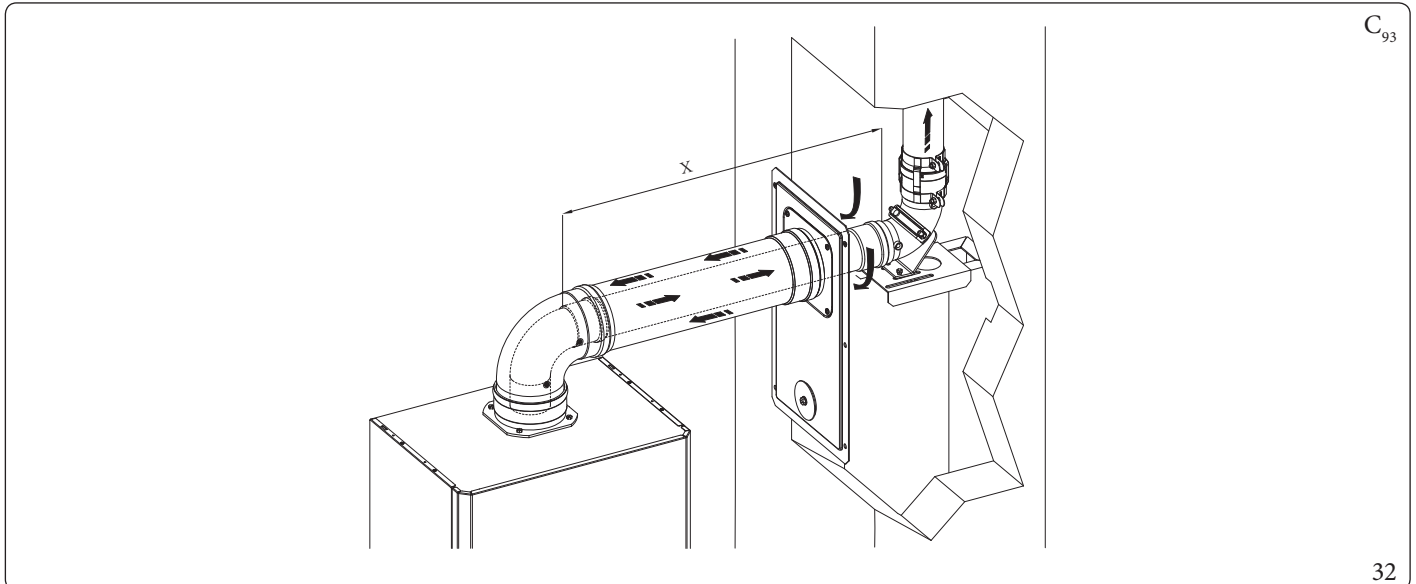
The maximum vertical extension using a Ø 60 ducting system is 13 m, the maximum extension includes 1 bend Ø 60/100 at 90°, 1 m of horizontal pipe Ø 60/100, 1 x 90° Ø 60 ducted bend and the roof terminal for ducting.

The maximum vertical extension using a Ø 80 rigid ducting system is 28 m, the maximum extension includes 1 adapter from Ø 60/100 to Ø 80/125, 1 bend Ø 80/125 of 87°, 1 m of pipe Ø 80/125 in horizontal, 1 x 90° ducted bend Ø 80 and the roof terminal for ducting.

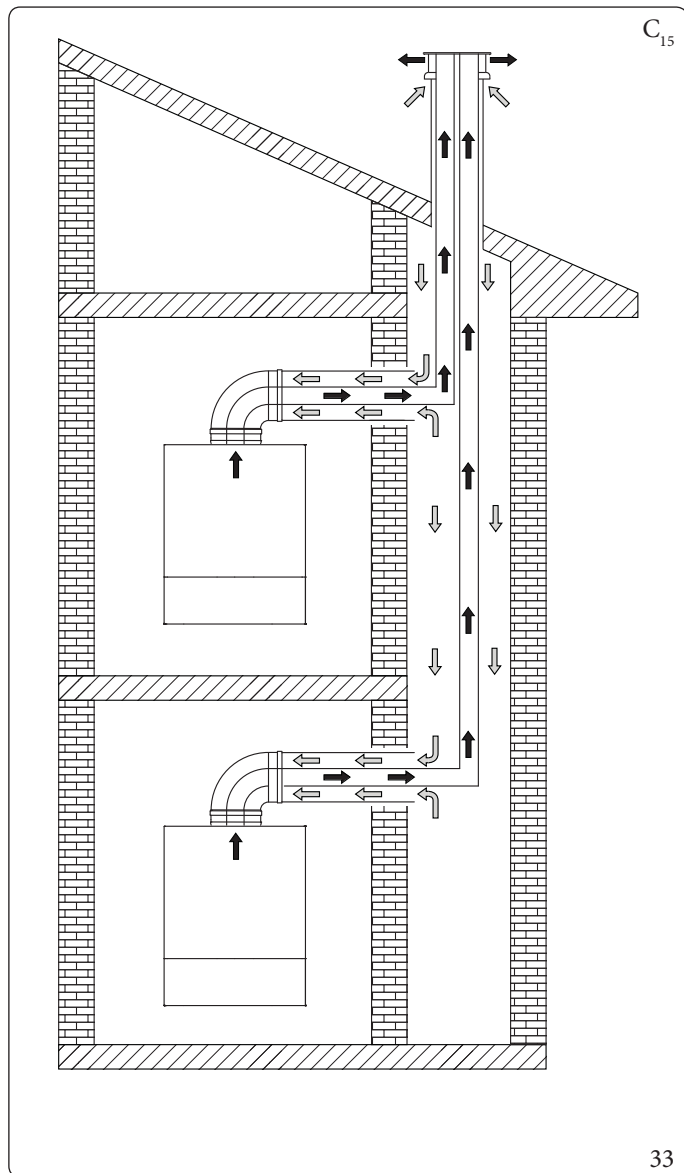
To determine the  $C_{93}$  flue system in configurations other than that described (Fig. 32) one must consider the following head losses:

- 1 m of concentric pipe Ø 80/125 = 1.8 m of rigid ducted pipe Ø 80 and 0.7 m of flexible ducted pipe Ø 80;
- 1 curve Ø 80 of 87° = 2.1 m of rigid ducted pipe Ø 80 and 0.9 m of flexible ducted pipe Ø 80.

Consequently one must subtract the equivalent length of the part added to the 28 m available.



1.21 C15 CONFIGURATION CONCENTRIC KIT



Installation in "C<sub>15</sub>" configuration of an Immergas appliance, makes it possible to intake combustion air directly from the shaft where the flue gas exhaust is present in the dedicated flue.

**Information for C15 installations**

The appliance is suitable for operating in a C(15)3 or C(15)3X system, correctly sized by a thermotechnical designer.

The roof terminal, which is an integral part of the project, must also meet the legislative and regulatory obligations prescribed for this component. In particular, it must ensure that the degree of recirculation of the flue gas is always below 10%.

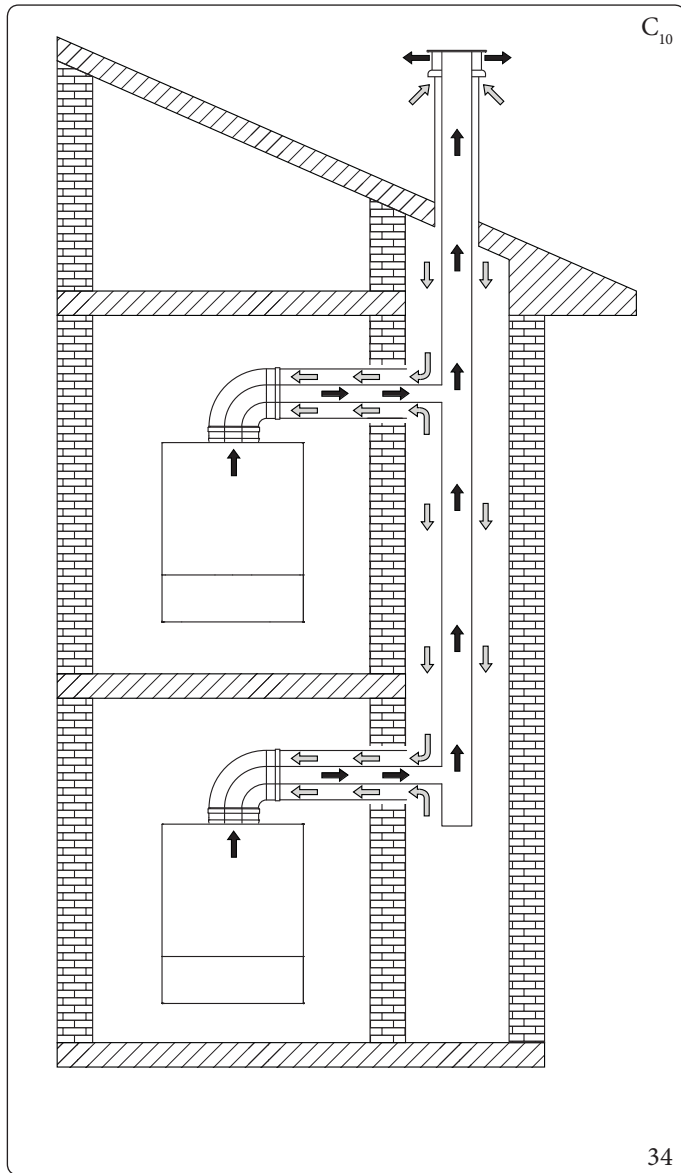
The common supply shaft must be sized so that, in combination with the intake part of the roof terminal, a vacuum greater than 5 Pa is not generated at the point of the shaft where the appliance draws the combustion air from the shaft itself, when the appliance works at maximum heat output and the entire multiple ducting system works at maximum design power.

If the single terminal complies with the following head losses conditions at the maximum appliance heat input:

| Model                    | Pa |
|--------------------------|----|
| VICTRIX SUPERIOR 35 PLUS | 10 |

in compliance with the conditions described above, the maximum extensions that can be achieved in the shaft are those defined in this manual with C93 configuration, using the same appliance settings.

## 1.22 CONCENTRICKIT C10 CONFIGURATION (Ø 80/125)



Installation in "C<sub>10</sub>" configuration of an Immergas appliance (only permitted with approved original flue), makes it possible to intake combustion air directly from the shaft where the flue gas exhaust is present in the collective flue.



Coupling to the shaft for intake is possible with male flue Ø 125 or Ø 125 cut female.

The collective flue coupling for the exhaust is possible with female Ø 80 flue with gasket.

(Fig. 36)

### Concentrickit assembly in C<sub>10</sub> type configuration (Fig. 36)



To aid in the removal of possible condensate forming in the exhaust pipe, tilt the pipes towards the appliance with a minimum slope of 1.5% (Fig. 35)

1. Mount the flanged adaptor (14) interposing the concentric gasket (15) on the appliance, fitting it with the screws (13).
2. Insert the non-return valve kit on flue gas Ø 80 in the flanged adaptor, taking care to remove the spacer Ø 80 th. 5 mm.



**Make sure to fill the flue gas non-return valve siphon with water (Fig. 42):**

3. Fit the Ø 125 extension in the flanged adaptor.
4. Calculate the distances between appliance exhaust and connection to the collective flue.



For maximum extension of the Ø 80/125 flue and for the installation variables, refer to the figure (Fig. 35). Refer to the relative tables to calculate the resistance factor (Parag. 1.15).

5. Prepare the appliance flue system, making sure that the internal pipe of the concentric kit is fitted up to the end stop in the collective flue.

INSTALLER

USER

MAINTENANCE TECHNICIAN

TECHNICAL DATA

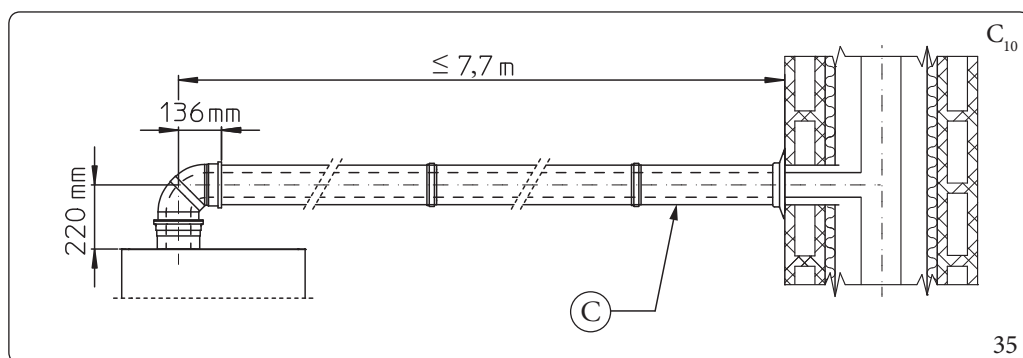


Before mounting it, ensure that the gaskets are in the correct position.

In the event component lubrication (already carried out by the manufacturer) is not sufficient, remove the residual lubricant using a dry cloth, then to ease fitting coat the parts with common or industrial talc.

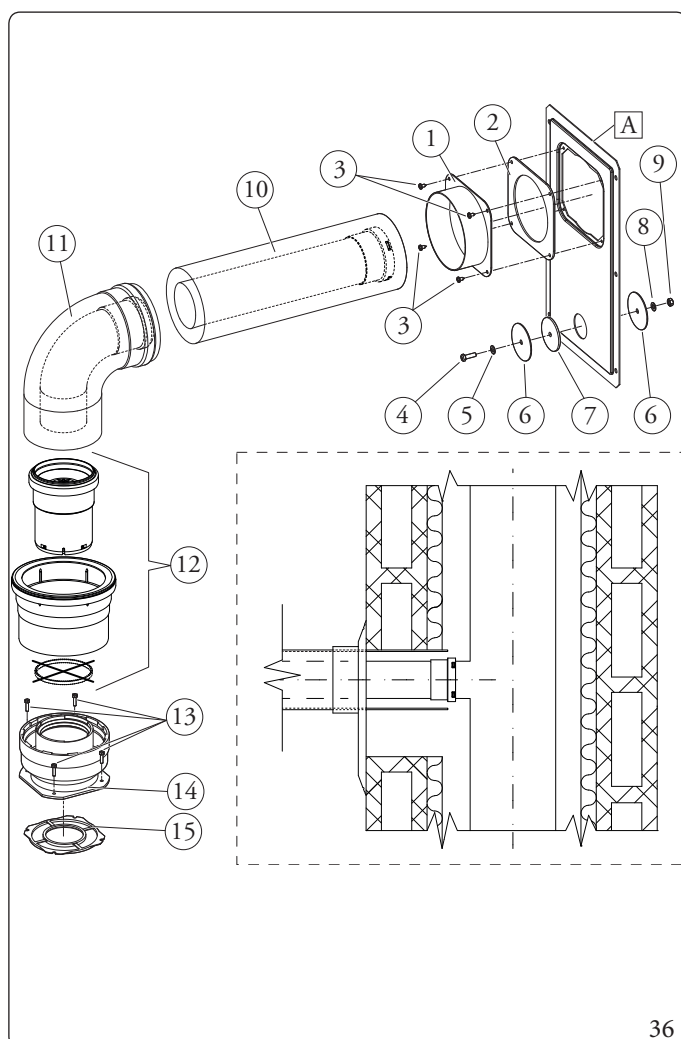
6. Mount the cover (A) complete with adaptor (1) and caps (6) on the wall.
7. Assemble the flue to the collective flue exhaust system.
8. Go to the display and through the path Menu/General settings/Menu access level, upon request "Enter password", enter the code 1122 (using knobs "Set DHW" and "Set CH") and press "Ok" after which, the "Menu access level" menu will open, where you will need to select the type of access: "Service".
9. Refer to the path Menu/Service/Boiler/Flue
10. Set item Enable klapet valve to "Yes".
11. Carry out the quick calibration procedure (Parag. 3.13).

Once all components have been assembled properly, the exhaust flue gas will be expelled in the collective flue, the combustion air for normal appliance operation will be aspirated directly by the shaft (Fig. 32).



Key (Fig. 35):

C - Minimum gradient 1.5 %



Key (Fig. 36):

The C9 adaptor kit includes:

- No.1 Door adaptor Ø 100 or Ø 125 (1)
- No.1 Door gasket made of neoprene (2)
- No.4 Screws 4.2 x 9 ST (3)
- No.1 Hex headed screw M6 x 20 (4)
- No.1 Flat nylon washer M6 (5)
- No.2 Door hole closure metal-sheet plate plug (6)
- No.1 Plug gasket made of neoprene (7)
- No.1 Toothed washer M6 (8)
- No.1 M6 nut (9)

The Ø 80/125 extension pipe kit includes:

- No.1 Extension pipe unit Ø 80/125 (10)

The bend kit Ø 80/125 includes:

- No.1 Concentric bend Ø 80/125 at 87° (11)

The kit non-return valve on flue gas Ø 80 (12) includes:

- No.1 Gasket / Seal Ø 80
- No.1 Non-return valve on flue gas Ø 80
- No.1 Extension Ø 125
- No.1 Spacer Ø 80 th. 5 mm (to be excluded for this configuration)
- No.1 Information sticker

The adaptor kit includes:

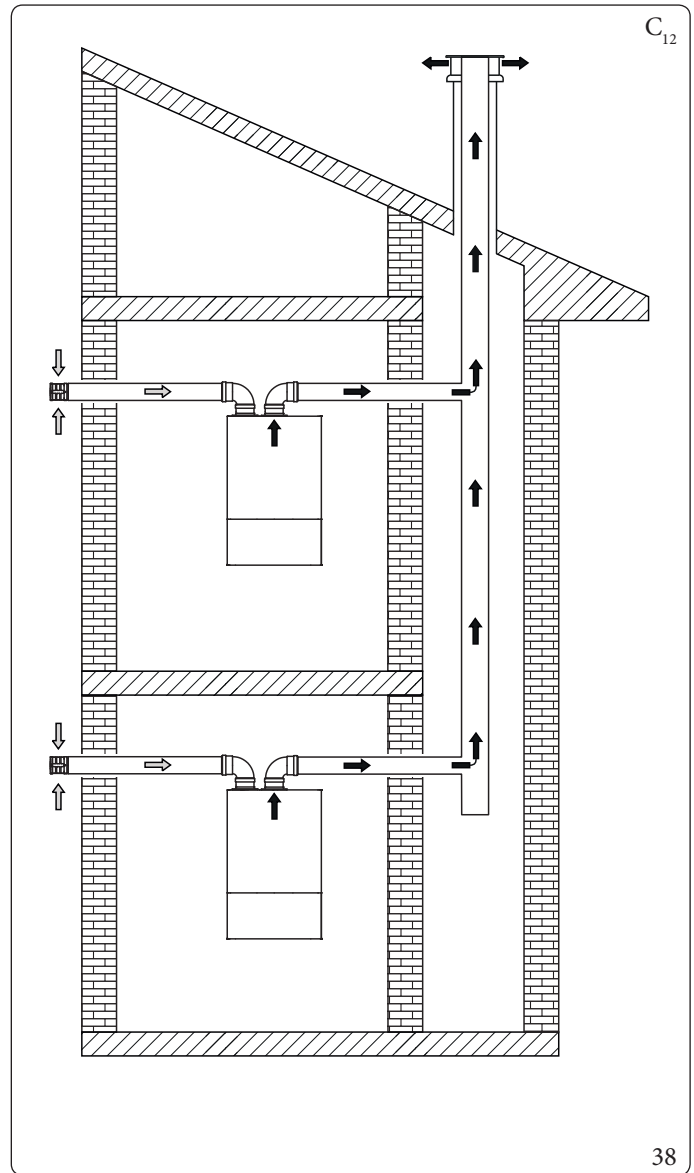
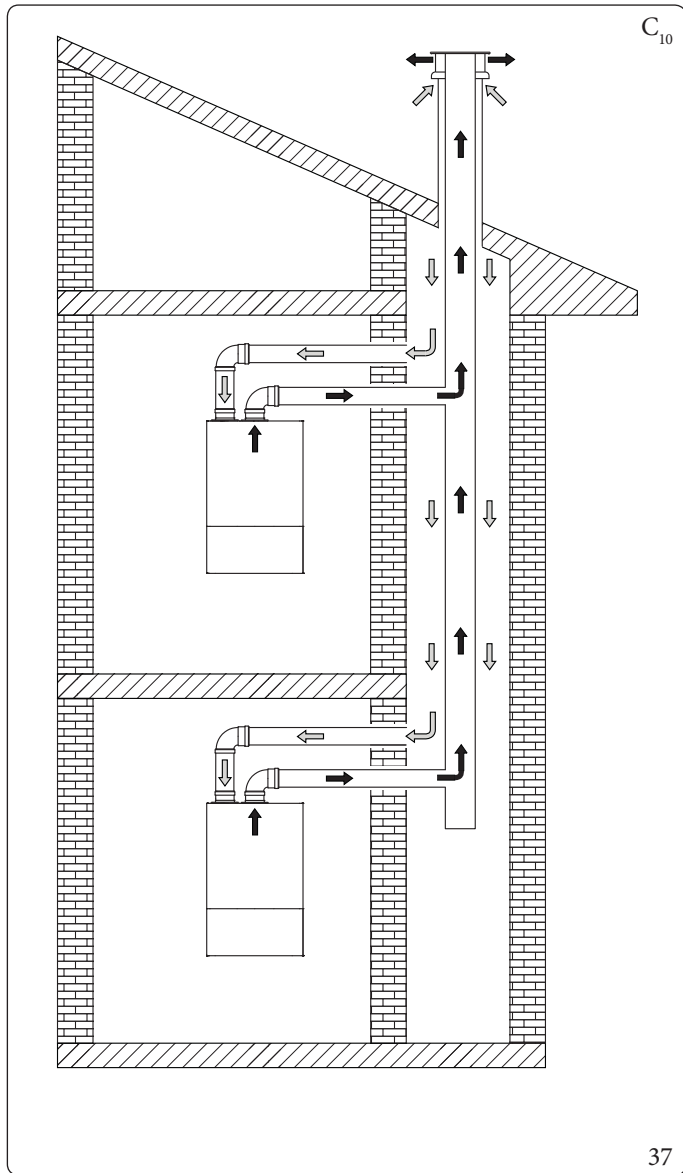
- No.4 (kit Ø 80/125) Hex headed screws M4 x 16 slotted screwdriver (13)
- No.1 (kit Ø 80/125) Flanged adapter Ø 80/125 (14)
- No.1 (kit Ø 80/125) Concentric gasket (15)

Supplied separately (Fig. 36):

- No.1 Ducting kit door (A)



## 1.23 CONFIGURATION C10- C12 SEPARATOR KIT (Ø 80/80)



This configuration (allowed only with the approved original flue), makes it possible to suck the air outside the home or directly from the shaft where the flue gas exhaust is present and the evacuation of the flue gas itself inside a collective flue.



**C10** (Fig. 37):

Coupling to the shaft for intake is possible with male flue Ø 80 or Ø 80 cut female.

**C10 - C12** (Fig. 37 - 38)

The collective flue coupling for the exhaust is possible with female Ø 80 flue with gasket.

### Mounting the separator kit Ø 80/80 (Fig. 39):

1. Install the discharge flange (4) on the appliance sample point flange, positioning the relative gasket (1) with the circular projections downwards in contact with the appliance flange, and tighten using the hex screws with flat tip contained in the kit.
2. Remove the flat flange present in the intake hole and replace it with the intake flange (3), positioning the gasket (2) contained in the separator kit Ø 80/80 and tighten using the supplied self-threading screws.
3. Eliminate the extension Ø 125 from the flue gas non-return valve kit.
4. Insert the spacer Ø 80 th. 5 mm into the flue exhaust flange.
5. Insert the flue gas non-return valve on the Ø 80 flues inside the flue exhaust flange.



**Make sure to fill the flue gas non-return valve siphon with water (Fig. 42):**

6. Fit the bends with male side (smooth) (5) in the female side of the flanges (3 and 4).

INSTALLER

USER

MAINTENANCE TECHNICIAN

TECHNICAL DATA

7. For the intake from shaft (C10) or from a common intake duct, connect the Ø 80 intake ducts (6) to the bend (5), making sure to have already inserted the internal wall sealing plate (7). For the wall intake (C12), fit the male end (smooth) of the intake terminal (6) into the female end of the bend (5) up to the end stop, making sure to have already inserted the relative internal and external wall sealing plate (7) (8).
8. Connect the Ø 80 drain pipe making sure to have already inserted the internal wall sealing plate (7) inside the end section of the pipe.

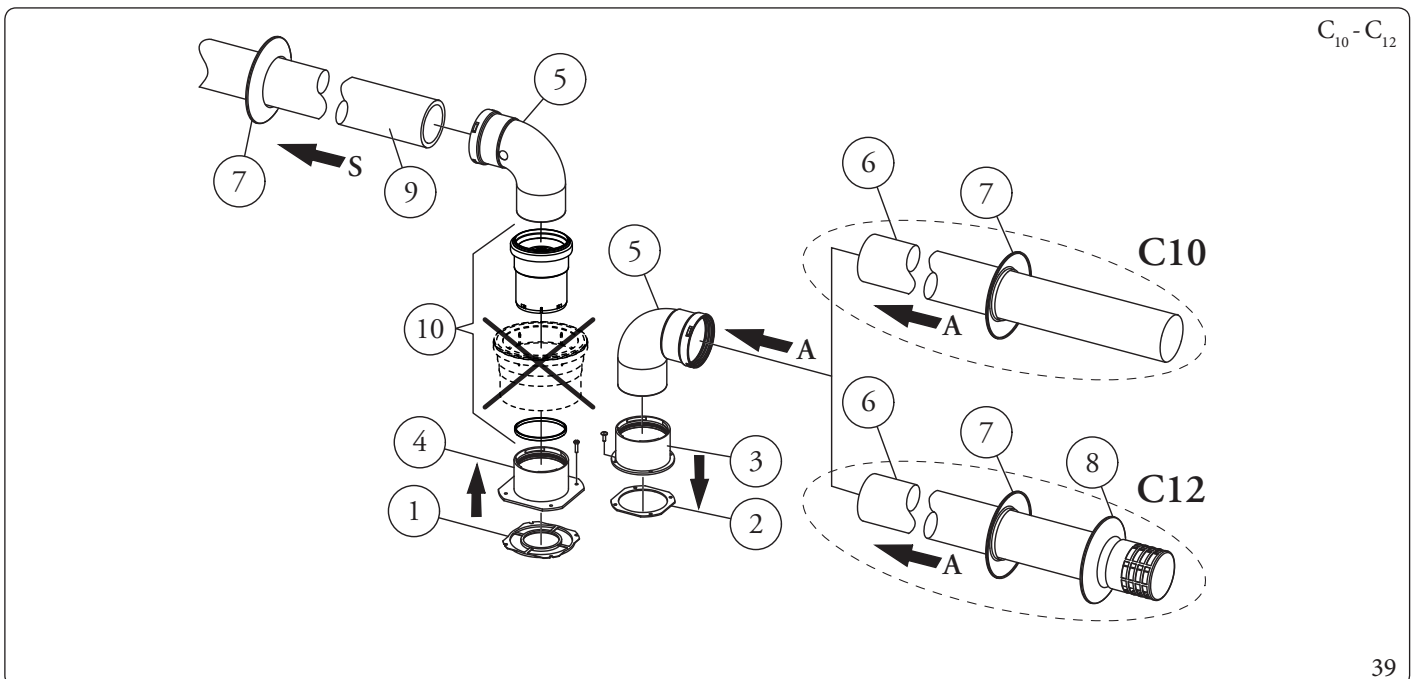


For maximum extension of the Ø 80/80 terminals and for the installation dimensions, refer to the figures (Fig. 40 - 41)  
For the development of the exhaust terminals, a maximum resistance of 19.5 is considered; to calculate the resistance factor, refer to the relative tables (Parag. 1.15).

9. Go to the display and through the path Menu/General settings/Menu access level, upon request "Enter password", enter the code 1122 (using knobs "Set DHW" and "Set CH") and press "Ok" after which, the "Menu access level" menu will open, where you will need to select the type of access: "Service".
10. Refer to the path Menu/Service/Boiler/Flue
11. Set item Enable klapet valve to "Yes".
12. Carry out the quick calibration procedure (Parag. 3.13).



Any combustion analysis with unexpected CO<sub>2</sub> values could be due to external conditions induced by the connection to the collective flue.

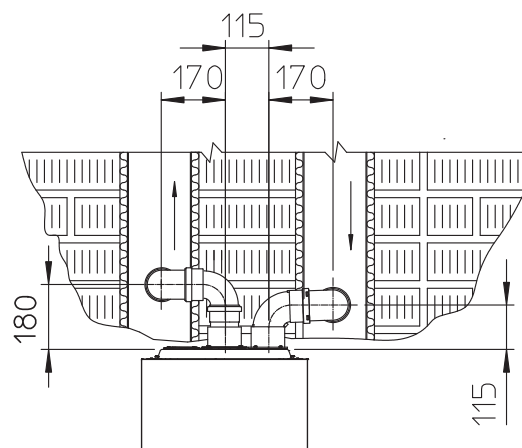


The kit includes (Fig. 39):

- No.1 Exhaust gasket (1)
- No.1 Flange gasket (2)
- No.1 Female intake flange (3)
- No.1 Female exhaust flange (4)
- No.2 Bend 90° Ø 80 (5)
- No.1 Extension Ø 80 (6) (C10 only)
- No.1 Intake terminal Ø 80 (6) (C12 only)

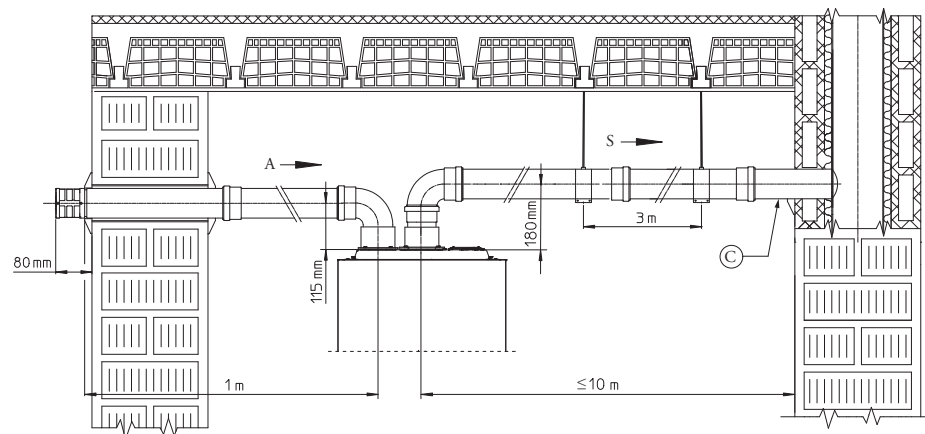
- No.2 Internal wall sealing plates (7)
  - 1 External wall sealing plate (8) (C12 only)
  - No.1 Exhaust pipe Ø 80 (9)
  - No.1 (flue gas non-return valve kit Ø 80) (10)
- N.B.: eliminate the extension Ø 125**

The configuration on walls opposite the building is not allowed.



C<sub>10</sub>

40



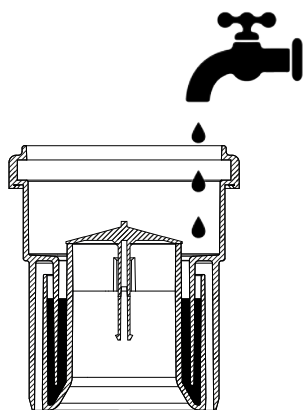
C<sub>12</sub>

41

Key (Fig. 41):

- A - Intake
- C - Minimum gradient 1.5%
- S - Exhaust

In the C(10) and C(12) installation, the appliance flue exhaust must be fitted with a Ø 80 flue gas non-return valve kit, consisting of the valve itself with instructions, specification and relative sticker with additional safety information (Fig. 36).



42

### Information for C10 and C12 installations

The appliance is suitable for operation in a C(10) or C(12) system and only with the supply of methane gas (2H and 2E categories). The appliances are developed to operate on collective pressurised flues with a safety pressure at the minimum heat input of 25 Pa and a safety pressure at the maximum heat input of 100 Pa.



In boilers installed in type C(10) or C(12) flue systems, the parameter "Enable klapet valve" must be enabled, which will require quick calibration. This is the only calibration operation permitted as CO<sub>2</sub> emission levels are affected by the operating pressures induced in the collective flue, with particular reference to the minimum heat input or any recirculation phenomena induced by the flue system.

The appliance must be connected to a flue system designed by a heating engineer in compliance with the local regulation in force. The collective flue system must be suitably sized to allow the appliance to operate with the following specifications with which it was designed:

- the maximum pressure, when n-1 appliance is working at maximum heat input (with n= number of total appliances connected or that can be connected to the same collective duct), and a boiler works at minimum heat input, is 25 Pa;
- flue gas mass at maximum heat input;
- flue gas mass at minimum heat input;
- the minimum pressure difference allowed between the combustion product outlet and the combustion air inlet is -200 Pa (- 400 Pa for C12) including -100 Pa (-300 Pa C12) of pressure generated by wind;
- the duct must have been sized with a nominal temperature of the combustion products of 25°C.
- the maximum allowed recirculation rate for wind action is 10%;
- the common flue must be certified to admit an overpressure of at least 200 Pa (minimum pressure class P1);
- no draught-breaker devices must be provided in the duct system.

In particular, at the coupling point to the pressurised collective flue, a plate must be visible showing at least the following technical information:

- the name and trademark of the common flue gas pipe manufacturer;
- suitability to work with C(10) or C(12) certified boilers;
- the maximum flue gas mass value allowed in kg/h;
- the dimensions of the common duct (collective pipe);



The openings for combustion air and the inlet of combustion products of the pressurised collective flue must be closed and their tightness must be checked when the appliance is disconnected.

The appliance connection to the pressurised collective flue must be made as instructed, without exceeding the specific maximum extensions stated.

The appliance flue gas duct must be tilted a few degrees towards the boiler, to facilitate the evacuation of condensate.



The appliance flue gas outlet must be installed with the flue gas non-return valve kit, which ensures correct operation of the appliance and facilitates its maintenance operations.

Furthermore, the safety sticker must be affixed on the front casing. This sticker is contained in the appropriate Kit C(10) C(12), which contains the additional exhaust flue gas non-return valve, necessary for the pressurised collective flues.

The sticker indicates the following information in language:



It is advisable to affix the sticker in a clearly visible position on the front casing.

- The installation of this appliance is of type C(10) or C(12).
- Before proceeding with maintenance operations, it is crucial to read the instructions provided in the manual.
- Set item Enable klapet valve to "Yes".



When the sealed chamber is opened, combustion products may escape even when the appliance is turned off.

## 1.24 DUCTING OF FLUES OR TECHNICAL SLOTS

Ducting is an operation through which, via the introduction of one or more relevant pipes, one achieves a system for the evacuation of the combustion products of a gas appliance, made up from the coupling of an existing or new ducting pipe with a chimney, flue or technical slot (also in new buildings) (Fig. 43).

Ducting requires ducts declared to be suitable for the purpose by the manufacturer, following the installation and user instructions, provided by the manufacturer and the requirements of the regulations in force.

### Immergas ducting systems



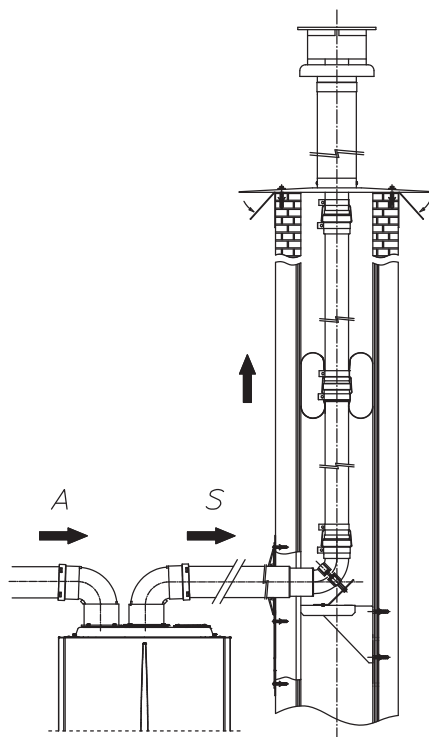
The  $\varnothing 60$  rigid,  $\varnothing 50$  and  $\varnothing 80$  flexible and  $\varnothing 80$  rigid “Green Range” ducting systems must only be used for domestic use and with Immergas condensing appliances.

In any case, ducting operations must respect the provisions contained in the standard and in current technical regulations; in particular, the declaration of conformity must be compiled at the end of work and on commissioning of the ducted system.

The instructions in the project or technical report must likewise be followed, in cases provided for by the standard and current technical regulations.

To guarantee reliability and operation over time of the ducting system, make sure:

- it is used in average atmospheric and environmental conditions, according to current regulations (absence of combustion products, dusts or gases that can alter the normal thermophysical or chemical conditions; existence of temperatures coming within the standard range of daily variation, etc.).
- Installation and maintenance must be performed according to the indications supplied by the manufacturer included with the “green range” ducting system chosen and in compliance with the regulations in force.
- The maximum length specified by the manufacturer must be respected; in this regard:
  - The max. possible length of the  $\varnothing 60$  rigid ducting vertical section is equal to 22 m. This length is obtained considering the complete  $\varnothing 80$  exhaust terminal, 1 m of  $\varnothing 80$  pipe in exhaust, two  $90^\circ$   $\varnothing 80$  bends at appliance outlet.
  - The max. possible length of the  $\varnothing 80$  flexible ducting vertical section is equal to 18 m. This length is obtained considering the  $\varnothing 80$  complete exhaust terminal, 1 m of  $\varnothing 80$  pipe in exhaust, two  $90^\circ$   $\varnothing 80$  bends at appliance outlet for connecting to the ducting system and two direction changes of the flexible hose inside the chimney/technical slot.
  - The max. possible length of the  $\varnothing 80$  rigid ducting vertical section is equal to 30 m. This length is obtained considering the complete  $\varnothing 80$  exhaust terminal, 1 m of  $\varnothing 80$  pipe in exhaust, two  $90^\circ$   $\varnothing 80$  bends at appliance outlet.
  - The maximum length that the  $\varnothing 50$  flexible ducted tract can run is equal to 13 m straight. This length is obtained considering the complete  $\varnothing 80$  exhaust terminal, 1 m of  $\varnothing 80$  pipe in exhaust, two  $90^\circ$   $\varnothing 80$  bends at appliance outlet and the reduced  $\varnothing 80/50$  T fitting.



43

INSTALLER

USER

MAINTENANCE TECHNICIAN

TECHNICAL DATA

## 1.25 CONFIGURATION TYPE B, OPEN CHAMBER AND FAN ASSISTED FOR INDOORS

The appliance can be installed inside buildings in B<sub>23</sub> or B<sub>53</sub> mode; in this case, all technical rules and national and local regulations in force, must be complied with.

For installation, the cover kit must be used, referred to in (Par. 1.16).

## 1.26 FLUE EXHAUST TO FLUE/CHIMNEY.

Flue exhaust does not necessarily have to be connected to a branched type traditional flue for type B appliances with natural draught (CCR).

The flue exhaust, for boiler clots installed in C configuration, can be connected to a special LAS type multiple flue.

For B<sub>23</sub> configurations, exhaust is only allowed into individual chimney or directly into the external atmosphere via a relevant terminal, unless otherwise provided by local regulations.

The multiple flues and the combined flues must also only be connected to type C appliances of the same type (condensation), having nominal heat inputs that do not differ by more than 30% less with respect to the maximum that can be attached and powered by the same fuel. The thermo-fluid dynamic features (flue flow rate, % of carbon dioxide, % humidity etc.) of the appliances attached to the same multiple flues or combined flues, must not differ by more than 10% with respect to the average appliance attached.

Multiple and combined flues must be specially designed according to the calculation method and requirements of the standards (such as UNI 13384), by professionally qualified technical staff.

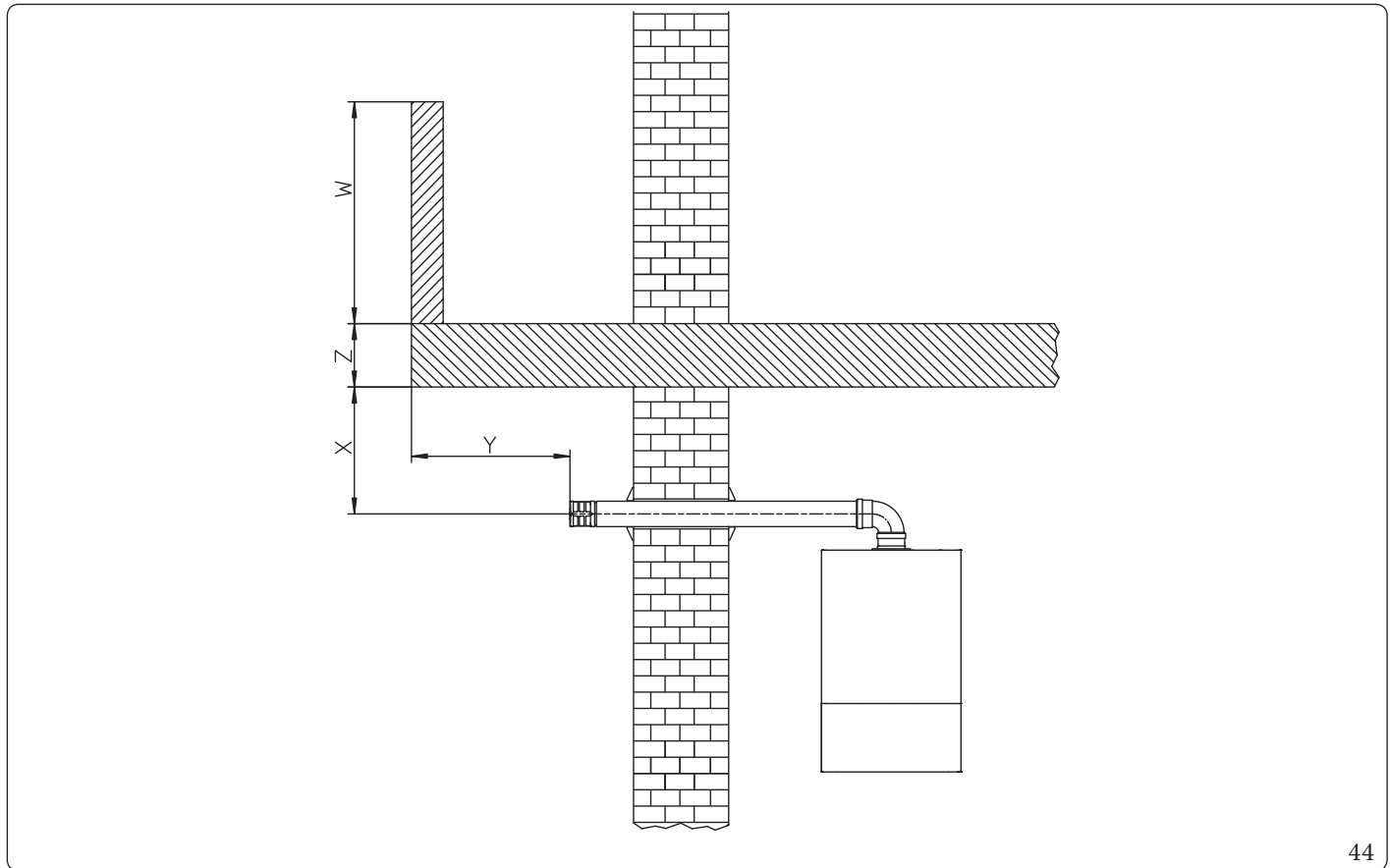
Chimney or flue sections for connection of the flue exhaust pipe must comply with requisites of technical standards in force.

It is possible to replace a type C conventional device with one provided with condensation only, if the derogation conditions established by the regulations in force have been verified.

The flues, chimneys and chimney caps for the evacuation of combustion products must be in compliance with applicable standards.

## 1.27 FLUES, CHIMNEYS AND CHIMNEY CAPS.

The flues, chimneys and chimney caps for the evacuation of combustion products must be in compliance with applicable standards. Chimneys and roof-installed exhaust terminals must comply with the outlet height and with the distance from technical volumes set forth by the technical standards in force.



### Positioning the wall flue exhaust terminals.

The wall flue exhaust terminals must:

- be installed on external perimeter walls of the building (Fig. 44);
- be positioned according to the minimum distances specified in current technical standards.

### Combustion products exhaust of natural draught or fan assisted appliances in open-top closed environments.

In spaces closed on all sides with open tops (ventilation pits, courtyards etc.), direct combustion product exhaust is allowed for natural draught or fan assisted gas appliances with a heat input range from 4 to 35 kW, provided the conditions as per the current technical standards are respected.

INSTALLER

USER

MAINTENANCE TECHNICIAN

TECHNICAL DATA

## 1.28 WATER TREATMENT PLANT FILLING

As already mentioned in the previous paragraphs, a treatment of the thermal and domestic system water is required, in compliance with the local standards in force.

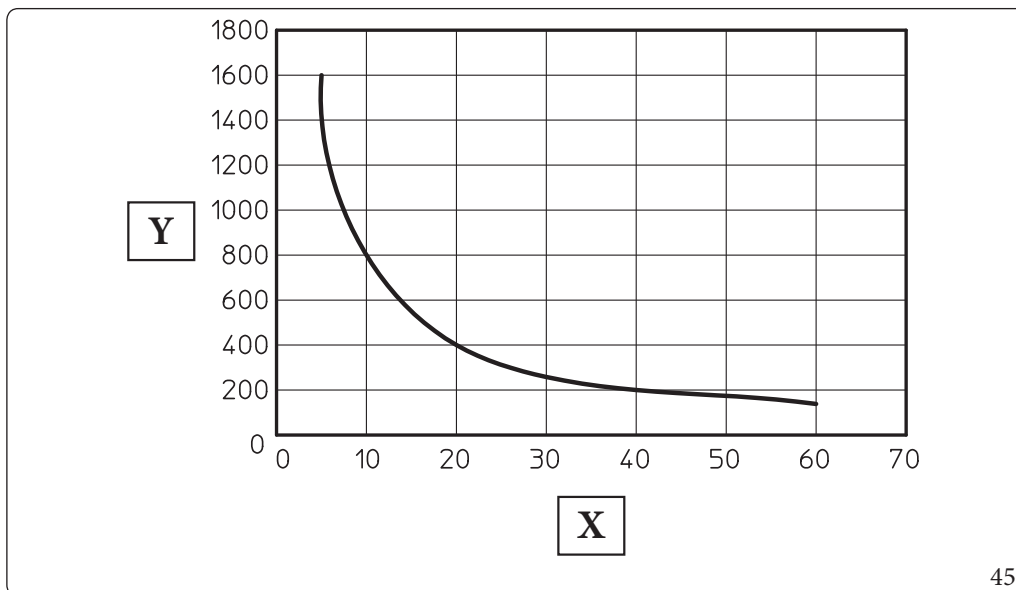
The parameters that influence the duration and proper operation of the heat exchanger are the water's PH, total hardness, conductivity, and oxygen, together with the system's processing residues (any welding residues), any oil present and corrosion products that can, in turn, cause damage to the heat exchanger.

In order to prevent this from happening, you are recommended to:

- clean the system with clean water to eliminate solid residues before installation on new and old systems;
- clean the system with a chemical treatment:
  - clean the new system with a suitable cleaning device (for example Sentinel X300, Fernox Cleaner F3 or Jenaqua 300) combined with thorough washing;
  - clean the old system with a suitable cleaning device (for example Sentinel X400 or X800, Fernox Cleaner F3 or Jenaqua 400) combined with thorough washing;
- Check the maximum total hardness and quantity of filling water referring to the graphics (Fig. 45); if the contents and hardness of the water are below the indicated curve, no specific treatment is required; otherwise, to limit the content of calcium carbonate, you must provide for water-filling treatment.
- If it is necessary to provide for water treatment, it should be done through complete desalination of the filling water. As opposed to the complete softening process, desalinating the water completely not only removes hardening agents (Ca, Mg), but also eliminates all other minerals to reduce water-filling conductivity up to 10 microsiemens/cm. Given its low conductivity, desalinated water does not only prevent the formation of lime scale, but also serves as protection against corrosion.
- Insert a suitable inhibitor / passivator (for example Sentinel X100, Fernox Protector F1, or Jenaqua 100); if required, also insert appropriate antifreeze (such as for example Sentinel X500, Fernox Alphi 11 or Jenaqua 500).
- Check electrical conduction of the water, which should be higher than 2000  $\mu\text{s}/\text{cm}$  in the case of treated water and lower than 600  $\mu\text{s}/\text{cm}$  in the case of non-treated water.
- To prevent corrosion, the water system's PH should be between 7.5 and 9.5.
- Check the maximum content of chlorides, which should be less than 250 mg/l.



For quantities and methods of use of water-treatment products, refer to the instructions provided by their manufacturer.



Key (Fig. 45):

- X - Total water hardness °F
- Y - Litres of system water



The graph refers to the entire life cycle of the system. Therefore, also consider scheduled and unscheduled maintenance, which involves emptying and filling the said system.



## 1.29 SYSTEM FILLING

Once the appliance is connected, proceed with system filling via the filling cock (Part. 30 47).

Filling is performed at low speed to ensure release of air bubbles in the water via the appliance and central heating system vents.

The appliance has a built-in automatic vent valve on the pump.

Then open the radiator vent valves.

Close radiator vent valves when only water escapes from them.

The filling cock must be closed when the appliance pressure gauge indicates approximately 1.2 bar.



During these operations, enable the automatic vent functions on the appliance (Parag. 3.22);

## 1.30 FILLING THE CONDENSATE DRAIN TRAP



**When the appliance is switched on for the first time, combustion products come out of the condensate drain. After a few minutes of operation, check that combustion flue gases are no longer coming out of the condensate drain; this means that the drain trap has filled to a correct condensate height that the flue gases cannot pass through.**

## 1.31 GAS SYSTEM START-UP.

To start up the system, refer to the technical standards in force.

This divides the systems and, therefore, the commissioning operations, into three categories: new systems, modified systems, reactivated systems.

In particular, for new gas systems:

- open windows and doors;
- avoid presence of sparks or naked flames;
- bleed all air from pipelines;
- ensure the internal system is properly sealed according to the specifications set forth by technical regulations in force.

## 1.32 APPLIANCE START-UP (IGNITION)



The display leaves the factory set in Italian. Change the display language by referring to Par.2.5 in the "USER" chapter in the "Changing the display language" item.

INSTALLER

To commission the appliance (the operations listed below must only be performed by qualified personnel and in the presence of staff only):

1. check that the internal system is properly sealed according to the specifications set forth by regulations in force;
2. Ensure that the type of gas used corresponds to the appliance settings (the type of gas appears on the display on first electrical power supply);
3. check that there is no air in the gas pipe;
4. check connection to a 230V-50Hz power mains, correct L-N polarity and the earthing connection;
5. check that the intake/exhaust terminals are not obstructed and that they are installed properly;
6. **Check that the drain trap is full and that it prevents any passage of flue gas into the room;**
7. check that there are no external factors that may cause the formation of fuel pockets;
8. Carry out the flue test (Par. 3.14);
9. **Activate the Quick calibration function (if in the previous check it was necessary to change the flue parameters):** (Par. 3.13);
10. Switch the appliance on and check correct ignition;
11. Make sure that the gas flow rate and relevant pressure values comply with those given in the manual (Par. 4.1);
12. ensure that the safety device intervenes in the event of gas supply failure and check the relative intervention time;
13. Check the activation of the main switch located upstream of the appliance and in the appliance.



Even if just one single safety check provides a negative result, do not commission the system.

USER

MAINTENANCE TECHNICIAN

TECHNICAL DATA

### 1.33 CIRCULATION PUMP

During central heating mode, the Auto and Fixed operating modes are available.

- **T delta = 0:** automatic pump speed and proportional head: the pump speed varies according to the power supplied by the burner, the greater the power the greater the speed. Moreover, within the parameter, it is possible to adjust the pump operating range by setting the "Maximum speed" parameter (adjustable from 6 to 9) and the "Minimum speed" parameter (adjustable from 6 to max set speed).
- **Delta t = 5 ÷ 25 K:** the pump speed varies to maintain the  $\Delta T$  constant between the system flow and return according to set value K ( $\Delta T = 15$  Default).
- **Fixed (6 - 9):** by setting the parameters "Maximum speed" and "Minimum speed" at the same value, the pump operates at constant speed.



For the appliance to work properly, it is not advised to drop below the minimum speed value = 6.



In domestic hot water mode, the circulator pump always runs at full speed.

#### Pump LED.

The LED flashes green when the pump is powered and the pwm control signal is connected.



The LED lights up steady green when the pump is powered and the signal cable disconnected. In these conditions the pump works at maximum and without control.

If the pump detects an alarm, the LED switches from green to red; this can mean one of the following failures:

- low supply voltage;
- rotor seized;
- electrical error.

For a detailed description of the meaning of the red LED, refer to Paragraph 3.7.



The LED, in addition to being green or red, can also remain off.

It is normal for the LED to be off when the pump is not powered, whereas with the pump powered, the LED must be lit: if switched off, it means there is a fault.

#### Pump release.

If after a long period of inactivity, the circulator is blocked, adjust the screw in the centre of the head in order to manually release the motor shaft.

Take great care during this operation to avoid damage to the motor.

#### Bypass Adjustment (Parag. 1.35).

The appliance leaves the factory with the bypass open.

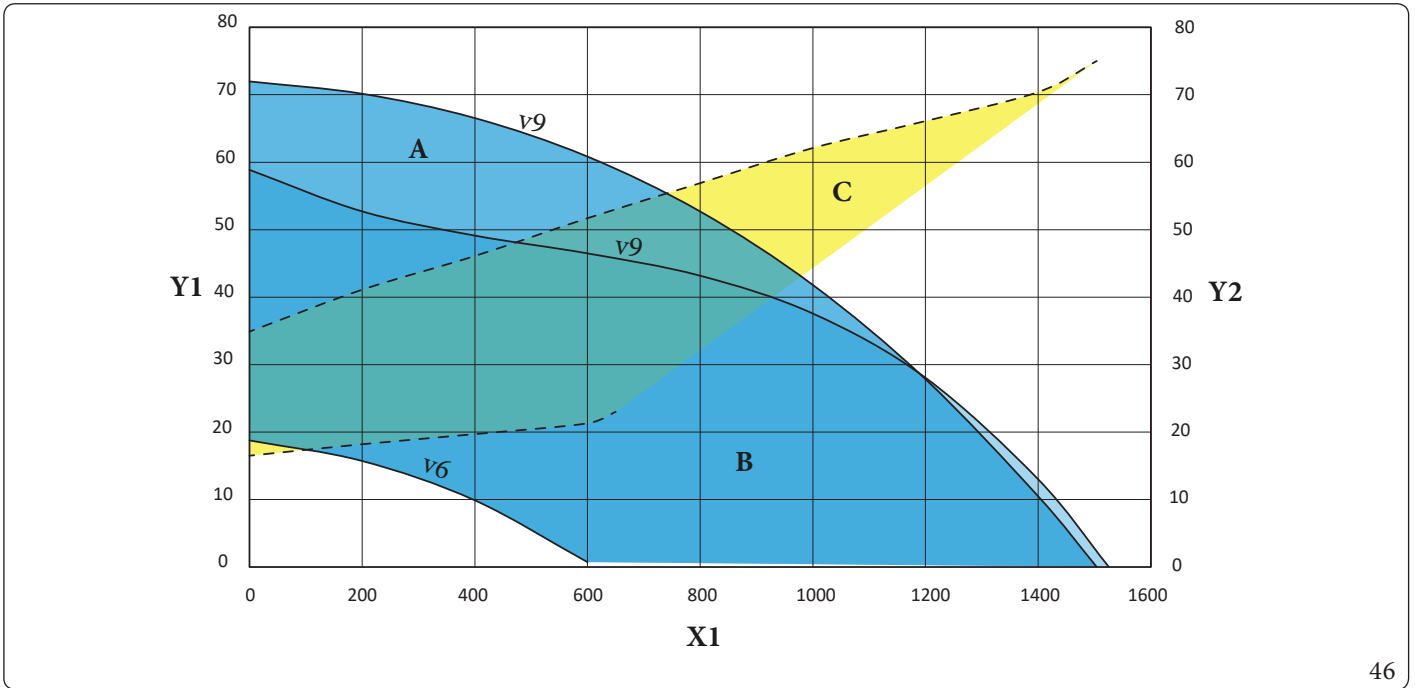
If necessary, the by-pass can be regulated to system requirements from minimum (by-pass closed) to maximum (by-pass open).

Adjust using a flat head screwdriver, turn clockwise and open the by-pass, anticlockwise it is closed.



The bypass ensures minimum circulation of the water in the appliance and its correct operation in case of systems with shut-off components or external hydraulic adjustments.

**Head available to the Victrix Superior 35 Plus system**



46

Key (Fig. 46):

- |   |                                 |
|---|---------------------------------|
| A+B = Head available with bypass closed                               | X1 = Flow rate (l/h)            |
| B = Head available with bypass open                                   | Y1 = Head (kPa)                 |
| C = Power absorbed by the pump with by-pass open/closed (dotted area) | Y2 = Power absorbed by pump (W) |
|   | v6 = Speed 6                    |
|   | v9 = Speed 9                    |



The data of the graph(s) above include the cycloidal filter, which is standard in these models.

### 1.34 KITS AVAILABLE ON REQUEST

- Wireless room probes kit (on request). The wireless room probes kit is the optimal solution for controlling the room temperature. Through it, in fact, it will be possible to set on the individual zones the room temperature with which to control the central heating / C.H. ignition; the central heating / C.H. flow set at which the appliance will operate will be regulated to the ideal temperature for maintaining room comfort, with maximum energy saving.
- Cover kit (on request). If installed outdoors in a partially protected place with direct air intake, it is compulsory to mount the appropriate top protective cover for the correct functioning of the appliance and to protect it from adverse weather conditions.
- Relay board (on request). The appliance is set up for a relay board, which amplifies the features and thus, the operating possibilities.



The above-mentioned kits are supplied complete with instructions for assembly and use. Check the complete list of kits available and which can be combined with the product, consult the Immergas website, the Immergas Price List or the technical-commercial documentation (catalogues and data sheets).

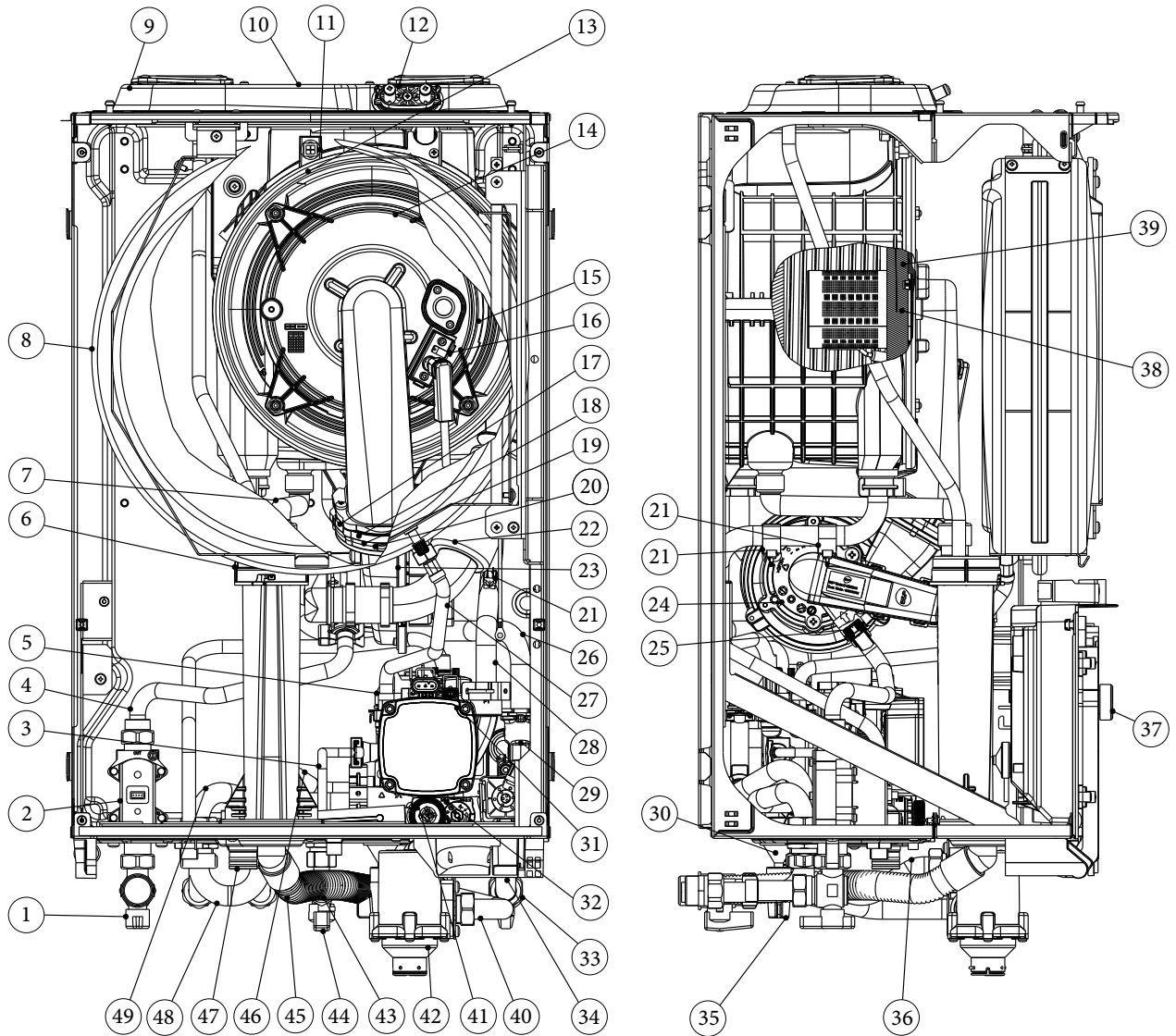
## 1.35 MAIN COMPONENTS

INSTALLER

USER

MAINTENANCE TECHNICIAN

TECHNICAL DATA



47

Key (Fig. 47):

|  |                                       |                                      |
|--|---------------------------------------|--------------------------------------|
| 1 - Gas cock                                   | 18 - Fan assembly                     | 34 - System flow pipe                |
| 2 - Gas valve                                  | 19 - Flue gas non-return valve        | 35 - Hydraulic unit knob             |
| 3 - Filling pipe                               | 20 - Flue gas non-return valve spacer | 36 - Cycloidal filter-appliance pipe |
| 4 - Mixer gas valve pipe                       | 21 - NTC probe                        | 37 - Control panel unit              |
| 5 - Absolute pressure switch                   | 22 - Air intake pipe                  | 38 - Burner                          |
| 6 - Condensate drain trap                      | 23 - Fan                              | 39 - Ecological fibre panel          |
| 7 - Condensate drain extension                 | 24 - Gas mixer                        | 40 - Cycloidal filter pipe           |
| 8 - Expansion vessel                           | 25 - Gas diaphragm                    | 41 - 3 bar safety valve              |
| 9 - Frame                                      | 26 - Manifold module flow pipe        | 42 - Magnetic cycloidal filter       |
| 10 - Flue gas flange                           | 27 - Flexible hose with cup fitting   | 43 - Filling valve pipe              |
| 11 - Double flue probe                         | 28 - Module pump-return pipe          | 44 - Cold water inlet cock           |
| 12 - Flue gas sampling cap with pressure point | 29 - 3-way flow manifold              | 45 - Condensate drain flexible hose  |
| 13 - Heat exchanger                            | 30 - System filling cock              | 46 - Storage tank flow pipe          |
| 14 - Burner gas manifold                       | 31 - Hydraulic unit                   | 47 - Safety valve drain pipe         |
| 15 - Module gasket                             | 32 - Storage tank flow manifold       | 48 - Bypass pipe                     |
| 16 - Ignition glow plug                        | 33 - System shut-off cock             | 49 - Storage tank return pipe        |
| 17 - Fan gasket                                |                                       |                                      |

## 2 INSTRUCTIONS FOR USE AND MAINTENANCE

### 2.1 GENERAL RECOMMENDATIONS



**Never expose the wall-mounted appliance to direct vapours from a hob.**



The device can be used by children at least 8 years old as well as by persons with reduced physical, sensory or mental capabilities, or lack of experience or required knowledge, provided that they are under surveillance, or after they have been instructed relating to the safe use and have understood the potential dangers.

Children must not play with the appliance.

Cleaning and maintenance destined to be performed by the user can not be carried out by unsupervised children.



**For safety purposes, check that the air intake/flue exhaust terminals (if fitted) are not blocked.**



If temporary shutdown of the appliance is required, proceed as follows:

- a) drain the heating system if antifreeze is not used;
- b) shut-off all electrical, water and gas supplies.



In the case of work or maintenance to structures located in the vicinity of ducting or devices for flue extraction and relative accessories, switch off the appliance and on completion of operations ensure that a qualified technician checks efficiency of the ducting or other devices.



**Never clean the appliance or connected parts with easily flammable substances.**



Do not open or tamper with the appliance.



**Never leave containers or flammable substances in the same environment as the appliance.**



Do not take apart or tamper with the intake and exhaust pipes.



Only use the user interface devices listed in this section of the booklet.



**Do not climb on the appliance, do not use the appliance as a support base.**



In the event of malfunctions, faults or incorrect operation, turn the appliance off and contact an authorised company (e.g. the Authorised Technical Assistance Centre, which has specifically trained staff and original spare parts).

Do not attempt to modify or repair the appliance alone.



The use of components involving use of electrical power requires some fundamental rules to be observed such as:

- do not touch the appliance with wet or moist parts of the body; do not touch when barefoot;
- never pull electrical cables or leave the appliance exposed to atmospheric agents (rain, sunlight, etc.);
- the appliance power cable must not be replaced by the user;
- in the event of damage to the power supply cable, switch off the appliance and contact exclusively qualified staff for replacement;
- if the appliance is not to be used for a certain period, disconnect the main appliance external switch.



Water at a temperature of more than 50 °C can cause serious burns. Always check the water temperature before any use.



The temperatures indicated by the display have a tolerance of +/- 3°C due to environmental conditions that cannot be blamed on the appliance.



**If you smell gas in the building:**

- close the gas meter interception device or the main interception device;
- if possible, close the gas interception cock on the product;
- if possible, open doors and windows wide and create an air current;
- do not use open flames (e.g. lighters, matches);
- do not smoke;
- do not use electrical switches, plugs, door bells, telephones or intercom devices in the building;
- call an authorised company (e.g. Authorised Technical Assistance Centre).



if you smell burning or see smoke coming out of the appliance, switch it off, disconnect power, close the main gas cock, open the windows and call an authorised company (e.g. Authorised Technical Assistance Centre).



At the end of its service life, the appliance must not be disposed of like normal household waste nor abandoned in the environment, but must be removed by a professionally authorised company as required by current legislation. Contact the manufacturer for disposal instructions.

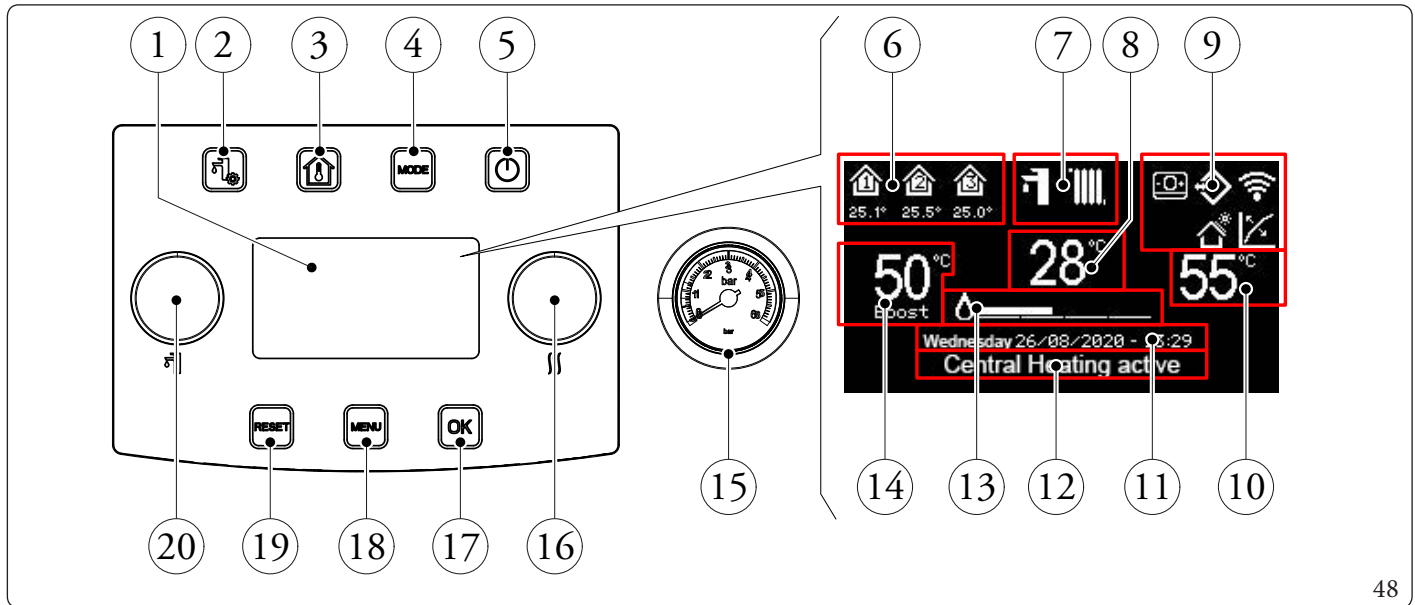


## 2.2 CLEANING AND MAINTENANCE



To preserve the appliance's integrity and keep the safety features, performance and reliability, which distinguish it, unchanged over time, you must execute maintenance operations on a yearly basis in compliance with what is stated in the relative point at "annual check and maintenance of the appliance", in compliance with national, regional, or local standards in force.

## 2.3 CONTROL PANEL



Key (Fig. 48):

- |    |   |    |   |
|----|---|----|---|
| 1  | - Display.  | 11 | - Current date and time display.        |
| 2  | - Domestic hot water button.                          | 12 | - System state.                         |
| 3  | - Zone button.  | 13 | - Power scale.                          |
| 4  | - Functioning mode button.                            | 14 | - DHW (Domestic hot water) set display. |
| 5  | - ON/OFF Button.                                      | 15 | - Pressure gauge.                       |
| 6  | - Zones area (number and information of zone in use). | 16 | - "Set central heating/ C.H." knob.     |
| 7  | - Operating mode.                                     | 17 | - Selection confirmation/ok button.     |
| 8  | - Anomaly code/flow temperature display.              | 18 | - Menu button.                          |
| 9  | - System general icon display.                        | 19 | - Anomalies/esc. reset button.          |
| 10 | - Central heating/ C.H. set display.                  | 20 | - "Set DHW (Domestic hot water)" Knob.  |

## 2.4 USING THE APPLIANCE



Before ignition make sure the central heating system is filled with water and that the pressure gauge (Fig. 48) indicate a value between 1 - 1.2.

If the value is less than 1, the system must be filled by actuating the filling cock (Parag. 1.35) up to the indicated value.







### Display when the appliance is switched on


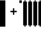

The following are displayed upon ignition:

- Type of panel;
- Panel firmware version;
- Board firmware version.
- Type of selected gas

Once the device has been powered, it goes into the status prior to switch-off. Press the "MODE" button to cyclically select the desired operating mode amongst those available.

The operating mode in use is displayed by the relative icon at the top of the display (Fig. 49) and it is unique for all zones. By pressing any button, the pushbutton panel lights up for a few seconds; in this way it is activated and ready to receive the subsequent commands. Depending on the system's configuration, the main screen displays various information regarding the system itself, amongst which:

| Symbol  | Description and operation   |
|---|---|
|  | Zone identification icon. This icon reverses its colour during the central heating / C.H. demand. The values below the zone icon, respectively indicate the temperature or any errors in such zone. The temperature and any errors are displayed if the wireless room probe is configured; if CAR <sup>V2</sup> is connected, the zone 1 icon will indicate the room temperature read by the CAR <sup>V2</sup> .<br>if no probe is connected or CAR <sup>V2</sup> remains active, only the "home" (zone) icon remains active without any other info below. the word "BMS" appears in case of BMS connection under the zone identification icon. |
|  | Remote management system connection icon (Dominus).   |
|  | Remote control presence icon (CAR <sup>V2</sup> , Smartech Plus - Cascade and zone regulator) and control on the appliance panel is excluded.   |
|  | External probe connection.  |
|  | Connection to wireless room probes (optional).  |
|  | Burner on with flame present (the bar at the side indicates a progressive increase of the power supplied by the burner).  |

| Operating mode  | Description | DHW         | Central heating | Protection function (Antifreeze...) |
|---|-------------|-------------|-----------------|-------------------------------------|
| OFF   | Off         | Disabled    | Disabled        | Disabled                            |
|    | Summer      | (*) Enabled | Disabled        | Activated                           |
|  | Winter      | Enabled     | Enabled         | Activated                           |
|  | Stand-by    | Disabled    | Disabled        | Activated                           |

(\*) When the appliance is connected with an external storage tank unit.

## 2.5 OPERATING MODE

When the appliance is connected to the mains, the display and the lighting of the buttons will be activated.

This lighting will turn off after 10 seconds of inactivity.

To activate a command, you must first activate the keyboard (by pressing any button for 0.5-20 seconds), then press the intended button to enter the specific menu.

The keyboard switches off again after 20 seconds of continuous pressure.

The actual functionality of the buttons is obtained 1 second after being pressed. A close double press will not generate any button action.

Pressing for more than 4 seconds will not generate any action on release.

The appliance can work in the following modes:

- OFF;
- STAND-BY (❄️);
- SUMMER (☀️);
- WINTER (❄️ + 🏠).

If the appliance is at "OFF", press the button "⏻" to activate it. If this is not the case, go to the next point.

Then press the "MODE" button in sequence to set the system to stand-by ❄️, summer ☀️ or winter ❄️ + 🏠 position.

### • "OFF" mode

By pressing button "⏻" for at least 4", the display will show "OFF" and the system will be disabled. In this mode, the safety functions are not guaranteed and the remote devices are disconnected.



**In "Stand-by" and "Off" mode, the appliance is to be considered still live.**

### • "Stand-by" Mode

Press the "MODE" button in succession until the ❄️ symbol appears

In this mode, the system is able to ensure protection functions only, such as: appliance antifreeze function, antiblock function and any anomaly signals (Fig. 49).



**In "Stand-by" and "Off" mode, the appliance is to be considered still live.**

### • Summer

Press the "MODE" button in succession until the ☀️ symbol appears.

In this mode the appliance allows the production of domestic hot water (if the storage tank unit is present) and ensures protection modes (Fig. 49).

### • Winter

Press the "MODE" button in succession until the ❄️ + 🏠 symbol appears.

In this mode the system allows the production of domestic hot water (if the storage tank unit is present) and room central heating and ensures protection functions (Fig. 49).

## Display operation

Below is a description of how to use the control panel, including:

- Enter the menus;
- Moving in the menus;
- Set a menu item;
- Confirming a change;
- Exit without saving.

### • Enter the menus

The control panel menus can be accessed by pressing the buttons (Fig. 48):

- “DHW (Domestic hot water)” to enter the DHW (Domestic hot water) menu;
- “Zones” to enter the Zone menu;
- “Menu” to enter the general settings menu.

### • Moving in the menus

Simply rotate the “Set DHW (Domestic hot water)” knob to scroll the menu items.

The indication “[...]” next to the menu item indicates the availability of a submenu.

Press the “OK” button to access this submenu.

Pressing the “RESET” button goes back to the previous menu page.

### • Set menu item

Go to the menu item to be set following the instructions given previously.

Once the menu item to be set is reached, press “OK” or rotate the “Set Central heating / C.H.” knob to highlight the value to be changed.

Change the value by turning the “Set central heating / C.H.” knob.

### • Confirming a change

At the end of the modification, press “OK” to confirm the change and go back to the previously selected menu item.

### • Exit without saving

If at the end of the modification you press “RESET”, you will return to the previously selected menu item without confirming the modification.

## Changing the display language

The display leaves the factory set in Italian, proceed as follows to change the display language:

- Enter **Menu/Impostazioni generali/Lingua (Menu/General setting/Language)** if the menu is in English).
- Select the desired language from those available and press OK.

## Clock and programs

From this menu, it is possible to set the system's date and time as well as the time slots for operation in Comfort and Economy mode.

### • Date and time.

The date and time can be set by modifying the parameters in the menu

#### Time and program/Settings date and time

| Setting date and time |         |
|-----------------------|---------|
| HOUR                  | ↕ 22:22 |
| DAY                   | 5       |
| MONTH                 | 1       |
| YEAR                  | 2020    |

- **Automatic summer time**

**Time and program/Auto switch to DST**

The automatic adaptation of the time can be enabled or disabled when changing from winter to summer time (and vice versa).

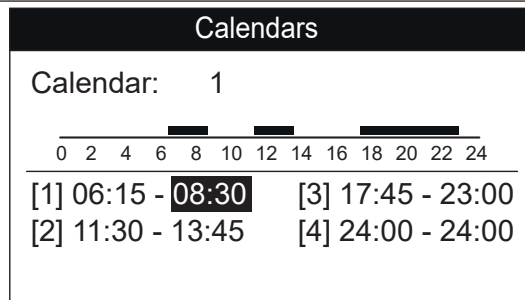
- **Calendars**

It is possible to set 4 calendars with 4 time operating slots in system comfort mode. The system will operate in economy mode during out-of-range time fractions of these 4 time slots.

After setting these 4 calendars it is possible to associate them to the various days of the week in the zone programs, DHW (Domestic hot water) according to one's needs.

Set the time slots by modifying the menu

**Time and program/Calendars**



51

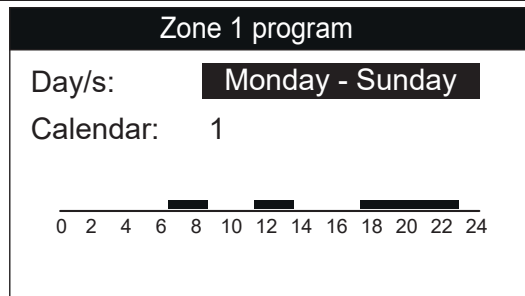
- **Program for Zone 1, Zone 2 (if present), Zone 3 (if present), Central heating and DHW programme.**

In these menus the Central heating and DHW time ranges (calendars from 1 to 4) are assigned to Zone 1, Zone 2 (if present), Zone 3 (if present).

You can assign the calendar to a single day or to a group of days (single day, Monday - Friday, Saturday - Sunday, Monday - Saturday, Monday - Sunday).

Therefore each day may be personalised with 4 different operating programs.

For convenient selection, the bottom part displays the graphics of the relevant calendar being selected (Fig. 52).



52



On the menu

**Zone/Information**

it is possible to identify the status of the various controls managing the central heating / C.H..

- **Holiday program.**

#### Time and program/Holiday program

If required, it is possible to pause system operation for an established period.



Both the DHW (Domestic hot water) control and central heating / C.H. are stopped.

Set the number of system operation suspension days.



The day on which the holiday program is set is counted as the first day of system suspension.  
The program does not take into account the setting time but ends at midnight on the last day set.

The antifreeze function is still ensured during the holiday period.



In case of blackout, the holiday program is cancelled.

## 2.6 DHW MODE



The domestic hot water production can only be managed in combination with a storage tank unit (optional)

"Domestic Hot Water active" appears on the display during the activation.

It is possible to set the domestic hot water temperature adjustment in two ways: MANUAL or AUTOMATIC.

The selection is made by entering the DHW (Domestic hot water) menu ("DHW (Domestic hot water)" button) and setting the "Set management" parameter.

#### Manual adjustment (Man)

The temperature adjustment of the DHW (Domestic hot water) in MAN mode is made using the "Set DHW (Domestic hot water)" knob (Fig. 48) or by modifying the "Set manual" value within the "Domestic Hot Water" menu.

Confirmation can take place in two ways: by pressing the OK button or by waiting two minutes after changing the value.

#### Automatic adjustment (Auto)

The AUTOMATIC domestic hot water temperature adjustment involves setting "Set comfort" and "Set economy" parameters in the "Domestic Hot Water" menu and choosing the calendar inside the menu as indicated below.

#### **Time and program/DHW Program**

In the selected time slots, the DHW (Domestic hot water) set will be automatically set to the "Set comfort" value; outside these, the set DHW (Domestic hot water) will be set to "Set economy" value.

It is possible to temporarily modify the DHW (Domestic hot water) set by setting a manual value using the "Set DHW (Domestic hot water)" knob (Fig. 48).

This setting will be lost when the time slot is next changed.

The forced automatic function can be interrupted by simply pressing the "MODE" button.

#### **Boost function (if the storage tank unit is present)**

It is also possible for Domestic hot water / D.H.W. to set the "Boost" function.

When the Boost is active, the word "Boost" appears in the display below the "Set DHW (Domestic hot water)" temperature (Fig. 48):

To set this function, press the "DHW (Domestic hot water)" button and select the "Boost function" which has three modes (ON - OFF - AUTO):

- **Boost ON:** the appliance keeps the set domestic hot water temperature constant. In this way, the storage tank is heated quickly;
- **Boost OFF:** the storage tank central heating times will be longer and there will be less frequent switch-ons;
- **Auto:** Boost is managed simultaneously with the time slots set on the boiler DHW (Domestic hot water) program or the CAR V2 if present (active in comfort and deactivated in economy).

#### **Anti-Legionella function**

If the anti-legionella function is activated (disabled as a standard), the temperature inside the storage tank is brought to 65°C for 30 minutes.



**Water at temperatures above 50°C can cause severe burns. When the anti-legionella function is activated, always check the water temperature before any use.**

## 2.7 CENTRAL HEATING MODE



To verify if the central heating / C.H. is actually in operation, look at the Zone area icon: if it is full it means that central heating / C.H. is active, otherwise, even when the room thermostat is open, it will be empty.

The central heating / C.H. adjustment can be set in three ways: MANUAL, AUTOMATIC, OFF.

The selection is made by entering the "Zone" menu



In case of single-zone system, only Zone 1 will appear.  
In case of multi-zone system, Zone 2 and/or Zone 3 will also appear.

After having selected the zone of interest, access the menu:

### Settings/Function Mode

#### Use with Room thermostat TA (Optional)



If there is no Room thermostat, the jumper at the ends of terminals 40-41 must be maintained. In this conditions, a continuous request from the Room thermostat is simulated

#### Man functioning mode

With this setting, the central heating / C.H. is manually enabled and will be valid until the subsequent and different setting. When the room temperature (if TA present) exceeds that set on the TA, the central heating / C.H. turns off.

#### Auto functioning mode

By associating a calendar with the relevant zone program, it is possible to determine the time slots for activating the room central heating at a set system temperature.

When the room temperature detected by any Room thermostat is lower than required, the central heating / C.H. is activated (only if requested by the calendar program).

When the room temperature detected by any Room thermostat is higher than required, the room central heating / C.H. is deactivated.

#### Functioning mode Off

Central heating / C.H. always off.



With single-zone systems, the temperature setting for the central heating system is also available on the central heating knob; on multi-zone systems it can be set on the menu Zone\Definition\Regulation.

### Operation with external probe

It is possible to use the thermoregulation functions associated to an external probe.

The appliance is designed for use with an optional external probe.

With the external probe connected, the flow setpoint for room central heating / C.H. is managed by the system depending on the external temperature measured (Par. 1.11).

It is possible to enable thermal adjustment for each individual zone. The symbol is present if the probe is connected and working.

**Use with wireless room probes (Optional)**



Using Central heating / C.H. through the wireless room probes is the optimal solution for controlling the room temperature. With room probes configured and enabled, it will be possible to set on the individual zones the room temperature with which to control the central heating / C.H. ignition; the central heating / C.H. flow set at which the appliance will operate will be regulated to the ideal temperature for maintaining room comfort, with maximum energy saving.

Man functioning mode

With this setting, the central heating is always enabled (regardless of the hourly settings) and the value set on Zone\Settings\Set MAN (room temperature demand) will be valid until the subsequent and different setting. When the room temperature exceeds the set room set, the central heating / C.H. turns off.

Auto functioning mode

There are two room temperature setpoints:

**Zone\Settings\Set AUTO comfort**

**Zone\Settings\Set AUTO reduced**

By associating a calendar with the relevant zone program, it is possible to determine the time slots when to activate the room temperature control set as Comfort (Set Auto Comfort); the reduced room temperature control (Set Auto reduced) will be active in the remaining time intervals. The flow set will be automatically calculated according to the room temperature (If the default setting "Room sensor modul" = YES is maintained).

When the room temperature detected by any Room probe is lower than required, the central heating / C.H. is activated.

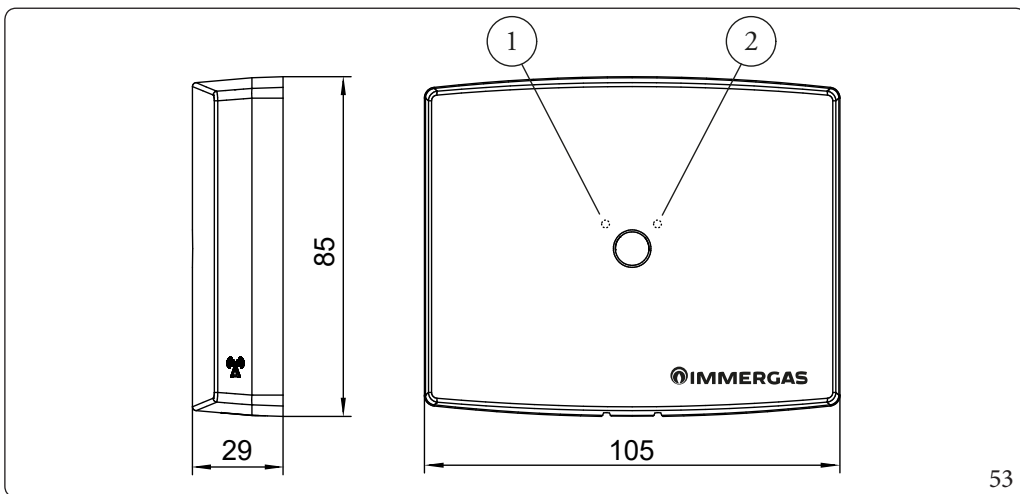
When the room temperature detected by any Room probe is higher than required, the room central heating / C.H. is deactivated.

Functioning mode Off

Central heating / C.H. always off.



The presence of the jumper on the TA contact is required when the central heating / C.H. demand needs to be checked using only the wireless room probes.



Key (Fig. 53):  
 1 - Left LED  
 2 - Right LED

Wireless probe LED behaviour

On the wireless probe there are two LEDs next to the button. The possible signals on these LEDs are the following:

| Status             | Situation                   | Left LED                 | Right LED |
|--------------------|-----------------------------|--------------------------|-----------|
| Normal functioning | Normal functioning          | 1 Flash every 60 seconds |           |
|                    | No association              | 1 Flash every 4 seconds  |           |
|                    | RF transmission in progress |                          | 1 Flash   |

Appliance operation with wireless room probes

The wireless room probe (with concentrator) allows the measurement of the room temperature and sending of this value to the appliance control panel where possible, via the display board, set a weekly program for the room temperature control. There is no manual command or adjustment of the room control on the probe.





The key on the probe and concentrator has no function for the end user.  
It is recommended not act on this button, on any of the devices.

INSTALLER

USER

MAINTENANCE TECHNICIAN

TECHNICAL DATA

#### Room antifreeze function with wireless room probes

The room antifreeze protection is activated when the zone operating mode is set to Off and the appliance is in Winter mode.

The antifreeze function can be deactivated through the menu with Service access.

With zone operation = Off, in case of room sensor fault, the appliance will NEVER receive any room central heating / C.H. request (not even in case of antifreeze). Only the boiler antifreeze function will remain active.

If you want to ensure the room is protected from freezing (also in the presence of any faults on the sensors), it is possible to select the zone operating mode = Manual and set the minimum room set; in these conditions, the probe flow produces a central heating / C.H. request (permanent 24h) with minimum flow set.

#### Boiler flow temperature with wireless room probe

By activating the "Room sensor modul." function, the appliance will automatically manage the flow temperature making it correlated to the actual room need. The appliance flow temperature will vary between the maximum and minimum values set on the zone parameters and will proportionally decrease when the desired room temperature is reached.

By deactivating the "Room sensor modul." function, the appliance flow temperature will remain fixed at the maximum value set on the zone parameters for the entire central heating / C.H. request time; if multi-zones present with several probes, the boiler will provide the highest flow temperature among the requests from the various zones. A different maximum and minimum flow temperature value can be defined for each individual zone.

#### Combined operation of wireless room probe with external probe

If the "Outdoor sensor modul." and "Room sensor modul." functions are kept active, the combined wireless room probe and external probe operation makes it possible to add together the appliance flow temperature calculation actions.

Based on the outdoor temperature, the flow temperature calculation function will determine the maximum flow temperature for the zone (correlated to the temperature outside at that moment). The room probe can further decrease the value based on the rising of the room temperature.

#### Appliance operation in case of wireless room probe fault

##### **Radio communication lost between room probe and concentrator**

Failed data reception by the wireless probe causes the relative error to appear on the display.

Typically the error is reported after 4 minutes; the last reading on the room probe is kept active with consequent central heating mode function referring to this reading.

After 10 minutes of no communication, the appliance determines that the probe is "out of order"; two dashes appear on the display instead of Room T keeping the error signal under the icon of the zone house active.

Operation with room probe "out of order" causes a central heating / C.H. request from the appliance with minimum zone flow set in any selected program condition (permanent 24h).

The only central heating / C.H. off condition is the selection of the OFF status on the zone menu or the Summer selection.

##### **Fault on room sensor NTC**

Already at the first communication of an out of range room value (MAX after 4 minutes), the probe assumes the "out of order" condition; then proceed with the operation described above (permanent central heating / C.H. request at minimum set in any operating condition other than the OFF state).

**Fault on the concentrator (receiver connected to appliance)**

In case of concentrator offline error, the appliance behaves as in probe “out of order” condition.

Adjustments available on display with the presence of wireless room probes

Following correct association, the zones menu is available to manage the central heating / C.H. operation with wireless room probe; if only one zone is associated, the zone 1 menu will be available otherwise, if the appropriate zone actuator boards are connected and set, zone 2 and zone 3 will also be available.

With only 1 zone, the appliance control panel central heating / C.H. adjustment knob will provide the adjustment of the maximum central heating / C.H. temperature (or offset if the external probe is present). The room temperature settings and adjustments are available by accessing the zone menu.

With multiple zones connected, acting on the appliance control panel central heating / C.H. adjustment knob will give direct access to the zone menu where it will be possible to choose the zone of interest and select the size to be varied (both flow temperature and room temperature).

**Adjustment of the central heating system flow temperature**

By acting directly on the “Set central heating / C.H.” knob it is possible to set value “A” (Fig. 14) setting the flow temperature to the system with active request.

No external probe

Without external probe, following central heating / C.H. adjustment using the knob, the display shows the actual temperature set for central heating / C.H.; if the value is not maintained, it is because the functioning mode of the zone is set on A-ECO or OFF (20°C).

External probe present (optional)


The “Set Central heating / C.H.” knob will set the “E” OFF-set (Fig. 14).

With the external probe present, the appliance calculates the central heating system temperature according to the outdoor temperature; in these conditions the user is still allowed to set a correction (offset) on the room temperature using the “Set central heating / C.H.” knob, in relation to the outdoor temperature detected by the probe.

**Operation with Comando Amico Remoto remote control<sup>V2</sup> (CAR<sup>V2</sup>)  (optional)**

In case of single-zone system, this will be managed via CAR<sup>V2</sup>.

In case of multi-zone system, the CAR<sup>V2</sup> will only manage zone 1: zone 2 and/or zone 3 will be managed by the TA and/or room probes.

When the Car V2 is connected, the display will no longer show any setting concerning zone 1, while maintaining the main information. The  symbol will appear on the display. The appliance regulation parameters can be set via the CAR<sup>V2</sup> control panel, all the buttons remain active on the appliance control panel (except the MODE button) and the display where the functioning state is shown.



If the appliance is put into "off" mode, the “ERR>CM” connection error symbol will appear on the CAR<sup>V2</sup>. The CAR<sup>V2</sup> is however powered constantly so as not to lose memorised programs.



The presence of the jumper on the TA contact is required when the central heating / C.H. demand needs to be checked using only CAR<sup>V2</sup>.

## 2.8 PARAMETERS AND INFORMATION MENU

There are 3 Settings menus (Fig. 48):

**DHW:** accessible from the DHW button (2);

**Zones:** accessible by pressing the zone button (3);

**General settings menu:** accessible by pressing the menu button (18).



Some menu settings appear only when the options are actually connected and working.



The parameters referring to zone 2 can only be displayed if there is a zone 2 on the system and it is configured correctly.  
The parameters referring to zone 3 can only be displayed if there is a zone 3 on the system and it is configured correctly.

### DHW Menu (if the storage tank unit is present).


Press the "DHW (Domestic hot water)" button to access a list of variables that enable you to customise use of the DHW (Domestic hot water).

Hereunder is a list of available menus:

| DOMESTIC HOT WATER |   |             |         |                  |
|--------------------|---|-------------|---------|------------------|
| Menu item          | Description   | Range       | Default | Customised value |
| DHW control        | Boiler = informs that the DHW control is managed from the boiler panel  |             |         |                  |
|                    | Remote = informs that the DHW control is managed by CAR v2  |             |         |                  |
| Temperature        | Temperature read by the DHW probe   |             |         |                  |
| Boost function (*) | Sets the DHW (Domestic hot water) boost function management:  | Off-On-Auto | On      |                  |
|                    | Boost: Off = always off   |             |         |                  |
|                    | On = always on  |             |         |                  |
|                    | Auto = managed as required by the DHW (Domestic hot water) program  |             |         |                  |
| Set management (*) | Sets the DHW (Domestic hot water) set control mode:   | Auto-Man    | Man     |                  |
|                    | Auto = the DHW (Domestic hot water) set will be controlled at two levels, according to the DHW (Domestic hot water) program.                                  |             |         |                  |
|                    | Man = the DHW (Domestic hot water) set will always be fixed at the manual value (regardless of the DHW (Domestic hot water) program)                          |             |         |                  |
| Set comfort        | Sets comfort set (comfort set will be active during the active time slots of the DHW (Domestic hot water) program if "Set management = Auto" is selected)     | 10 ÷ 60 °C  | 50 °C   |                  |
| Set economy        | Sets reduced set (economy set will be active during the NON active time slots of the DHW (Domestic hot water) program if "Set management = Auto" is selected) | 10 ÷ 60 °C  | 30 °C   |                  |
| Set manual         | Sets manual set (manual set will be active 24 hours a day if "Set management = Man" is selected)  | 10 ÷ 60 °C  | 10 °C   |                  |

(\*) See the DHW paragraph (Parag. 2.6)

**Zones Menu.**

Press the “Zones” BUTTON  to access a list of variables that enable you to customise use of the zones. Hereunder is a list of available menus:

| ZONES      |  |
|------------|--|
| Menu item  | Description  |
| Zone 1     | Defines the operating parameters to manage zone 1 (or the entire system if single-zone). |
| Zone 2 (*) | Defines the operating parameters to manage the zone 2 (if present).                      |
| Zone 3 (*) | Defines the operating parameters to manage the zone 3 (if present).                      |

(\*) if present.



The following tables will appear the same also for any Zone 2 and Zone 3.

| ZONES/Zone 1 |   |
|--------------|---|
| Menu item    | Description   |
| Information  | This displays the system operating data                   |
| Settings     | Defines the operating parameters to manage zone 1         |
| Definition   | Defines any further operating parameters to manage zone 1 |

| ZONES/ZONE 1/Information |   |                         |
|--------------------------|---|-------------------------|
| Menu item                | Description   | Range                   |
| Room temperature (***)   | Room temperature read on zone 1   | 0°C ÷ 50°C              |
| Room Set (**)(***)       | Room temperature set on zone 1  | 5°C ÷ 35°C              |
| Working mode status      | Mode set on zone 1  | Off/ A-ECO/ A-COMF/ Man |
| Room thermostat status   | Status of the room thermostat on zone 1                                 | Open/ Close             |
| Set CH                   | This displays the zone 1 flow set                                       | 25°C ÷ 85°C             |
| Plant                    | Information related to the type and presence or absence of a room probe |                         |



Zone 1 Information Menu is always present regardless of whether or not a CAR<sup>V2</sup> is connected.

(\*\*) not displayed when the “Req. with room probe” is set to NO

(\*\*\*) displayed when the zone of interest is associated with a room probe (RF probe,...)

**Zone menu description/Information**

- **Operation status**

- OFF = off;
- A-ECO = means that the zone is in the time slot where the central heating / C.H. has been programmed to be deactivated;
- A-COMF = means that the zone is in the time slot where the central heating / C.H. has been programmed to be activated and running if the room thermostat is closed;
- Man = central heating / C.H. is always active and the relative time program is not considered.

- **Room thermostat status**

- if open, there is no central heating / C.H. request in progress (until it is closed);
- if closed, it will go in combination with the appliance programming.

- **Central heating / C.H. set**

- info on the actual active set in real time (depends on the central heating / C.H. programming or any external probe).

| ZONES/Zone 1/Information/Plant |   |                      |
|--------------------------------|---|----------------------|
| Menu item                      | Description   | Range                |
| Room probe                     | This displays or not the presence of the room probe   | OFF = No probe       |
|                                |   | WIRED = Not used     |
|                                |   | RF = Probe present   |
|                                |   | OT = CAR V2 presence |
| Water circuit                  | If zone board is present, it informs about the type of system in use in the zone.   | DIR = Direct circuit |
|                                |   | MIX = Mixed circuit  |
| CH temperature                 | Zone board absent: the temperature read is the one to the boiler outlet   | 0°C ÷ 99°C           |
|                                | Zones control unit present + information request relating to mixed zone: the temperature read is that at the mixing valve outlet. |                      |

INSTALLER

| ZONES/Zone 1/Settings (1) |  |                  |         |                  |
|---------------------------|--|------------------|---------|------------------|
| Menu item                 | Description  | Range            | Default | Customised value |
| Function Mode (1)         | Sets the zone 1 operating mode   | Off / Man / Auto | Man     |                  |
| Set AUTO comfort (2)      | Zone 1 room temperature correlated to the active time slots of the zone 1 calendar     | 10°C ÷ 35°C      | 20°C    |                  |
| Set AUTO reduced (2)      | Zone 1 room temperature correlated to the NON active time slots of the zone 1 program  | 5°C ÷ 30°C       | 16°C    |                  |
| Set MAN (3)               | Zone 1 room temperature that can be activated by selecting the operating mode = manual | 5°C ÷ 35°C       | 20°C    |                  |
| Weather comp. offset (4)  | Zone 1 flow temperature correction in relation to external probe detection             | -9°C ÷ 9°C       | 0°C     |                  |
| Maximum flow set (5)      | Maximum zone 1 flow temperature  | 20°C ÷ 85°C      | 85°C    |                  |

USER

(1) **The entire menu is not displayed** if remote device present

(2) **Not displayed** when:

- the "Operating mode" parameter is set to "Man" or "Off"
- lack or unavailability of room probes

(3) **Not displayed** when:

- the "Operating mode" parameter is set to "Auto" or "Off"
- lack or unavailability of room probes

(4) **Not displayed** when:

- the external probe is missing
- the "Operating mode" parameter is set to "Off"

(5) **Not displayed** when:

- the external probe is present
- a room probe is configured
- the "Req. with room probe" parameter is set to "Yes"

MAINTENANCE TECHNICIAN

TECHNICAL DATA

| ZONES/Zone 1/Definition/Regulation |  |             |         |                  |
|------------------------------------|--|-------------|---------|------------------|
| Menu item                          | Description  | Range       | Default | Customised value |
| Weather comp. offset (1)           | With external probe present, the offset value can be set with respect to the climatic curve. | -9°C ÷ 9°C  | 0°C     |                  |
| Maximum flow set                   | Defines the maximum flow temperature of central heating / C.H. system operation              | 20°C ÷ 85°C | 85°C    |                  |

(1) **Not displayed** when:

- the external probe is missing
- the “Operating mode” parameter is set to “Off”

#### Main Menu.

Press the “MENU” button to access a list of variables that enable you to customise use of the system.

Hereunder is a list of available menus:

| MENU                  |   |
|-----------------------|---|
| Menu item             | Description   |
| Time and program      | Defines the date/time and time operating slots  |
| Information           | Display system operating data   |
| Historical alarm code | Displays the list of the last 10 anomalies  |
| General settings      | Allows selecting the panel operating language, the display operating mode and to access the password-protected menus dedicated to a qualified technician. |

| MENU/Time and program  |   |                    |         |                  |
|------------------------|---|--------------------|---------|------------------|
| Menu item              | Description   | Range              | Default | Customised value |
| Settings date and time | Current date and time setting   |                    |         |                  |
| Auto switch to DST     | Automatic time setting when changing from winter to summer time (and vice versa).   | Yes - No           | Yes     |                  |
| Calendars              | Defines the time range for operation in Comfort and Economy mode  |                    |         |                  |
| Zone 1 program         | Zone 1 time scheduling  |                    | CAL3    |                  |
| Zone 2 program         | Zone 2 time scheduling (if present)   |                    | CAL3    |                  |
| Zone 3 program         | Zone 3 time scheduling (if present)   |                    | CAL3    |                  |
| (*) DHW Program        | DHW operation time programming  |                    | CAL3    |                  |
| Holiday program        | Defines the period during which the system disables both hot water heating and room central heating functions. At the end of the set days, the previously active functions will be reset. | Off - 1 ÷ 30 Day/s | Off     |                  |

(\*) When the appliance is connected with an external storage tank unit.

| Menu/Information      |   |
|-----------------------|---|
| Menu item             | Description   |
| Gas type              | Gas type display: NG (Methane), LG (L.P.G.), AP (propane air)   |
| CH temperature        | Flow temperature display  |
| (*)DHW temperature    | Storage tank/DHW (Domestic hot water) outlet temperature display  |
| Set CH                | This displays the set central heating / C.H. temperature set  |
| Set DHW               | Set DHW (Domestic hot water) temperature display  |
| External temperature  | View the external temperature, if the external probe is present (optional)  |
| Input DHW temperature | Not used on this model  |
| CH Return temperature | Return temperature display  |
| CH2 temperature       | Safety flow probe display   |
| Common flow probe     | Displays the temperature read on the system flow probe (optional)   |
| Duty pump command     | Displays the pump speed command   |
| Flow pump             | System flow rate display  |
| Flow rate             | Not used on this model  |
| Fan speed             | Fan speed display (rpm)   |
| Boiler exhaust temp.  | Flue gas temperature display  |
| Solar storage temp.   | Not used on this model  |
| Solar collector temp. | Not used on this model  |
| Maintenance withing   | This displays the number of days within which maintenance must be carried out. After the days or with the function deactivated, the line is not displayed |
| Main board rev. SW    | Boiler board sw version display   |
| Firmware version      | Display board sw version display  |

(\*) When the appliance is connected with an external storage tank unit.

| MENU/Historical alarm code |  |
|----------------------------|--|
| Menu item                  | Description  |
| Boiler                     | Allows the selection of the boiler anomaly history.                  |
| Room probe                 | Allows the selection of the room probe anomaly history (if present). |

| MENU/Historical alarm code/Boiler |   |
|-----------------------------------|---|
| Menu item                         | Description   |
| Show alarm                        | This displays the boiler anomaly history. The size of the anomaly history is equal to 10 anomalies and they are displayed in decreasing order of appearance (no.1 is the most recent). The displayed anomalies are accompanied by the time and date of the anomaly being generated. |

| MENU/Historical alarm code/Room probe |   |
|---------------------------------------|---|
| Menu item                             | Description   |
| Show alarm                            | Displays the room probe anomaly history (if present). The size of the anomaly history is equal to 10 anomalies and they are displayed in decreasing order of appearance (no.1 is the most recent). The displayed anomalies are accompanied by the time and date of the anomaly being generated. |

INSTALLER

USER

MAINTENANCE TECHNICIAN

TECHNICAL DATA

| MENU/General settings |  |       |  |                  |
|-----------------------|--|-------|--|------------------|
| Menu item             | Description  | Range | Default                                    | Customised value |
| Language              | Defines the remote panel operation language  |       | ITA (*)                                    |                  |
| Display               | It is possible to adjust the contrast and lighting of the display. The lighting (available on two levels) can be automatically selected as fixed or variable during the boiler operation or user access to the display |       | Contrast:<br>5<br>Display lighting:<br>Min |                  |
| Menu access level     | Allows the entry of an access code to access the parameter customisation menus according to ones needs (dedicated to a qualified technician)   |       |  |                  |
| User factory settings | Resets the user parameters to default state  |       |  |                  |


(\*) The display leaves the factory set in Italian. To change the display language, see Par. 2.5 in the “USER” chapter, under “Changing the display language”.

In case the user restores the factory conditions through "Menu/General settings/User factory settings", the menu will appear in English. Proceed in the following way to restore the desired display language:

- Enter **Menu/General setting/Language**.
- Select the desired language from those available and press OK.



## 2.9 FAULT AND ANOMALY SIGNALS

The appliance indicates a possible anomaly through a code flanked by the symbol of a key “” in the centre of the display and the message “boiler anomaly” at the bottom of the display itself (Fig. 48).

| Error Code   | Anomaly signalled  | Cause  | Appliance status / Solution   |
|--|--|--|---|
| 01   | <b>No ignition block</b>                                   | In the event of request of room central heating or domestic hot water production, the boiler does not switch on within the preset time. Upon appliance commissioning or after extended downtime, it may be necessary to eliminate the block. | Press the Reset button (1)  |
| 02   | <b>Safety thermostat block (overheating safety device)</b> | During normal operation, if a fault causes excessive overheating internally, the boiler goes into overheating block.   | Press the Reset button (1)  |
| 03   | <b>Flue safety thermostat block</b>                        | During normal operation, if a fault causes excessive flue gas overheating, the boiler blocks.  | Press the Reset button (1)  |
| 04   | <b>Contacts resistance block</b>                           | The P.C.B. detects a fault on the gas valve supply. Check its connection. (the anomaly is detected and displayed only in the event of a request).  | Press the Reset button (1)  |
| 05   | <b>Delivery probe fault</b>                                | The board detects an anomaly on the flow NTC probe.  | The appliance does not start (1)  |
| 07   | <b>Chimney sweep function</b>                              | The boiler is in chimney sweep function or complete/quick calibration.   | (3)   |
| 08   | <b>Maximum N° of resets</b>                                | Number of allowed resets already performed.  | The anomaly can be reset 5 times consecutively, after which the function is inhibited for at least one hour. One attempt is gained every hour for a maximum of 5 attempts. By switching the appliance on and off again, the 5 attempts are re-acquired. |
| 10   | <b>Insufficient system pressure</b>                        | Water pressure inside the central heating circuit that is sufficient to guarantee the correct operation of the boiler is not detected.   | Check the appliance pressure gauge to ensure the system pressure is between 1-1.2 bar and restore the correct pressure, if necessary.   |
| 12   | <b>Storage tank probe anomaly</b>                          | The board detects an anomaly on the storage tank probe.  | The appliance cannot produce domestic hot water (1)   |
| <b>(1) If the shutdown or fault persists, contact an authorised company (e.g. Authorised Service Centre)</b> |  |  |   |
| <b>(2) The anomaly can only be verified in the list of errors in the “Information” menu</b>                  |  |  |   |
| <b>(3) Error displayed only on CAR<sup>V2</sup></b>  |  |  |   |

INSTALLER

USER

MAINTENANCE TECHNICIAN

TECHNICAL DATA

| Error Code | Anomaly signalled  | Cause  | Appliance status / Solution  |
|------------|--|--|--|
| 15         | <b>Configuration error</b>   | If the board detects an anomaly or incongruity on the electric wiring, the boiler will not start.  | If normal conditions are restored, the appliance restarts without having to be reset. Check that the boiler is configured correctly (1)  |
| 16         | <b>Fan anomaly</b>   | This occurs if the fan has a mechanical or electrical fault.   | Press the Reset button (1)   |
| 20         | <b>Parasite flame block</b>  | This occurs in the event of a leak on the detection circuit or anomaly in the flame control unit.  | Press the Reset button (1)   |
| 23         | <b>Return probe anomaly</b>  | The board detects an anomaly on the return NTC probe.  | The appliance always works with the pump at maximum speed (1)  |
| 29         | <b>Flue probe anomaly</b>  | The board detects an anomaly on the flue gas probe.  | The appliance does not start (1)   |
| 30         | <b>Combustion model setting request</b>                            | The combustion model identification parameter setting is incorrect or does not support the firmware evolution of the combustion control board.   | (1)  |
| 31         | <b>Loss of remote control communication</b>                        | This occurs if an incompatible remote control is connected, or if communication between the boiler and the remote control is lost or incorrect connection to the terminals.  | Disconnect and reconnect the power to the appliance. If the Remote Control is still not detected on re-starting, the appliance will switch to local operating mode, i.e. using the controls on the control panel. Check the correct connection to the terminals (1). |
| 36         | <b>IMG Bus communication loss</b>                                  | Communication between the various components is interrupted due to an anomaly on the boiler control unit, on the zone control unit or on the IMG Bus.  | The appliance does not satisfy the central heating requests (1)  |
| 37         | <b>Low power supply voltage value</b>                              | This occurs when the power supply voltage is lower than the allowed limits for the correct boiler operation.   | If normal conditions are restored, the appliance restarts without having to be reset (1)   |
| 38         | <b>Loss of flame signal</b>  | This occurs when the boiler is ignited correctly and the burner flame switches off unexpectedly; a new attempt at ignition is performed and if normal conditions are restored, the boiler does not have to be reset. | If normal conditions are restored, the appliance restarts without having to be reset (1) (2)   |
| 43         | <b>Block due to loss of flame signal</b>                           | This occurs if the "Flame signal loss" error occurs many times in a row within a preset period (38).   | Press the Reset button, before restarting, the appliance will run a post-ventilation cycle. (1)  |
| 44         | <b>Block for exceeding gas valve frequent maximum opening time</b> | This occurs if the gas valve remains open for longer than required for normal operation, without the boiler switching on.  | Press the Reset button (1)   |

(1) If the shutdown or fault persists, contact an authorised company (e.g. Authorised Service Centre)

(2) The anomaly can only be verified in the list of errors in the "Information" menu

(3) Error displayed only on CAR<sup>V2</sup>

| Error Code   | Anomaly signalled   | Cause  | Appliance status / Solution   |
|--|---|--|---|
| 45   | <b>High T Delta</b>   | The boiler detects a sudden, unexpected increase in the $\Delta T$ between the flow probe and the system return probe.   | The power of the burner is limited to prevent damage to the condensation module and once the right $\Delta T$ is restored, the appliance resumes regular operation. Make sure there is water circulating in the boiler, that the pump is configured according to system requirements and that the return probe works properly (1) |
| 46   | <b>Intervention of DIM v2 safety thermostat or Low temperature safety thermostat outside the boiler</b> | During normal operation, if an anomaly causes excessive overheating of the flow temperature in low temperature conditions, the boiler blocks.  | In this case, after suitable cooling, it is possible to reset the thermostat (see relative instructions sheet) (1)  |
| 47   | <b>Burner power limitation</b>  | Should flue high temperature be detected, the boiler reduces power supplied so as not to damage it.  | (1)   |
| 48   | <b>System flow probe anomaly</b>  | The board detects an anomaly on the system flow probe (Optional).  | The appliance works with possible system temperature oscillations (1)   |
| 49   | <b>High temperature block on return probe</b>   | The temperature measured by the return probe is above 90°C. The block is with manual reset.  | The error disappears when the temperature detected by the return probe drops below 70°C. Press the Reset button (1)   |
| 51   | <b>RF communication failure towards CAR v2 RF</b>   | If there is no communication between the boiler and Wireless version CAR, an anomaly is signalled. From this moment, it is only possible to control the system by means of the control panel of the boiler itself. | Check operation of the Wireless CAR, check the battery charge (refer to the relative instructions booklet).   |
| 59   | <b>Electric power supply mains frequency anomaly</b>  | The board detects a main supply voltage frequency anomaly.   | The appliance does not start (1)  |
| 60   | <b>Anomaly pump blocked</b>   | The pump is stopped due to one of the following causes: Impeller blocked, electrical fault.  | Try to unblock the pump as described in the relative section. If normal conditions are restored, the appliance restarts without having to be reset (1)  |
| 61   | <b>Air in circulator pump anomaly</b>   | Air is detected inside the pump; the pump cannot work.   | Vent the pump and the central heating circuit. If normal conditions are restored, the appliance restarts without having to be reset (1)   |
| <b>(1) If the shutdown or fault persists, contact an authorised company (e.g. Authorised Service Centre)</b> |   |  |   |
| <b>(2) The anomaly can only be verified in the list of errors in the “Information” menu</b>                  |   |  |   |
| <b>(3) Error displayed only on CAR<sup>v2</sup></b>  |   |  |   |

| Error Code   | Anomaly signalled  | Cause  | Appliance status / Solution  |
|--|--|--|--|
| 62   | <b>Complete calibration required</b>                           | Missing calibration is detected by the P.C.B. It may occur in the event the P.C.B. is replaced or if the parameters are altered in the air / gas section, thus requiring "complete calibration". | The appliance does not start (1)   |
| 72   | <b>Fast calibration required</b>                               | The P.C.B. detects that some parameters have been altered, thus requiring "fast calibration".  | The appliance does not start (1)   |
| 73   | <b>High deviation between flow probe and safety flow probe</b> | Faulty flow sensor or not correctly inserted.  | If normal conditions are restored, the appliance restarts without having to be reset (1)     |
| 74   | <b>Safety flow probe anomaly</b>                               | The board detects an anomaly on the NTC safety flow probe.   | The appliance does not start (1)   |
| 77   | <b>Combustion control anomaly</b>                              | Out of range current is detected on the gas valve.   | The appliance does not start (1)   |
| 78   | <b>Combustion control anomaly</b>                              | High current on the gas valve is detected.   | The appliance does not start (1)   |
| 79   | <b>Combustion control anomaly</b>                              | Reduced current on the gas valve is detected.  | The appliance does not start (1)   |
| 80   | <b>Block - gas valve driver issue</b>                          | This occurs in the event of malfunctions of the P.C.B. that controls the valve.  | Press the Reset button (1)   |
| 84   | <b>Combustion anomaly (Power reduction in progress)</b>        | A low supply pressure is detected on the gas line. As a result the appliance power is limited and the anomaly is reported.   | If normal conditions are restored, the appliance restarts without having to be reset (1) (2) |
| 87   | <b>Block - gas valve control</b>                               | A malfunction of one of the components that controls the gas valve has been detected.  | The appliance does not start (1)   |
| 88   | <b>Block - gas valve control</b>                               | A malfunction of one of the components that controls the gas valve has been detected.  | The appliance does not start (1)   |
| 89   | <b>Combustion signal unstable</b>                              | The flame is unstable due to: presence of flue gas recirculation, wind, unstable gas pressure, unstable fan speed, or due to system malfunction.   | The appliance keeps working (1) (2)  |
| 90   | <b>Combustion signal beyond limit</b>                          | The combustion signal is beyond the adjustment range required for an extended period of time.  | The appliance keeps working (1) (2)  |
| 91   | <b>Incorrect ignition block</b>                                | The board has exhausted all possible actions in order to obtain optimal ignition of the burner.  | Press the Reset button (1)   |
| <b>(1) If the shutdown or fault persists, contact an authorised company (e.g. Authorised Service Centre)</b> |  |  |  |
| <b>(2) The anomaly can only be verified in the list of errors in the "Information" menu</b>                  |  |  |  |
| <b>(3) Error displayed only on CAR<sup>V2</sup></b>  |  |  |  |

| Error Code   | Anomaly signalled   | Cause   | Appliance status / Solution   |
|--|---|---|---|
| 92   | <b>Fan revs correction limit</b>                              | The system has exhausted all possible corrections of the number of fan revs.  | The appliance keeps working (1) (2)   |
| 93   | <b>Combustion signal beyond limit</b>                         | The combustion signal is beyond the adjustment range required for a limited period of time.   | The appliance keeps working (1) (2)   |
| 94   | <b>Combustion anomaly</b>                                     | A problem is detected on the combustion control, which may be due to: gas low pressure, flue recirculation, defective gas valve or P.C.B. | If normal conditions are restored, the appliance restarts without having to be reset (1) (2)  |
| 95   | <b>Combustion signal discontinuous</b>                        | The system detects a discontinuous combustion signal.   | The appliance keeps working (1) (2)   |
| 96   | <b>Clogged flue</b>   | This occurs in the event an obstruction is detected in the flue system.   | The appliance does not start (1). If normal conditions are restored the boiler restarts without having to be reset<br>If error 96 appears after the Technician has made changes on the "flue" parameters, it is necessary to perform a "quick calibration". |
| 98   | <b>Block - maximum no. of software errors</b>                 | The maximum number of software errors possible has been reached.  | Press the Reset button (1)  |
| 99   | <b>General block</b>  | A boiler anomaly has been detected.   | Press the Reset button (1)  |
| 121*   | <b>Zone 1 device offline alarm</b>                            | Low quality or no radio communication between the zone 1 wireless probe and the concentrator.   | Check receiver/sensor positioning<br>Check probe battery (1)  |
| 122*   | <b>Zone 2 device offline alarm</b>                            | Low quality or no radio communication between the zone 2 wireless probe and the concentrator.   | Check receiver/sensor positioning<br>Check probe battery (1)  |
| 123*   | <b>Zone 3 device offline alarm</b>                            | Low quality or no radio communication between the zone 3 wireless probe and the concentrator.   | Check receiver/sensor positioning<br>Check probe battery (1)  |
| 125*   | <b>Zone 1 room temperature probe anomaly</b>                  | Faulty room sensor (resistor open or short circuit).  | Replace room probe (1)  |
| 126*   | <b>Zone 2 room temperature probe anomaly</b>                  | Faulty room sensor (resistor open or short circuit).  | Replace room probe (1)  |
| 127*   | <b>Zone 3 room temperature probe anomaly</b>                  | Faulty room sensor (resistor open or short circuit).  | Replace room probe (1)  |
| 138  | <b>Screed heater in progress</b>                              | Signalling to remote screed heater function devices (except CAR <sup>V2</sup> ).  | (1)   |
| 139  | <b>Deaeration in progress</b>                                 | Signalling to remote venting function devices (except CAR <sup>V2</sup> ).  | (1)   |
| 141  | <b>Alarm due to connection to outdated zones control unit</b> | The zones control unit does not have suitable firmware for communicating with the boiler.   | Update zones control unit fw (or replace the board with the latest version) (1)   |
| <b>(1) If the shutdown or fault persists, contact an authorised company (e.g. Authorised Service Centre)</b> |   |   |   |
| <b>(2) The anomaly can only be verified in the list of errors in the "Information" menu</b>                  |   |   |   |
| <b>(3) Error displayed only on CAR<sup>V2</sup></b>  |   |   |   |

INSTALLER

USER

MAINTENANCE TECHNICIAN

TECHNICAL DATA

| Error Code   | Anomaly signalled                               | Cause  | Appliance status / Solution  |
|--|---|--|--|
| 142  | <b>Dominus Offline Alarm</b>                    | The Dominus is disconnected or not powered. No communication between Dominus and the boiler.   | Check that the Dominus is correctly connected and powered<br>Replace the Dominus or the display board (1)  |
| 144*   | <b>BMS Offline Alarm</b>                        | The BMS interface has lost communication with the master   | (1)  |
| 145*   | <b>Conflict alarm on Master definition</b>      | The settings made on the parameters and the external connections generate a conflict between them on the unique definition of Master device for system control (e.g. activation of the BMS or Dominus Superior dialogue together with the presence of CARv2) | (1)  |
| 177  | <b>DHW maximum time alarm</b>                   | The DHW request was made exceeding a preset maximum time.  | (1)  |
| 178  | <b>Anti-legionella cycle not successful</b>     | The anti-legionella cycle was not completed successfully within a preset time.   | Check the set anti-legionella time.<br>Check the thermal exchange to the storage tank.<br>The error is reset by changing the operating mode, or by pressing the ON - OFF button (1). |
| 300*   | <b>RF address 0 concentrator off-line alarm</b> | Lack of communication on BUS (wires) between concentrator with address "0" and boiler.   | Check concentrator-boiler-display board connection wiring<br>Check correct association<br>Replace concentrator board or display board (1)  |
| 301*   | <b>RF address 1 concentrator off-line alarm</b> | Lack of communication on BUS (wires) between concentrator with address "1" and boiler.   | Check concentrator-boiler-display board connection wiring<br>Check correct association<br>Replace concentrator board or display board (1)  |
| 302*   | <b>RF address 2 concentrator off-line alarm</b> | Lack of communication on BUS (wires) between concentrator with address "2" and boiler.   | Check concentrator-boiler-display board connection wiring<br>Check correct association<br>Replace concentrator board or display board (1)  |
| <b>(1) If the shutdown or fault persists, contact an authorised company (e.g. Authorised Service Centre)</b> |   |  |  |
| <b>(2) The anomaly can only be verified in the list of errors in the "Information" menu</b>                  |   |  |  |
| <b>(3) Error displayed only on CAR<sup>v2</sup></b>  |   |  |  |

(\*) Errors visible below zone area icons.



The reset of the error signal (following a solving operation) can take up to 10 minutes. It is recommended to "force" the communication between the probe and concentrator by briefly pressing the probe button; in this way the RF communication between the two devices will be forced and the error signal will be quickly cancelled.

## 2.10 APPLIANCE SWITCH-OFF

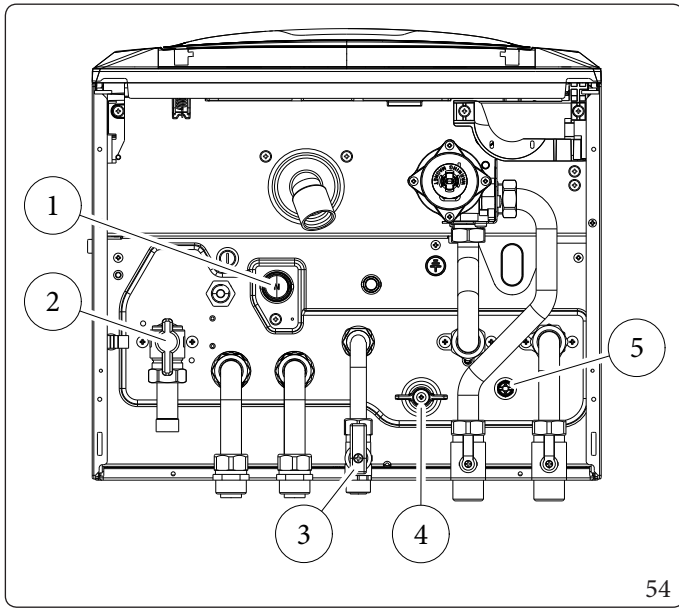
Switch the appliance off by putting it in "off" mode, disconnect the omnipolar switch outside of the appliance and close the gas cock upstream from the appliance.

Never leave the appliance switched on if left unused for prolonged periods.

## 2.11 RESTORE CENTRAL HEATING SYSTEM PRESSURE

1. Periodically check the system water pressure (the appliance's pressure gauge hand must indicate a value between 1 and 1.2 bar).
2. If the pressure falls below 1 bar (with the system cold) restore normal pressure via the valve located at the bottom of the appliance (see the "Lower view" figure).
3. Close the cock after the operation.
4. If the pressure reaches values around 3 bar, there is a risk of tripping the safety valve (in this case, remove water from a radiator air vent valve until a pressure of 1 bar is achieved, or ask for assistance from professionally qualified personnel).
5. In the event of frequent pressure drops, contact qualified staff for assistance to eliminate the possible system leakage.

**Bottom view:**



Key (Fig. 54):

- 1 - Safety valve drain
- 2 - GAS cock
- 3 - Cold water inlet cock
- 4 - System filling valve
- 5 - System draining valve

## 2.12 DRAINING THE SYSTEM

Empty the appliance by actuating the specific draining valve (Fig. 54).

Before draining, ensure that the filling cock is closed.



If fluid containing glycol was added to the system circuit, make sure it is recovered and disposed of in accordance with standard EN 1717.

To do this, always close the domestic cold water inlet upstream of the appliance.

Open any domestic hot water tap to discharge the pressure from the circuit.

### Storage tank draining (if present)

To drain the storage tank, use the relevant storage tank draining valve.



Before performing this operation, close the boiler cold water inlet valve and open any DHW system hot water valve in order to allow the inlet of air into the storage tank.

## 2.13 ANTIFREEZE PROTECTION

The appliance has an antifreeze function that switches the burner on automatically when the temperature drops below 4°C (standard protection to minimum temperature of -5°C).

In order to guarantee the integrity of the appliance and the domestic hot water heating system in areas where the temperature drops below zero, we recommend protecting the central heating system using anti-freeze liquid and installing the Immergas Antifreeze Kit in the appliance.

All information relative to the antifreeze protection is stated in (Parag. 1.4).

## 2.14 PROLONGED INACTIVITY

In case of prolonged inactivity (e.g. second home), we recommend:

1. close the gas;
2. to switch off the power supply;
3. completely empty the central heating circuit and the appliance domestic hot water circuit. In systems that are drained frequently, filling must be carried out with suitably treated water to eliminate hardness that can cause lime-scale.

## 2.15 CLEANING THE CASE

1. Use damp cloths and neutral detergent to clean the appliance casing.



Never use abrasive or powder detergents.

## 2.16 PERMANENT SHUTDOWN

In the event of permanent shutdown of the appliance, contact professional staff for the procedures and ensure that the electrical, water and gas supply lines are shut off and disconnected.

## 2.17 AUTOMATIC VENT MODE

When the function is enabled, every time the boiler is electrically powered, the system automatic Vent function is activated (lasting 8 minutes). This function is displayed on the main screen from text:

**"Deaeration active".**

During this period the DHW and CH functions are not active.

The "Automatic vent" function can be annulled by pressing the Reset button



# 3 INSTRUCTIONS FOR MAINTENANCE AND INITIAL CHECK

## 3.1 GENERAL RECOMMENDATIONS



**Operators who install and service the appliance must wear the personal protective equipment (PPE) required by applicable law.  
The list of possible PPE is not complete as they are indicated by the employer.**



**Before carrying out any maintenance work, make sure that:**

- you have disconnected the power to the appliance;
- you have closed the gas cock;
- you have discharged the pressure from the system and domestic hot water circuit (if the storage tank unit is present).



If additional documentation needs to be consulted for extraordinary maintenance, contact the Authorised After-Sales Service.



### Supply of spare parts

The device's warranty shall be rendered null and void if unapproved or unsuitable parts are used for maintenance or repairs. These will also compromise the product's compliance, and the said product may no longer be valid and fail to meet the current regulations. In regard to the above, only use original Immergas spare parts when replacing components.

## 3.2 INITIAL CHECK

### Commissioning the appliance requires you to:

- ensure that the type of gas used corresponds to the appliance settings (the type of gas appears on the display on first electrical power supply, on the data nameplate or, with the display already on, with the following sequence: MENU - Information - Ok);
- check connection to a 230V-50Hz power mains, correct L-N polarity and the earthing connection;
- make sure the central heating system is filled with water and the appliance pressure gauge reads a pressure of 1-1.2 bar;
- switch the appliance on and check correct ignition;
- check the  $\Delta p$  gas values in domestic hot water and central heating modes;
- check the proper calibration of the number of fan revolutions;
- check the CO<sub>2</sub> flow rate in the flue:
  - maximum
  - intermediate
  - minimum
- the values comply with the relevant tables (Par. 3.3);
- check activation of the safety device in the event of no gas, as well as the relative activation time;
- check the activation of the main switch located upstream of the appliance;
- check that the intake and/or exhaust terminals are not blocked;
- ensure activation of all adjustment devices;
- seal the gas flow regulation devices (if the settings are changed);
- ensure production of domestic hot water;
- check the tightness of the hydraulic circuits;
- check ventilation and/or aeration of the installation room where provided.



**Even if just one single safety check provides a negative result, do not commission the system.**

INSTALLER

USER

MAINTENANCE TECHNICIAN

TECHNICAL DATA

### 3.3 YEARLY APPLIANCE CHECK AND MAINTENANCE



The following checks and maintenance should be performed once a year to ensure operation, safety and efficiency of the appliance over time.

INSTALLER

- Clean the flue side of the heat exchanger.
- Clean the main burner.
- Check the correct positioning, integrity and cleanliness of the detection and ignition electrode; remove any oxide present.
- If deposits are detected in the combustion chamber they must be removed and the heat exchanger coils must be cleaned using nylon or broomcorn brushes; it is forbidden to use brushes made of metal or other materials that may damage the combustion chamber. It is also forbidden to use alkaline or acid detergents.
- Check the integrity of the insulating panels inside the combustion chamber and if damaged replace them.
- Visually check for water leaks or oxidation from/on connections and traces of condensate residues inside the sealed chamber.
- Check the contents of the condensate drain trap.
- Visually check that the siphon is properly filled with condensate and top it up if necessary.

USER

- Check that there are no material residues in the condensate drain siphon clogging the condensate passage; also check that the entire condensate drainage circuit is clear and efficient.
- In the event of obstructions (dirt, sediment, etc.) with consequent leakage of condensate in the combustion chamber, one must replace the insulating panels.
- Check that the burner and gas manifold seal gaskets are intact and perfectly efficient, otherwise replace them. In any case the gaskets must be replaced at least every two years, regardless of their state of wear.
- Check that the burner is intact, that it has no deformations or cuts and that it is properly fixed to the combustion chamber lid; otherwise it must be replaced.
- Visually check that the water safety drain valve is not blocked.
- Check that the charge of the expansion vessel is 1.0 bar, after having discharged the system pressure and bringing it to zero (readable on the pressure gauge of the appliance).
- Check that the system static pressure (with system cold and after refilling the system by means of the filling valve) is between 1 and 1.2 bar.
- Check visually that the safety and control devices have not been tampered with and/or shorted, in particular:

- Flow and flue probes;
- system pressure switch.

MAINTENANCE TECHNICIAN

- Check the condition and integrity of the electrical system and in particular:
  - The power cables must be inside the cable fixings;
  - There must be no traces of blackening or burning.
- Check correct lighting and operation.
- Check the CO<sub>2</sub> by using the chimney sweep function at the three reference heat outputs, using the parameters entered in the following tables. Should values out of the indicated tolerance range be detected, check the integrity of the ignition / detection electrodes and, if required, change them, also changing the relative gasket. At this point, activate the “complete calibration” function.
- Ensure correct calibration of the burner in domestic water and central heating phases.
- Check correct operation of control and adjustment devices and in particular:
  - system regulation probes intervention;
  - DHW regulation probes intervention.
- Check sealing efficiency of gas circuit and the internal system.
- Check the intervention of the device against no gas ionisation flame control. Intervention time must be less than 10 seconds.
- Check the flue gas non-return valve (inside the appliance) in installations C10 - C 12.
- Check and if necessary, clean the siphon of the flue gas non-return valve in the flue in installations C10 - C 12.



If the flue gas non-return valve in the flues must be removed to inspect and clean it, temporarily plug the exhaust pipe connected to the collective flue. This prevents the return of fumes from the other appliances connected to the flue itself.

TECHNICAL DATA

#### Victrix Superior 35 Plus

| Gastype | CO <sub>2</sub> to nominal Q. | CO <sub>2</sub> to ignition Q. | CO <sub>2</sub> to minimum Q. |
|---------|-------------------------------|--------------------------------|-------------------------------|
| G20     | 8.8% (±0,5)                   | 8.8% (±0,5)                    | 8.8% (±0,5)                   |
| G31     | 10% (±0,5)                    | 9.5% (±0,5)                    | 9.5% (±0,5)                   |
| GZ50    | 8.8% (±0,5)                   | 8.8% (±0,5)                    | 8.8% (±0,5)                   |

| Gas type | O <sub>2</sub> at Nominal Q. | O <sub>2</sub> at Ignition Q. | O <sub>2</sub> at Minimum Q. |
|----------|------------------------------|-------------------------------|------------------------------|
| G20      | 5,2% ± 0,5                   | 5,2% ± 0,5                    | 5,2% ± 0,5                   |



If a Hydrogen Ready installation is implemented, refer to the table above for all calibration operations, with the O<sub>2</sub>% content in the flue gas.



In addition to yearly maintenance, one must also check the energy efficiency of the thermal system, with frequency and procedures that comply with the indications of the technical regulations in force.

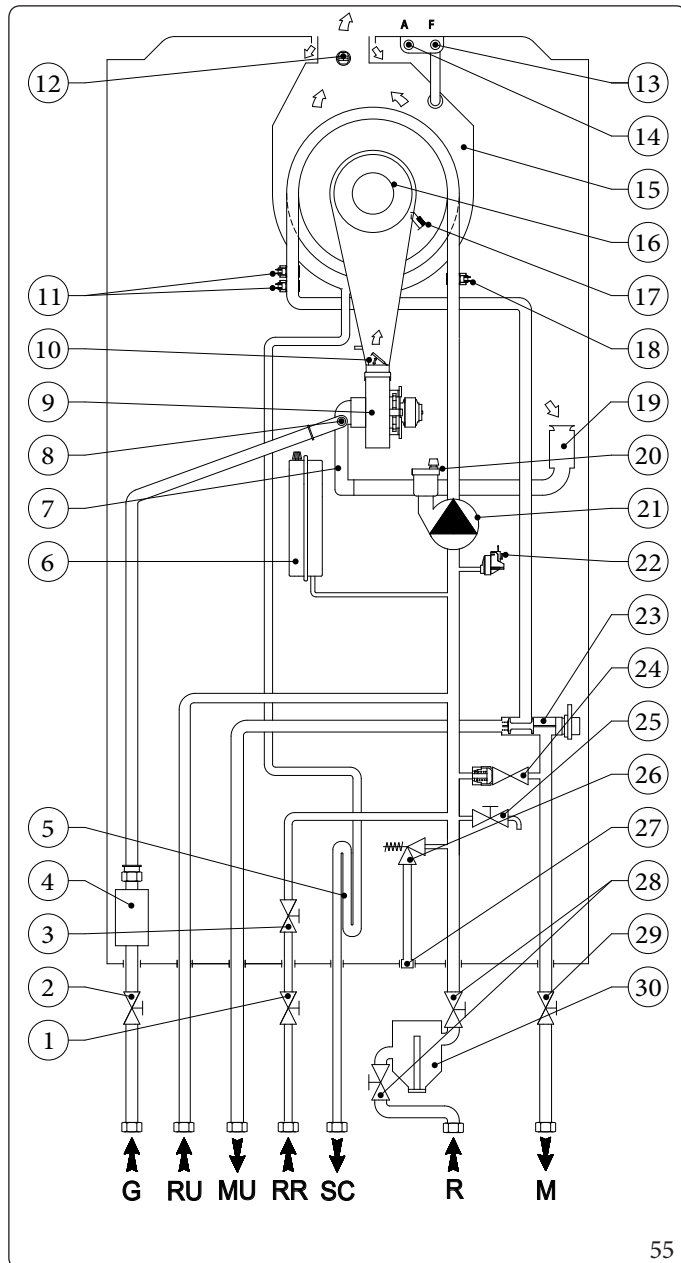
INSTALLER

USER

MAINTENANCE TECHNICIAN

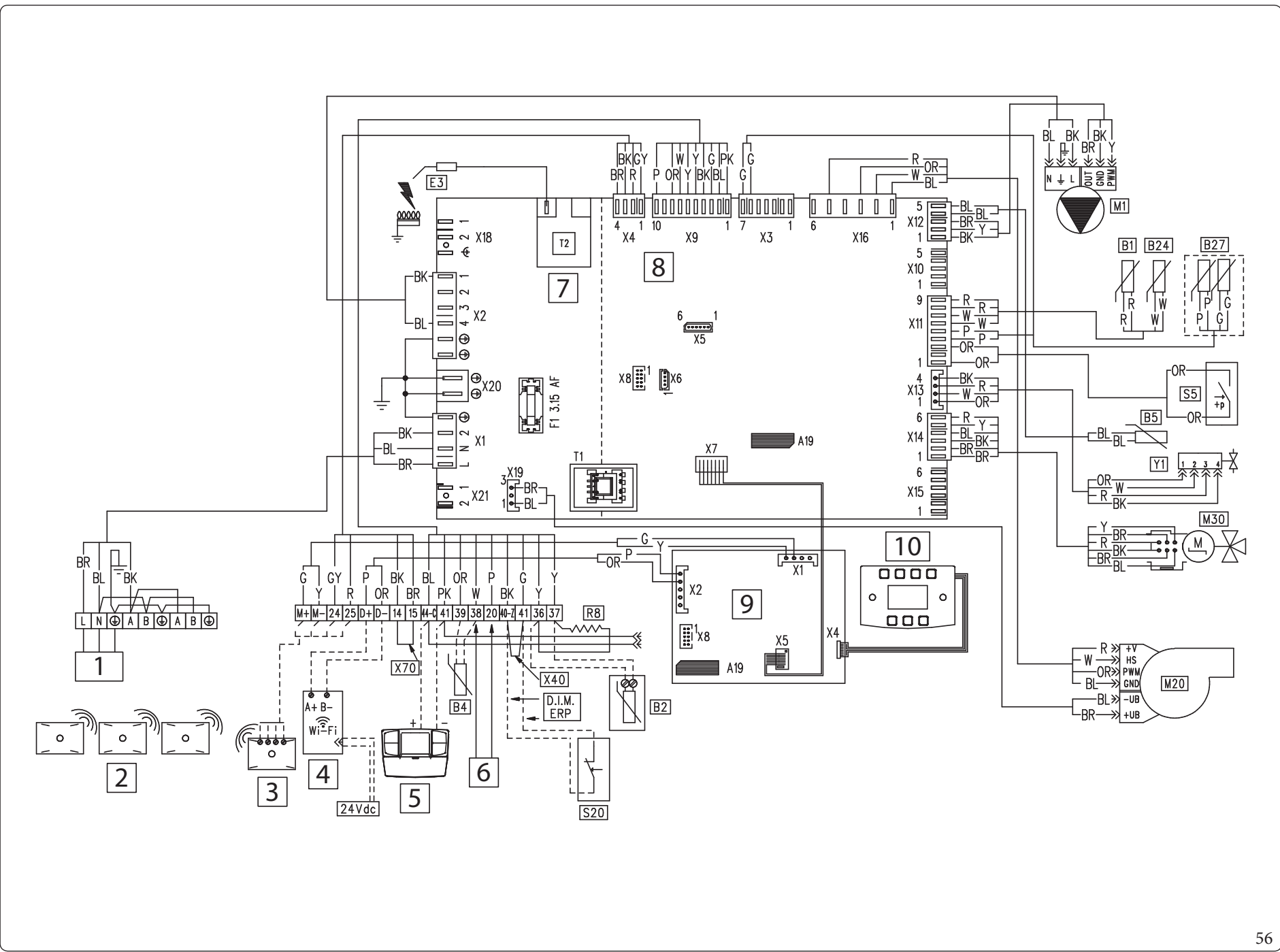
TECHNICAL DATA

### 3.4 HYDRAULIC DIAGRAM



Key (Fig. 55):

- 1 - Filling cut-off valve
- 2 - Gas cock
- 3 - System filling cock
- 4 - Gas valve
- 5 - Condensate drain trap
- 6 - System expansion vessel
- 7 - Air-gas mixer
- 8 - Gas nozzle
- 9 - Fan
- 10 - Non-return valve on flue gas
- 11 - Module flow probes
- 12 - Flue probe
- 13 - Flue sample point (F)
- 14 - Air sample point (A)
- 15 - Condensation module
- 16 - Burner
- 17 - Ignition-detection electrode
- 18 - Return probe
- 19 - Air intake pipe
- 20 - Air vent valve
- 21 - Appliance pump
- 22 - System pressure switch
- 23 - Motorised 3-way valve
- 24 - By-pass
- 25 - System draining cock
- 26 - 3 bar safety valve
- 27 - 3 bar safety valve drain fitting signal
- 28 - Cycloidal filter unit shut-off valves
- 29 - System flow shut-off cock
- 30 - Cycloidal filter unit
  
- G - Gas supply
- RU - Storage tank unit return
- MU - Storage tank unit flow
- RR - System filling
- SC - Condensate drain
- M - System flow
- R - System return



## TECHNICAL DATA

Key (Fig. 56):

|     |  |
|-----|--|
| A19 | - Removable memory                           |
| B1  | - Flow probe                                 |
| B2  | - Boiler probe (optional)                    |
| B4  | - External probe (optional)                  |
| B5  | - Return probe                               |
| B24 | - Safety flow probe                          |
| B27 | - Double flue probe sensor                   |
| E3  | - Ignition and detection electrode           |
| M1  | - Boiler circulating pump                    |
| M20 | - Fan  |
| M30 | - Three-way stepper motor                    |
| R8  | - Storage tank operation unabling resistance |
| S20 | - Room thermostat (optional)                 |
| S5  | - System pressure switch                     |
| T1  | - Boiler P.C.B. transformer                  |
| T2  | - Ignition transformer                       |
| X40 | - Room thermostat jumper                     |
| X70 | - Safety thermostat (low temperature) jumper |
| Y1  | - Gas valve                                  |

## MAINTENANCE TECHNICIAN

Key (Fig. 56):

|    |                                    |
|----|------------------------------------|
| 1  | - 230 Vac 50Hz Power supply        |
| 2  | - Wireless room probes (optional)  |
| 3  | - Wireless concentrator (optional) |
| 4  | - Dominus (optional)               |
| 5  | - (CAR <sup>V2</sup> ) (optional)  |
| 6  | - System flow probe (optional)     |
| 7  | - 230 V connections                |
| 8  | - Low voltage connections          |
| 9  | - Display board                    |
| 10 | - Capacitive keyboard              |

## USER

Colour code key (Fig. 56):

|    |          |
|----|----------|
| BK | - Black  |
| BL | - Blue   |
| BR | - Brown  |
| G  | - Green  |
| GY | - Grey   |
| OR | - Orange |
| P  | - Purple |
| PK | - Pink   |
| R  | - Red    |
| W  | - White  |
| Y  | - Yellow |

## INSTALLER

Any room thermostat or ON-OFF must be connected to terminals 40 and 41 eliminating jumper X40.

Any CAR<sup>V2</sup> must be connected to terminals 44 and 41 complying with the polarity **without eliminating jumper X40**.

Storage tank unit: the appliance is prepared for connection to a storage tank unit, which must be connected to clamps 36 and 37 of the terminal board (on the control panel), eliminating resistance R8.

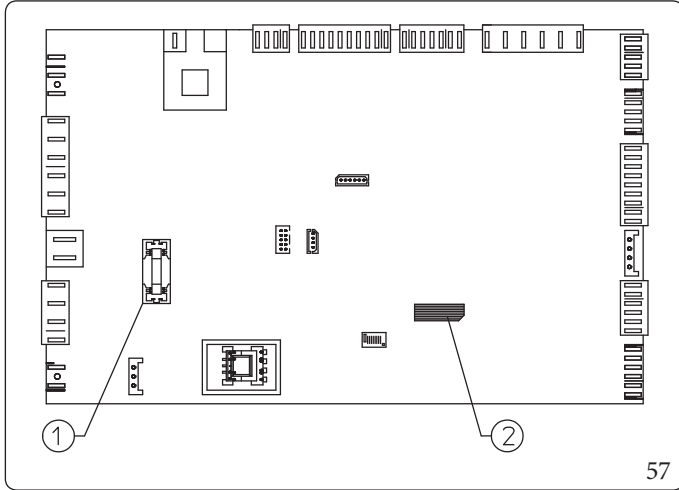
### 3.6 REMOVABLE MEMORY



Replacing the memory must be carried out after disconnecting all electrical connection of the P.C.B.

#### P.C.B.

The P.C.B. is equipped with a removable memory (Ref. 2 Fig.57) which records all operation parameters and appliance customisations. Should the P.C.B. be replaced, you can use the memory of the replaced board again, so it is not necessary to reconfigure the appliance.



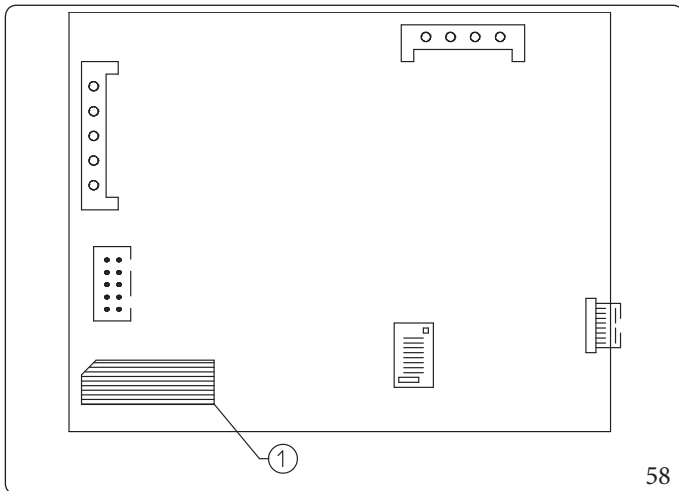
Key (Fig. 57):

- 1 - Fuse 3.15 quick 250 V
- 2 - Grey removable memory (A19)

#### Display board

The display board is equipped with a removable memory (Ref. 1 Fig.58) which records all operation parameters and customisations of the display, wireless probes, Dominus and timer maintenance.

Should the display board be replaced, you can use the memory of the replaced board again so it is not necessary to reconfigure the appliance.



Key (Fig. 58):

- 1 - Black removable memory (A19)

INSTALLER

USER

MAINTENANCE/TECHNICIAN

TECHNICAL DATA

### 3.7 TROUBLESHOOTING



Maintenance operations must be carried out by an authorised company (e.g. Authorised After-Sales Technical Assistance Centre).

INSTALLER

USER

MAINTENANCE TECHNICIAN

TECHNICAL DATA

| Trouble   | Possible causes   | Solutions  |
|---|---|--|
| Smell of gas  | Caused by leakage from gas circuit pipelines.   | Check sealing efficiency of gas intake circuit.  |
| Repeated ignition blocks  | No gas. Condensate drain clogged.   | Check the presence of pressure in the network and that the gas adduction cock is open. Restore/release the function of the condensate drain, checking that the condensate has not affected: combustion components, fan and gas valve. Check the function of the condensate sensor.                   |
| Irregular combustion or noisiness                               | Dirty burner, clogged primary heat exchanger, incorrect combustion parameters, intake-exhaust terminal not correctly installed. | Check the indicated components.  |
| Non-optimal ignition of first ignitions of the burner.          | The first ignitions of the burner (after calibration) may not be optimal.   | The system automatically adjusts the burner ignition until the best ignition conditions are found.   |
| Siphon blocked  | Dirt or combustion products deposited inside.   | Check that there are no residues of material blocking the flow of condensate.  |
| Heat exchanger blocked.   | Obstruction of the siphon.  | Check that there are no residues of material blocking the flow of condensate.  |
| Abnormal noises in the system                                   | Air in the system.  | Check the opening of the cap of the air vent valve (Par. 1.35). Make sure the system pressure and expansion vessel pre-charge values are within the set limits. The factory-set pressure values of the expansion vessel must be 1.0 bar, the value of system pressure must be between 1 and 1.2 bar. |
| Abnormal noises in the condensation module                      | Air in the module.  | Use the manual air vent valve (Par. 1.35) to eliminate any air present in the condensation module. When the operation has been performed, close the manual vent valve.   |
| Poor production of DHW (when the storage tank unit is combined) | Condensation module or clogged DHW heat exchanger.  | Contact After-Sales Assistance Service that has procedures to clean the module or D.H.W. heat exchanger.   |

#### Red pump LED

There can be three possible causes for this anomaly:

| Trouble                  | Possible causes  | Solutions   |
|--------------------------|--|---|
| Low power supply voltage | After about 2 seconds, the LED switches from green to red and the pump stops.                      | Wait for the power supply voltage to rise; when the pump restarts, the LED will turn green again with a delay of about one second. Note: The flow rate decreases as the supply voltage decreases.                     |
| Rotor seized             | Powering the pump with the rotor seized, after about 4 seconds the LED switches from green to red, | Carefully act on the screw in the middle of the head to manually release the crankshaft; circulation starts up immediately after the rotor is released and the LED switches from red to green after about 10 seconds. |
| Electrical error         |  | Check that there is no fault on the pump (on its wiring or electronics).  |



### 3.8 ACCESS RESERVED TO SERVICE

To enter the appliance menu reserved for Service:

#### MENU/General settings/Menu access level

To activate the access reserved to "Service", follow the above path; upon "Enter password", enter code 1122 (using the "Set DHW" and "Set CH" knobs) and press "Ok", then the "Menu access level" menu will open where it is possible to select the "Service" access type. The authentication as Service gives access to the parameters reserved for a qualified Technician.



As long as you continue navigating the menu, access as Service remains active.

Returning to the main screen, the Service access will remain active for 4 minutes, then it will automatically go back to User level. To manually go back to User level, simply type the password following the procedure described above and set User again. If the appliance turns off and on again, the menu will automatically go back to User level.

### 3.9 CONVERTING THE APPLIANCE TO OTHER TYPES OF GAS



The gas conversion operation must be carried out by an authorised company (e.g. Authorised Technical Assistance Service).

To convert to another type of gas the following operations are required:

#### MENU/Service/Boiler/Combustion

- In the "Combustion" window, modify and confirm the type of gas on the line "Gas type": "NG" for methane gas, "LG" for LPG gas and "AP" for propane air (Par. 2.8).
- Carry out complete calibration (Par. 3.11); during the procedure check and, if necessary, correct the CO<sub>2</sub> value.
- Upon completing the conversion, apply the sticker regarding the modified gas content onto the data nameplate in the connection box.



**The pressure testers used for calibration should be perfectly closed and there should be no leaks from the gas circuit.**

#### Checks following conversion to another type of gas.

These adjustments must be made with reference to the type of gas used, following the indications given in the table (Par. 4.2). After having made sure that the conversion is complete and that the calibration has been successful, you must make sure that:

- there is no flame in the combustion chamber;
- the burner flame is not too high or low and that it is stable (does not detach from burner);



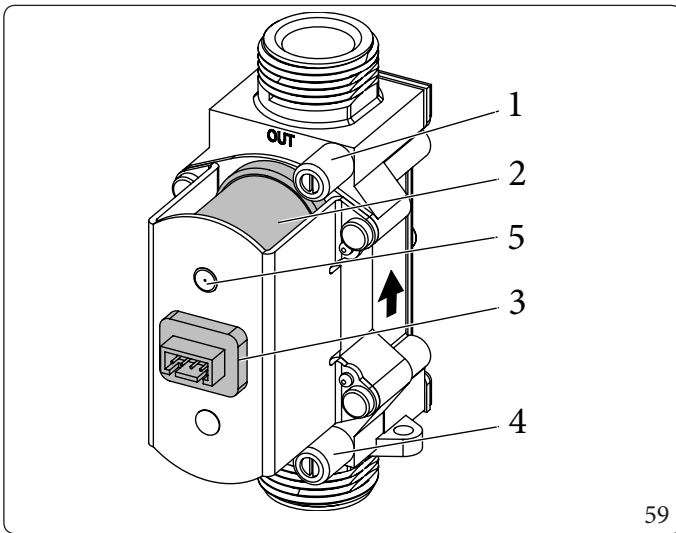
Maintenance operations must be carried out by an authorised company (e.g. Authorised After-Sales Technical Assistance Centre).



#### Risk of material damage after using sprays and liquids to search for leaks

Leak sprays and liquids clog the reference hole P.Ref. (Fig. 59) of the gas valve, damaging it irreparably.

During installation and maintenance, do not use spray or liquids in the upper area of the gas valve (side referring to the electric connections).



Key (Fig. 59):

- 1 - Gas valve outlet pressure point
- 2 - Coil
- 3 - Wiring connector
- 4 - Gas valve inlet pressure point
- 5 - P. Ref. (Reference pressure)

59

### 3.10 CALIBRATION TYPE INVOLVING THE REPLACEMENT OF A COMPONENT.

When performing extraordinary maintenance on the appliance, involving the replacement of a component, such as the P.C.B. (if the removable memory is not put into the replacement board) or components in the air, gas and flame control circuits, the appliance will need to be calibrated.

Select the type of calibration to be carried out according to the table below.

| Component replaced   | Type of calibration required  |
|--|---|
| Gas valve  | Quick calibration   |
| Fan  | Quick calibration   |
| Burner   | Complete calibration with CO <sub>2</sub> check                         |
| Ignition / detection electrode   | Complete calibration with CO <sub>2</sub> check                         |
| P.C.B. (New virgin P.C.B. without removable memory recovery)                                     | Reset the parameters<br>Complete calibration with CO <sub>2</sub> check |
| P.C.B. (Recovery of the removable memory with the boiler parameters set from the replaced board) | No calibration required.  |

### 3.11 COMPLETE CALIBRATION FUNCTION



Before carrying out complete calibration, ensure that all the requirements indicated in the relevant paragraphs have been met (Par. 1.29 and 1.30).

In the event of anomaly “62” or “72” (Par. 2.9) the appliance cancels any requests by itself..

During the various calibration stages, the CO<sub>2</sub> value can be checked and possibly corrected as described in (Par. 3.12).

The energy produced during the function is disposed of on the central heating circuit / C.H. circuit if a DHW (Domestic hot water) request is not activated; check that any valves on the system not managed by the appliance are open.

To dispose of all the energy on the domestic hot water, open the hot water tap and set the DHW (Domestic hot water) set to maximum before activating the function.

The calibration procedure involves various stages:

- nominal heat output calibration;
- intermediate heat output ignition calibration;
- minimum heat output calibration;

The complete calibration function offers a maximum time of stay within the Calibration Menu of 20 minutes counted after the last action on the display keyboard.

After this time, the function ends, showing the message "Calibration completed".

The Calibration completed window will be automatically abandoned after 60 seconds (to display the main window); if you want to exit the "Calibration completed" message in advance, press the "OK" button.

## Complete calibration activation.

Select the Summer or Winter mode and enable the function by accessing the menu as "Service" access level:

### Menu/Service/Special function/Complete calibration



If Antifreeze mode is selected, the function cannot be activated.

In the attempt of activating the function under impossible conditions, the text "Way not compatible" will be displayed.

| Complete calibration   |        |
|------------------------|--------|
| Calibration Phase      | max... |
| Combustion Set         | ↕ 23   |
| Power perc.            | 0%     |
| CH temperature         | 25°C   |
| Flame                  | Off    |
| Central Heating active |        |

60

- Calibration Phase: indicates the phase of calibration in progress and the stability connection on the combustion;
- Combustion Set: indicates the combustion set value in progress; if the text is highlighted, the value can be changed using the "Set Central heating/ C.H." knob;
- Power perc.: indicates (from 0 to 100%) the power supplied by the burner;
- CH temperature: indicates the thermal module outlet temperature;
- Flame: indicates the presence of a flame (thus the ignition of the burner)

The text indicating the circuit on which the energy produced is discharged appears at the bottom of the display ("Central Heating active" or "Domestic Hot Water active")

## Nominal heat

The Calibration function is automatically activated when entering the menu window.

Initially "Calibration Phase max" appears, meaning that the appliance is performing the nominal power calibration phase.

After the first moments of burner ignition, "Calibration Phase max <" appears meaning that the appliance has detected and stored the minimum parameters necessary for appliance ignition (it is possible to force the end of calibration by pressing "RESET").

To check and correct the Co<sub>2</sub> values, continue waiting for the combustion set for nominal power to be engaged. After the engaging is complete, "Calibration Phase max Ok" appears and the belowline "Combustion Set" is highlighted at the same time.



Under these conditions, the combustion value (Co<sub>2</sub>) linked to the supply of maximum nominal power can be measured (Par. 3.12)

| Complete calibration   |        |
|------------------------|--------|
| Calibration Phase      | max ok |
| <b>Combustion Set</b>  | ↕ 23   |
| Power perc.            | 100%   |
| CH temperature         | 51°C   |
| Flame                  | On     |
| Central Heating active |        |

61

If the Co<sub>2</sub> value is not that indicated in the table (Par. 4.2), edit the value as described in the paragraph (Par. 3.12).

When the combustion value measured on the nominal power is correct, request the advancement of the procedure to the next phase (intermediate ignition power) by pressing the "OK" button "Calibration Phase max Ok".

### Ignition intermediate heat output

Once the nominal heat output calibration is confirmed, the appliance is calibrated with the intermediate heat output (or ignition heat output).

The beginning of the intermediate phase is displayed with "Calibration Phase med" it means that the appliance is adjusting the intermediate power.

To check and correct the Co<sub>2</sub> values, continue waiting for the combustion set for intermediate power to be engaged. After the engaging is complete, "Calibration Phase med Ok" appears and the below line "Combustion Set" is highlighted at the same time.



Under these conditions, the combustion value linked to the supply of intermediate power can be measured (Par. 3.12)  
Any corrections to the intermediate combustion are linked to the same actions illustrated for the nominal power.

| Complete calibration   |        |
|------------------------|--------|
| Calibration Phase      | med ok |
| <b>Combustion Set</b>  | ↕ 30   |
| Power perc.            | 23%    |
| CH temperature         | 43°C   |
| Flame                  | On     |
| Central Heating active |        |

62

If the Co<sub>2</sub> value is not that indicated in the table (Par. 4.2), edit the value as described in the paragraph (Par. 3.12).

When the combustion value measured on the intermediate power is correct, request the advancement of the procedure to the next phase (minimum power) by pressing OK "Calibration Phase med Ok".

### Minimum heat output

After confirming the intermediate power calibration, the appliance is calibrated at minimum power.

The beginning of the minimum phase is displayed with "Calibration Phase min" it means that the appliance is adjusting the minimum power.

To check and correct the Co<sub>2</sub> values, continue waiting for the combustion set for minimum power to be engaged. After the engaging is complete, "Calibration Phase min Ok" appears and the below line "Combustion Set" is highlighted at the same time.



Under these conditions, the combustion value linked to the supply of minimum power can be measured (Par. 3.12)  
Any corrections to the minimum combustion are linked to the same actions illustrated for the nominal power.

| Complete calibration   |        |
|------------------------|--------|
| Calibration Phase      | min ok |
| <b>Combustion Set</b>  | ↕ 64   |
| Power perc.            | 0%     |
| CH temperature         | 24°C   |
| Flame                  | On     |
| Central Heating active |        |

63

If the Co<sub>2</sub> value is not that indicated in the table (Par. 4.2), edit the value as described in the paragraph (Par. 3.12).

When the combustion value measured on the minimum power is correct, request the end of the procedure by pressing the "OK" "Calibration Phase min Ok" button.

The end of the function is accompanied by the window "Calibration completed".



If the message "max err." on the Procedure phase item appears, it means that something was not successful during the calibration process. In which case, the operation must be repeated from the beginning.

### 3.12 CO<sub>2</sub> REGULATION



During the complete calibration (Par. 3.11) it is possible to modify the CO<sub>2</sub> values.

In order to have an exact value of CO<sub>2</sub> in the flue gas, the technician must insert the sampling probe into the well to the bottom



In case of calibration for propane air, select the analyser in LPG gas mode.

Check that the CO<sub>2</sub> value is the one indicated in the table (Par. 4.2), (considering a maximum tolerance of  $\pm 0.2\%$ ), otherwise change the value as described below:

| Complete calibration   |        |
|------------------------|--------|
| Calibration Phase      | max ok |
| Combustion Set         | ↕ 22   |
| Power perc.            | 99%    |
| CH temperature         | 53°C   |
| Flame                  | On     |
| Central Heating active |        |

64

The modification takes place only if the line "Combustion Set" is highlighted; using the "Set CH" knob, change the "Combustion Set" value then press "OK" to confirm the new value.



Wait for the text "max Ok" "med Ok" or "min Ok" to appear before checking the combustion linked to the new value based on the phase in which the change is made.

### 3.13 QUICK CALIBRATION

This function allows you to calibrate the appliance automatically without requiring or giving the possibility to alter the parameters. Typically, the "quick calibration" is used after changing the flue type parameters in the menu, which creates the "72" anomaly or is necessary in case of component replacement (Par. 3.10).



Before carrying out the fast calibration, ensure that all the requirements indicated in the relevant paragraphs have been met (Par. 1.29 - 1.30).

The energy produced during the function is disposed of on the central heating circuit / C.H. circuit if a the storage tank is at temperature; check that any valves on the system not managed by the appliance are open.

To dispose of all the energy on the domestic hot water, open the hot water tap and set the DHW (Domestic hot water) set to maximum before activating the function.

Select the Summer or Winter mode and enable the function by accessing the menu as "Service" access level:

#### Menu/Service/Special function/Fast calibration



If Antifreeze mode is selected, the function cannot be activated.

In the attempt of activating the function under impossible conditions, the text "Way not compatible" will be displayed.

Once the function is active, the appliance sequentially carries out the procedures required to calibrate the appliance with the nominal, intermediate and minimum heat output values.

| Fast calibration       |         |
|------------------------|---------|
| Calibration Phase      | max ... |
| Combustion Set         | --      |
| Power perc.            | 0%      |
| CH temperature         | 26°C    |
| Flame                  | Off     |
| Central Heating active |         |

65

- Calibration Phase: indicates the phase of calibration in progress and the stability connection on the combustion;
- Combustion Set: alue not compiled during quick calibration";
- Power perc.: indicates (from 0 to 100%) the power supplied by the burner;
- CH temperature: indicates the thermal module outlet temperature;
- Flame: indicates the presence of a flame (thus the ignition of the burner)

The text indicating the circuit on which the energy produced is discharged appears at the bottom of the display ("Central Heating active" or "Domestic Hot Water active")

The Calibration function is automatically activated when entering the menu window.

Initially "Max procedure phase..." appears, meaning that the appliance is performing the nominal power calibration phase.

After the first moments of burner ignition, "Max procedure phase <" appears meaning that the appliance has detected and stored the minimum parameters necessary for its ignition (it is possible to force the end of calibration by pressing "RESET").

The advancement is automatic; however, the quick calibration window makes the various phases known:

- Calibration Phase max
- Calibration Phase med
- Calibration Phase min

The "Combustion Set" line is not managed, as it is not possible to operate to modify its value.

The end of the function is accompanied by the window "Calibration completed"



If the message "max err." on the Procedure phase item appears, it means that something was not successful during the calibration process. In which case, the operation must be repeated from the beginning.

### 3.14 FLUE TEST



Before performing the test, ensure that the condensate drain trap has been filled correctly and check that there are no obstructions in the air intake circuit and flue exhaust and that the sealed chamber is perfectly closed and the flue has already been installed.

The Flue Test activation command is available in the Menu (with Service reserved access) at the following address:

#### Menu/Service/Special function/Test flue

To activate the flue test, enter the "Test flue" page and on the first line, activate the Test by selecting "Start".

To end the flue test, select the "Stop" item on the first line.

To define the value to set in the "Length Flue" parameter, detect the parameters during the "Test flue".

The appliance remains in this mode for a maximum period of 15 minutes, keeping the fan speed constant.

The function ends after 15 minutes, or by selecting "Stop".

Check the  $\Delta P$  between the two pressure test outlets (Parag. 1.35) and set parameter "Length Flue" according to the values shown below:

| Victrix Superior 35 Plus      |              |
|-------------------------------|--------------|
| Menu/Service/Boiler/Flue      | Pressure     |
| min                           | < 120 Pa     |
| med                           | 120 ÷ 170 Pa |
| max                           | 170 ÷ 280 Pa |
| Value detected on first check |              |



Examinations are carried out by sealing the holes provided to analyse the flues, making them pneumatically sealed.



Should there be a appliance malfunction, you can carry out a flue test to check that there are no obstructions in the flue system. Different values to those indicated in the previous tables indicate a flue system malfunction, especially a flue system with excessive load losses or obstructed system.

### 3.15 PARAMETERS AND INFORMATION MENU

There are 3 Settings menus (Fig. 48):

**DHW:** accessible from the DHW button (2);

**Zones:** accessible by pressing the zone button (3);

**General settings menu:** accessible by pressing the menu button (18).



Some menu settings appear only when the options are actually connected and working.

#### DHW Menu (if the storage tank unit is present).

Press the “DHW (Domestic hot water)” button to access a list of variables that enable you to customise use of the DHW (Domestic hot water).

Hereunder is a list of available menus:

| DOMESTIC HOT WATER |   |             |         |                  |
|--------------------|---|-------------|---------|------------------|
| Menu item          | Description   | Range       | Default | Customised value |
| DHW control        | Boiler = informs that the DHW control is managed from the boiler panel  |             |         |                  |
|                    | Remote = informs that the DHW control is managed by CARv2   |             |         |                  |
| Temperature        | Temperature read by the DHW probe   |             |         |                  |
| Boost function (*) | Sets the DHW (Domestic hot water) boost function management:  | Off-On-Auto | On      |                  |
|                    | Boost: Off = always off   |             |         |                  |
|                    | On = always on  |             |         |                  |
|                    | Auto = managed as required by the DHW (Domestic hot water) program  |             |         |                  |
| Set management (*) | Sets the DHW (Domestic hot water) set control mode:   | Auto-Man    | Man     |                  |
|                    | Auto = the DHW (Domestic hot water) set will be controlled at two levels, according to the DHW (Domestic hot water) program.                                  |             |         |                  |
|                    | Man = the DHW (Domestic hot water) set will always be fixed at the manual value (regardless of the DHW (Domestic hot water) program)                          |             |         |                  |
| Set comfort        | Sets comfort set (comfort set will be active during the active time slots of the DHW (Domestic hot water) program if "Set management = Auto" is selected)     | 10 ÷ 60°C   | 50°C    |                  |
| Set economy        | Sets reduced set (economy set will be active during the NON active time slots of the DHW (Domestic hot water) program if "Set management = Auto" is selected) | 10 ÷ 60°C   | 30°C    |                  |
| Set manual         | Sets manual set (manual set will be active 24 hours a day if "Set management = Man" is selected)  | 10 ÷ 60°C   | 10°C    |                  |

(\*) See the DHW paragraph (Parag. 2.6)

#### Zones Menu.

After accessing as “SERVICE”, the zone menu is enriched with additional parameters with respect to user access.

Press the “Zones” BUTTON  to access a list of variables that enable you to customise use of the zones.

Hereunder is a list of available menus:

| ZONES      |  |
|------------|--|
| Menu item  | Description  |
| Zone 1     | Defines the operating parameters to manage zone 1 (or the entire system if single-zone). |
| Zone 2 (*) | Defines the operating parameters to manage the zone 2 (if present).                      |
| Zone 3 (*) | Defines the operating parameters to manage the zone 3 (if present).                      |

(\*) if present.



The following tables will appear the same also for any Zone 2 and Zone 3.



| ZONES/Zone 1 |   |
|--------------|---|
| Menu item    | Description   |
| Information  | This displays the system operating data                   |
| Settings     | Defines the operating parameters to manage zone 1         |
| Definition   | Defines any further operating parameters to manage zone 1 |

| ZONES/ZONE 1/Information |   |                            |
|--------------------------|---|----------------------------|
| Menu item                | Description   | Range                      |
| Room temperature (***)   | Room temperature read on zone 1   | 0°C ÷ 50°C                 |
| Room Set (**)(***)       | Room temperature set on zone 1  | 5°C ÷ 35°C                 |
| Working mode status      | Mode set on zone 1  | Off / A-ECO / A-COMF / Man |
| Room thermostat status   | Status of the room thermostat on zone 1                                 | Open / Close               |
| Set CH                   | This displays the zone 1 flow set                                       | 25°C ÷ 85°C                |
| Plant                    | Information related to the type and presence or absence of a room probe |                            |

 Zone 1 Information Menu is always present regardless of whether or not a CAR<sup>V2</sup> is connected.

(\*\*) not displayed when the “Req. with room probe” is set to NO

(\*\*\*) displayed when the zone of interest is associated with a room probe (RF probe,...)

| ZONES/Zone 1/Information/Plant |   |                      |
|--------------------------------|---|----------------------|
| Menu item                      | Description   | Range                |
| Room probe                     | This displays or not the presence of the room probe   | OFF = No probe       |
|                                |   | WIRED = Not used     |
|                                |   | RF = Probe present   |
|                                |   | OT = CARV2 presence  |
| Water circuit                  | If zone board is present, it informs about the type of system in use in the zone.   | DIR = Direct circuit |
|                                |   | MIX = Mixed circuit  |
| CH temperature                 | Zone board absent: the temperature read is the one to the boiler outlet   | 0°C ÷ 99°C           |
|                                | Zones control unit present + information request relating to mixed zone: the temperature read is that at the mixing valve outlet. |                      |

INSTALLER

USER

MAINTENANCE/TECHNICIAN

TECHNICAL DATA

| ZONES/Zone 1/Settings (1) |  |                  |         |                  |
|---------------------------|--|------------------|---------|------------------|
| Menu item                 | Description  | Range            | Default | Customised value |
| Function Mode (1)         | Sets the zone 1 operating mode   | Off / Man / Auto | Man     |                  |
| Set AUTO comfort (2)      | Zone 1 room temperature correlated to the active time slots of the zone 1 calendar     | 10°C ÷ 35°C      | 20°C    |                  |
| Set AUTO reduced (2)      | Zone 1 room temperature correlated to the NON active time slots of the zone 1 program  | 5°C ÷ 30°C       | 16°C    |                  |
| Set MAN (3)               | Zone 1 room temperature that can be activated by selecting the operating mode = manual | 5°C ÷ 35°C       | 20°C    |                  |
| Weather comp. offset (4)  | Zone 1 flow temperature correction in relation to external probe detection             | -9°C ÷ 9°C       | 0°C     |                  |
| Maximum flow set (5)      | Maximum zone 1 flow temperature  | 20°C ÷ 85°C      | 85°C    |                  |

(1) **The entire menu is not displayed** if remote device present

(2) **Not displayed** when:

- the "Operating mode" parameter is set to "Man" or "Off"
- lack or unavailability of room probes

(3) **Not displayed** when:

- the "Operating mode" parameter is set to "Auto" or "Off"
- lack or unavailability of room probes

(4) **Not displayed** when:

- the external probe is missing
- the "Operating mode" parameter is set to "Off"

(5) **Not displayed** when:

- the external probe is present
- a room probe is configured
- the "Req. with room probe" parameter is set to "Yes"

ZONES/Zone 1/Definition/Regulation

| Menu item              | Description   | Range        | Default | Customised value |
|------------------------|---|--------------|---------|------------------|
| Enable room sensor     | With room probe associated, its control can be disabled (No) or enabled again (Yes)   | Yes - No     | Yes     |                  |
| Room sensor modul.     | With the room probe associated, it is possible to disable the modulation on the flow temperature (No) or enable it again (Yes)  | Yes - No     | Yes     |                  |
| Outdoor sensor modul.  | With the external probe present, it is possible to disable the modulation on the outdoor temperature (No) or enable it again (Yes) for the selected zone              | Yes - No     | Yes     |                  |
| Weather comp. offset   | With external probe present, the offset value can be set with respect to the climatic curve.  | -9°C ÷ 9°C   | 0°C     |                  |
| Reduced                | Without any association with room probes, it is possible to set a zone flow temperature reduction during the “reduced” bands of the central heating / C.H. calendars  | Off ÷ 40°C   | Off     |                  |
| Backlash off temp.     | With room probe associated, and “Modul. with room probe” function = The hysteresis cannot be set on the room On-Off control   | 0,1°C ÷ 1°C  | 0,2°C   |                  |
| System inertia         | It sets the system reaction speed based on the type of system present; for example:<br>-5: fan-coil system.<br>-10: Radiator system.<br>-20: floor system             | 1 ÷ 20       | 10      |                  |
| External temperat. max | Defines the maximum outdoor temperature at which to operate the central heating system with minimum flow  | -5°C ÷ 45°C  | 25°C    |                  |
| External temperat. min | Defines the minimum outdoor temperature at which to operate the central heating system with maximum flow  | -25°C ÷ 15°C | -5°C    |                  |
| Maximum flow set       | Defines the maximum flow temperature of central heating / C.H. system operation   | 20°C ÷ 85°C  | 85°C    |                  |
| Minimum flow set       | Defines the minimum central heating / C.H. system operation flow temperature (if external probe is present, it will be correlated to the maximum outdoor temperature) | 20°C ÷ 85°C  | 20°C    |                  |

INSTALLER

USER

MAINTENANCE/TECHNICIAN

TECHNICAL DATA

| ZONES/Zone 1/Definition/NoFrost function |   |              |         |                  |
|--|---|--------------|---------|------------------|
| Menu item                                | Description   | Range        | Default | Customised value |
| NoFrost enable                           | If the wireless room probe is installed, it is possible to activate or not the room antifreeze function when the Zone operating mode is "Off" | No - Yes     | Yes     |                  |
| NoFrost temperature                      | If wireless room probe is installed and the antifreeze function is enabled, it is possible to define the room antifreeze trigger temperature  | 0,5°C ÷ 10°C | 5°C     |                  |

| ZONES/Zone 1/Definition/Room probe |  |   |         |                  |
|------------------------------------|--|---|---------|------------------|
| Menu item                          | Description  | Range   | Default | Customised value |
| Type                               | Makes it possible to select the type of probe to be associated with the zone in question                                   | OFF = No probe  | OFF     |                  |
|                                    |  | WIRED = Not used  |         |                  |
|                                    |  | RF = Configuration to activate association with a wireless room probe |         |                  |
| Address M3                         | During the association, it is necessary to enter the concentrator acknowledgement address (see dip-switch on concentrator) | 0 ÷ 2   |         |                  |
| Status                             | This displays the association status with wireless probe (Parag. 3.21)   | Err = Association procedure failed                                    |         |                  |
|                                    |  | No-Link = Probe cannot be reached via RF                              |         |                  |
|                                    |  | ... (in config) = Probe association in progress                       |         |                  |
|                                    |  | Ok = Probe correctly associated                                       |         |                  |

**Main Menu.**

Press the "MENU" button to access a list of variables that enable you to customise use of the system.

Hereunder is a list of available menus:

| MENU                  |   |
|-----------------------|---|
| Menu item             | Description   |
| Time and program      | Defines the date/time and time operating slots  |
| Information           | Display system operating data   |
| Historical alarm code | Displays the list of the last 10 anomalies  |
| Counters              | This displays the number of ignitions and the hours of operation of the burner  |
| General settings      | Allows selecting the panel operating language, the display operating mode and to access the password-protected menus dedicated to a qualified technician. |
| Service               | Gives access to the functions exclusive for Service   |

| MENU/Time and program  |   |                       |         |                  |
|------------------------|---|-----------------------|---------|------------------|
| Menu item              | Description   | Range                 | Default | Customised value |
| Settings date and time | Current date and time setting   |                       |         |                  |
| Auto switch to DST     | Automatic time setting when changing from winter to summer time (and vice versa).   | Yes - No              | Yes     |                  |
| Calendars              | Defines the time range for operation in Comfort and Economy mode  |                       |         |                  |
| Zone 1 program         | Zone 1 time scheduling  |                       | CAL3    |                  |
| Zone 2 program         | Zone 2 time scheduling (if present)   |                       | CAL3    |                  |
| Zone 3 program         | Zone 3 time scheduling (if present)   |                       | CAL3    |                  |
| DHW Program            | DHW operation time programming  |                       | CAL3    |                  |
| Holiday program        | Defines the period during which the system disables both hot water heating and room central heating functions. At the end of the set days, the previously active functions will be reset. | Off - 1 ÷ 30<br>Day/s | Off     |                  |

| Menu/Information      |   |
|-----------------------|---|
| Menu item             | Description   |
| Gas type              | Gas type display: NG (Methane), LG (L.P.G.), AP (propane air)   |
| Flame signal          | Flame signal display  |
| CH temperature        | Flow temperature display  |
| (*) DHW temperature   | Storage tank/DHW (Domestic hot water) outlet temperature display  |
| Set CH                | This displays the set central heating / C.H. temperature set  |
| Set DHW               | Set DHW (Domestic hot water) temperature display  |
| External temperature  | View the external temperature, if the external probe is present (optional)  |
| Input DHW temperature | Not used on this model  |
| CH Return temperature | Return temperature display  |
| CH2 temperature       | Safety flow probe display   |
| Common flow probe     | Displays the temperature read on the system flow probe (optional)   |
| Duty pump command     | Displays the pump speed command   |
| Flow pump             | System flow rate display  |
| Flow rate             | Not used on this model  |
| Fan speed             | Fan speed display (rpm)   |
| Boiler exhaust temp.  | Flue gas temperature display  |
| Solar storage temp.   | Not used on this model  |
| Solar collector temp. | Not used on this model  |
| Maintenance withing   | This displays the number of days within which maintenance must be carried out. After the days or with the function deactivated, the line is not displayed |
| Main board rev. SW    | Boiler board sw version display   |
| Firmware version      | Display board sw version display  |

(\*) When the appliance is connected with an external storage tank unit.

| MENU/Historical alarm code |  |
|----------------------------|--|
| Menu item                  | Description  |
| Boiler                     | Allows the selection of the boiler anomaly history.                  |
| Room probe                 | Allows the selection of the room probe anomaly history (if present). |

INSTALLER

USER

MAINTENANCE/TECHNICIAN

TECHNICAL DATA

| MENU/Historical alarm code/Boiler |   |
|-----------------------------------|---|
| Menu item                         | Description   |
| Show alarm                        | This displays the boiler anomaly history. The size of the anomaly history is equal to 10 anomalies and they are displayed in decreasing order of appearance (no.1 is the most recent). The displayed anomalies are accompanied by the time and date of the anomaly being generated. |
| Alarms reset                      | Resets the list of anomalies  |

| MENU/Historical alarm code/Room probe |   |
|---------------------------------------|---|
| Menu item                             | Description   |
| Show alarm                            | Displays the room probe anomaly history (if present). The size of the anomaly history is equal to 10 anomalies and they are displayed in decreasing order of appearance (no.1 is the most recent). The displayed anomalies are accompanied by the time and date of the anomaly being generated. |
| Alarms reset                          | Resets the list of anomalies  |

| MENU/Counters           |                                    |
|-------------------------|------------------------------------|
| Menu item               | Description                        |
| Burner ignitions number | Number of burner ignitions counter |
| Burner working hours    | Burner operating hours meter       |

| MENU/General settings    |  |       |         |                  |
|--------------------------|--|-------|---------|------------------|
| Menu item                | Description  | Range | Default | Customised value |
| Language                 | Defines the remote panel operation language  |       | ITA (*) |                  |
| Display                  | It is possible to adjust the contrast and lighting of the display. The lighting (available on two levels) can be automatically selected as fixed or variable during the boiler operation or user access to the display |       |         |                  |
| Menu access level        | Allows the entry of an access code to access the parameter customisation menus according to ones needs (dedicated to a qualified technician)   |       |         |                  |
| Factory settings         | Resets the user parameters to default state  |       |         |                  |
| Service factory settings | Resets the service parameters to default state: the boiler parameters are excluded (hydraulic and combustion setting)  |       |         |                  |

(\*) The display leaves the factory set in Italian. To change the display language, see Par. 2.5 in the "USER" chapter, under "Changing the display language".

In case the user restores the factory conditions through "**Menu/General settings/User factory settings**", the menu will appear in English. Proceed in the following way to restore the desired display language:

- Enter **Menu/General setting/Language**.
- Select the desired language from those available and press OK.

## Assistance menu access

To enter the appliance menu reserved for Service:

### MENU/General settings/Menu access level

To activate the access reserved to "Service", follow the above path; upon "Enter password", enter code 1122 (using the "Set DHW" and "Set CH" knobs) and press "Ok", then the "Menu access level" menu will open where it is possible to select the "Service" access type. The authentication as Service gives access to the parameters reserved for a qualified Technician.



As long as you continue navigating the menu, access as Service remains active.

Returning to the main screen, the Service access will remain active for 4 minutes, then it will automatically go back to User level.

To manually go back to User level, simply type the password following the procedure described above and set User again.

If the appliance turns off and on again, the menu will automatically go back to User level.

## MENU/Service

|                    |
|--------------------|
| Boiler             |
| Domestic Hot Water |
| Central Heating    |
| Inputs             |
| Modbus             |
| Special function   |
| Maintenance        |

| MENU/Service/Boiler/Hydraulic |                                       |                                     |                                    |                  |
|-------------------------------|---------------------------------------|-------------------------------------|------------------------------------|------------------|
| Menu item                     | Description                           | Range                               | Default                            | Customised value |
| Hydraulic                     | Defines the type of boiler hydraulics | Istan. = Not used on this model     | Bol.: boiler with DHW storage tank |                  |
|                               |                                       | Bol. = boiler with DHW storage tank |                                    |                  |
|                               |                                       | Herc. = Not used on this model      |                                    |                  |
|                               |                                       | Herc. Sol. = Not used on this model |                                    |                  |

| MENU/Service/Boiler/Combustion |   |  |              |                  |
|--------------------------------|---|--|--------------|------------------|
| Menu item                      | Description   | Range  | Default      | Customised value |
| Model                          | Set the heat generator type   | 1 ÷ 30   | 1            |                  |
| Gastype                        | Defines the type of gas:  | NG = operation with Methane gas                | NG = Methane |                  |
|                                |   | LG = operation with LPG gas                    |              |                  |
|                                |   | AP = operation with Propane Air gas            |              |                  |
| Fan rpm min                    | Setting of minimum fan speed (absolute)   | 450 - 3500 (rpm)                               | 1850 rpm     |                  |
| Fan rpm max                    | Setting of maximum fan speed (absolute)   | 3500 ÷ 8300 (rpm)                              | 7250 rpm     |                  |
| Fan rpm ign.                   | Sets burner ignition fan speed  | 2000 ÷ 4500 (rpm)                              | 3800 rpm     |                  |
| Maximum calibr. range          | Activates a greater combustion set adjustment range during complete calibration | No = normal combustion set adjustment range    | No           |                  |
|                                |   | Yes = extended combustion set adjustment range |              |                  |



A change in values of this table will cause a appliance block with E62 appearing and consequent request for complete calibration.

INSTALLER

The P.C.B. defines the operating mode and the appliance output according to the combination of several parameters. The correct fan revolutions to obtain the correct operating power of the appliance are defined from the combination of parameters "Model", "Gas type", "Length Flue"; this is why it is suggested not to modify the "Fan rpm" parameters (Fan rpm min-Fan rpm max-Fan rpm ign.).

USER

| MENU/Service/Boiler/Powers |  |             |         |                  |
|----------------------------|--|-------------|---------|------------------|
| Menu item                  | Description  | Range       | Default | Customised value |
| Power max DHW              | Defines the maximum heat output percentage of the boiler during the D.H.W. phase compared to the maximum heat output available         | 0 ÷ 100 (%) | 100     |                  |
| Power min DHW              | Defines the minimum heat output percentage of the boiler during the D.H.W. phase compared to the minimum heat output available         | 0 ÷ 100 (%) | 0       |                  |
| Power max CH               | Defines the maximum heat output percentage of the boiler during the central heating mode compared to the maximum heat output available | 0 ÷ 100 (%) | 95      |                  |
| Power min CH               | Defines the minimum heat output percentage of the boiler during the central heating mode compared to the minimum heat output available | 0 ÷ 100 (%) | 0       |                  |
| Correction flow DHW        | Not used on this model   | -           | -       |                  |

The P.C.B. defines the operating mode and the boiler output according to the combination of several parameters. The correct ranges to obtain the correct operating power of the appliance are defined from the combination of parameters "Model", "Gas type", "Length Flue".

MAINTENANCE/TECHNICIAN

TECHNICAL DATA



| MENU/Service/Boiler/External relays |  |   |         |                  |
|-------------------------------------|--|---|---------|------------------|
| Menu item                           | Description  | Range   | Default | Customised value |
| Relay 1                             | The boiler is set-up for functioning with the relay board (optional), which can be configured on relay 1 | Off = relay always Off  | Zone 1  |                  |
|                                     |  | Zone 1 = Zone 1 control   |         |                  |
|                                     |  | Allarm = General alarm  |         |                  |
|                                     |  | CH active = Central heating mode / C.H. mode active                           |         |                  |
|                                     |  | Gas valve = External gas valve power supply                                   |         |                  |
|                                     |  | Three-way = Active together with three-way position in central heating / C.H. |         |                  |
|                                     |  | DHW active = Central heating mode / C.H. mode active                          |         |                  |
| Relay 2                             | The boiler is set-up for functioning with the relay board (optional), which can be configured on relay 2 | Off = relay always Off  | Off     |                  |
|                                     |  | Allarm = General alarm  |         |                  |
|                                     |  | CH active = Central heating mode / C.H. mode active                           |         |                  |
|                                     |  | Gas valve = External gas valve power supply                                   |         |                  |
|                                     |  | Zone 2 = Zone 2 control   |         |                  |
|                                     |  | PdC = not used on this model  |         |                  |
|                                     |  | DHW active = Domestic hot water mode / DHW mode active                        |         |                  |
| Relay 3                             | The boiler is set-up for functioning with the relay board (optional), which can be configured on relay 3 | Off = relay always Off  | Off     |                  |
|                                     |  | CHL active = not used on this model   |         |                  |
|                                     |  | Allarm = General alarm  |         |                  |
|                                     |  | CH active = Central heating mode / C.H. mode active                           |         |                  |
|                                     |  | Gas valve = External gas valve power supply                                   |         |                  |
|                                     |  | PdC = not used on this model  |         |                  |
|                                     |  | *DHW recirc. = Storage tank recirculation pump active when Boost is active    |         |                  |
|                                     |  | Zone 1 = Zone 1 control   |         |                  |
|                                     |  | DHW active = Domestic hot water mode / DHW mode active                        |         |                  |

(\*) To activate recirculation using the “recirculation pump” optional kit, in addition to configuring the relay, it is necessary to activate the Boost function. With Boost On, recirculation is always running. With Boost Auto, recirculation works according to the time slots set on the DHW (Domestic hot water) program (on in comfort and off in economy).

| MENU/Service/Boiler/Flue |  |                 |         |                  |
|--------------------------|--|-----------------|---------|------------------|
| Menu item                | Description  | Range           | Default | Customised value |
| Length                   | Sets flue length   | min / med / max | min     |                  |
| Enable klapet valve      | Set the preset parameters on the board software to allow installation in configuration C10 - C12 | No / Yes        | No      |                  |

INSTALLER

USER

MAINTENANCE TECHNICIAN

TECHNICAL DATA



A change in these parameters will cause the appliance block signalled with E72; to reset E72, a quick calibration must be activated.

INSTALLER

| MENU/Service/Boiler/Timers |  |         |             |                  |
|----------------------------|--|---------|-------------|------------------|
| Menu item                  | Description  | Range   | Default     | Customised value |
| Antiheating cycles         | Central heating / C.H. anti-cycle timer set  | 0 ÷ 840 | 180 seconds |                  |
| Heating ramp               | Set central heating ramp timer   | 0 ÷ 840 | 180 seconds |                  |
| RT request delay           | Set delay timer requested by TA  | 0 ÷ 600 | 0 seconds   |                  |
| Solar delay                | Not used on this model   |         |             |                  |
| Waiting time priority      | Not used on this model   |         |             |                  |
| Antilegionella stop        | Sets the maximum time for the anti-legionella function. Once this time elapses, an error is indicated and the function is forced to terminate. | 0 ÷ 255 | 180 minutes |                  |
| Boiler end of precedence   | Set a time after which the appliance indicates error 177   | 0 ÷ 255 | 240 minutes |                  |

USER

| MENU/Service/Boiler/Circulator |  |  |         |                  |
|--------------------------------|--|--|---------|------------------|
| Menu item                      | Description  | Range  | Default | Customised value |
| Mode                           | Sets the central heating / C.H. pump operation mode                          | Interm. = in winter "mode" the pump is managed according to the room control request.    | Interm. |                  |
|                                |  | Cont. = in "Winter" mode the pump is always powered and is therefore always in operation |         |                  |
| Max speed                      | Sets the maximum pump operating speed in central heating / C.H.              | 1 ÷ 9  | 9       |                  |
| Min speed                      | Sets the minimum pump operating speed in central heating / C.H.              | 1 ÷ 9  | 6       |                  |
| Delta t                        | This defines the type of speed control of the pump in central heating / C.H. | Delta t = 0: head proportional to the power supplied by the burner                       | 15°C    |                  |
|                                |  | Delta t = 5...25: constant Delta t operation (at the set value)                          |         |                  |

MAINTENANCE TECHNICIAN

TECHNICAL DATA

| MENU/Service/Domestic Hot Water |   |   |           |                  |
|---------------------------------|---|---|-----------|------------------|
| Menu item                       | Description   | Range   | Default   | Customised value |
| Boiler control input            | Sets the type of connection to be made to terminals 36-37, with which the storage tank control is activated | ntc = storage tank control performed via NTC probe  | ntc       |                  |
|                                 |   | dig = storage tank control performed by contact: with the contact closed, the boiler will run in domestic hot water mode, whereas, with the contact open, the boiler will stop the domestic hot water mode  |           |                  |
|                                 |   | ntc+dig = the storage tank is controlled by means of an NTC probe connected to terminals 36-37; it is possible to disconnect the NTC probe with an external contact, to prevent the DHW function without Error 12 appearing inappropriately on the boiler panel |           |                  |
| DHW hysteresis                  | Set the storage tank control hysteresis and temperature   | hyster. 0: 3k control hysteresis and flow correlated to the DHW setting (set +25K)  | hyster. 3 |                  |
|                                 |   | hyster. 1: 3k control hysteresis and flow correlated to boiler power  |           |                  |
|                                 |   | hyster. 2: 10k control hysteresis and flow correlated to set  |           |                  |
|                                 |   | hyster. 3: 5k control hysteresis and flow fixed at 85°C   |           |                  |
|                                 |   | hyster. 4: hysteresis and flow settable on parameters below the item  |           |                  |
| Boil. water temp. hyst. 4       | Set the storage tank flow temperature for hysteresis type 4   | 35 ÷ 85   | 70°C      |                  |
| Diff. prec. with hyst. 4        | Set the storage tank control hysteresis for type 4 hysteresis   | 0 ÷ 10  | 6°C       |                  |
| DHW flow regulator              | Not used on this model  |   |           |                  |
| DHW min set                     | Set minimum DHW (Domestic hot water) set limit available to user  | 10 ÷ 65   | 10°C      |                  |
| DHW max set                     | Set maximum DHW (Domestic hot water) set limit available to user  | 10 ÷ 65   | 60°C      |                  |
| Antilegionella                  | Anti-legion. cycle time: Sets the anti-legionella function intervention time                                | 00:00 ÷ 24:00   | 02:00     |                  |
|                                 | Anti-legion. cycle day: Sets the day(s) of activation of the anti-legionella function                       | None... All   | None      |                  |

| MENU/Service/Central Heating |   |         |         |                  |
|------------------------------|---|---------|---------|------------------|
| Menu item                    | Description   | Range   | Default | Customised value |
| CH min set                   | Set minimum central heating / C.H. set limit available  | 20 ÷ 85 | 20°C    |                  |
| CH max set                   | Set maximum central heating / C.H. set limit available  | 20 ÷ 85 | 85°C    |                  |
| Edit external probe          | Sets correction factor on external probe reading  | -9 ÷ 9  | 0°C     |                  |
| Edit max common flow probe   | Sets the maximum limit for boiler flow set correction from system flow probe reading (Optional) | 0 ÷ 15  | 5°C     |                  |

INSTALLER

USER

MAINTENANCE TECHNICIAN

TECHNICAL DATA

| MENU/Service/Inputs |  |  |         |                  |
|---------------------|--|--|---------|------------------|
| Menu item           | Description  | Range  | Default | Customised value |
| Configurable input  | Sets the management of the input available at connection terminals 38 and 20 | Disable / Flow temp / Photovol.  | Disable |                  |
| Remote control      | Sets the dialogue protocol with remote device                                | IMG BUS: select this mode when connecting an Immergas remote control (e.g. CARv2) to terminals 44-41   | IMG BUS |                  |
|                     |  | 1: select this mode when a commercial remote is connected to terminals 44-41 (with this selection, the control of the domestic hot water adjustments is available on the boiler panel, rather than on the remote device) |         |                  |
|                     |  | 2: select this mode when connecting the cascade and zone regulator system to terminals 44-41 (valid for Plus models)   |         |                  |

| MENU/Service/Modbus |  |                      |         |                  |
|---------------------|--|----------------------|---------|------------------|
| Menu item           | Description  | Range                | Default | Customised value |
| Type                | Enables dialogue in Dominus app or Domotics system | Off - Dominus - *Bms | Off     |                  |

### BMS mode (Building Management System)

When the BMS is activated and functioning, the control panel behaves like when the Car V2 is connected.

This condition is specified by the appearance of the word "BMS" under the zone identification icon.

The device connected to the BMS must only be controlled by it and not by other external appliances, such as the Car V2, the zone board, etc.

If the BMS is activated and these appliances are present simultaneously, a conflict will be generated and will appear on the display with the text "Incompatible mode".

\* When the BMS parameter is selected, the parameters already set and ready to communicate with the Immergas system manager will appear and be visible in the following table:

| MENU/Service/Modbus/Bms |   |  |         |                  |
|-------------------------|---|--|---------|------------------|
| Menu item               | Description                                     | Range  | Default | Customised value |
| Slave address           | Items displayed when Modbus type is set to BMS. | 1÷247  | 1       |                  |
| Baud rate               |   | 1200 - 2400 -<br>4800 - 9600 -<br>19200 - 38400<br>(bps) | 9600    |                  |
| Parity bit              |   | None / Even /<br>Odd                                     | Even    |                  |
| Stop bits               |   | 1 - 2  | 1       |                  |



If the BMS must be integrated into an existing home automation system or other than the Immergas system manager, the Authorised Technical Assistance Centre must be contacted for the configuration of the correct parameters.

MENU/Service/Special function/**Deaeration**

| Menu item                  | Description  | Range        | Default | Customised value |
|----------------------------|--|--------------|---------|------------------|
| Enable vent                | Vent enabled: to activate automatic venting at each power-on   | No - Yes     | No      |                  |
| Deaeration comand          | Activates/deactivates the deaeration control with a command    | Stop - Start |         |                  |
| Function duration in hours | This displays the time remaining until the end of the function | 0 - 255 (h)  |         |                  |
| Error                      | This displays any current anomaly                              | --           |         |                  |

MENU/Service/Special function/**Test flue**

| Menu item     | Description                       | Range        | Default |
|---------------|-----------------------------------|--------------|---------|
| En. test flue | Activate the flue test function   | Stop - Start | Stop    |
| Status        | Notifies the function status      | Off - On     |         |
| Fan speed     | Fan speed display (rpm)           | -- (rpm)     |         |
| Fault         | This displays any current anomaly | --           |         |

MENU/Service/Special function/**Complete calibration**

| Menu item            | Description  | Range |
|----------------------|--|-------|
| Complete calibration | Activates the complete calibration function (Access to the calibration window with activation of the complete calibration command: makes it possible to change the combustion set) |       |

MENU/Service/Special function/**Fast calibration**

| Menu item        | Description  | Range |
|------------------|--|-------|
| Fast calibration | Activates the quick calibration function (Access to the calibration window with activation of the quick calibration command) |       |

INSTALLER

USER

MAINTENANCE/TECHNICIAN

TECHNICAL DATA

| MENU/Service/Special function/Screed heater |   |  |          |                  |
|---|---|--|----------|------------------|
| Menu item                                   | Description   | Range  | Default  | Customised value |
| En. screed heater                           | Activates the function with Yes selected and the advanced end if No is selected   | No - Yes   | No       |                  |
| Minimum flow set                            | It is possible to set the minimum flow temperature at screed heater function start  | 20 ÷ 45 (°C)   | 25°C     |                  |
| Maximum flow set                            | It is possible to set the maximum flow temperature delivered during the screed heater function                                | 25 ÷ 55 (°C)   | 45°C     |                  |
| Time spent set min                          | It is possible to set the days of stay at minimum flow set during the screed heater function                                  | 1 ÷ 7 (Day/s)  | 3 Day/s  |                  |
| Climb gradient                              | It is possible to set the ascent variation speed from minimum flow set to maximum flow set during the screed heater function  | 3 ÷ 30 (°C/Day)  | 30°C/Day |                  |
| Time spent set max                          | It is possible to set the days of stay at maximum flow set during the screed heater function                                  | 1 ÷ 10 (Day/s)   | 4 Day/s  |                  |
| Descent gradient                            | It is possible to set the descent variation speed from maximum flow set to minimum flow set during the screed heater function | 3 ÷ 30 (°C/Day)  | 30°C/Day |                  |
| Status                                      | This displays the screed heater function progress   | Off = deactive function  |          |                  |
|   |   | Min = function active with stay time at minimum flow set                       |          |                  |
|   |   | up = function active with increase from minimum flow set to maximum flow set   |          |                  |
|   |   | Max = function active with stay time at maximum flow set                       |          |                  |
|   |   | down = function active with decrease from maximum flow set to minimum flow set |          |                  |
| Holding time T max                          | T is displays the stay time at maximum screed heater temperature (h)  | (h)  |          |                  |
| Function duration in days                   | This displays the time remaining until the end of the function in days  | (Day/s)  |          |                  |
| Function duration in hours                  | This displays the time remaining in hours until the end of the function (to be added to the days of the previous item)        | (h)  |          |                  |

| MENU/Service/Maintenance |   |          |         |                  |
|--------------------------|---|----------|---------|------------------|
| Menu item                | Description   | Range    | Default | Customised value |
| Select number of months  | Sets the number of months for scheduled maintenance | Off - 36 | Off     |                  |

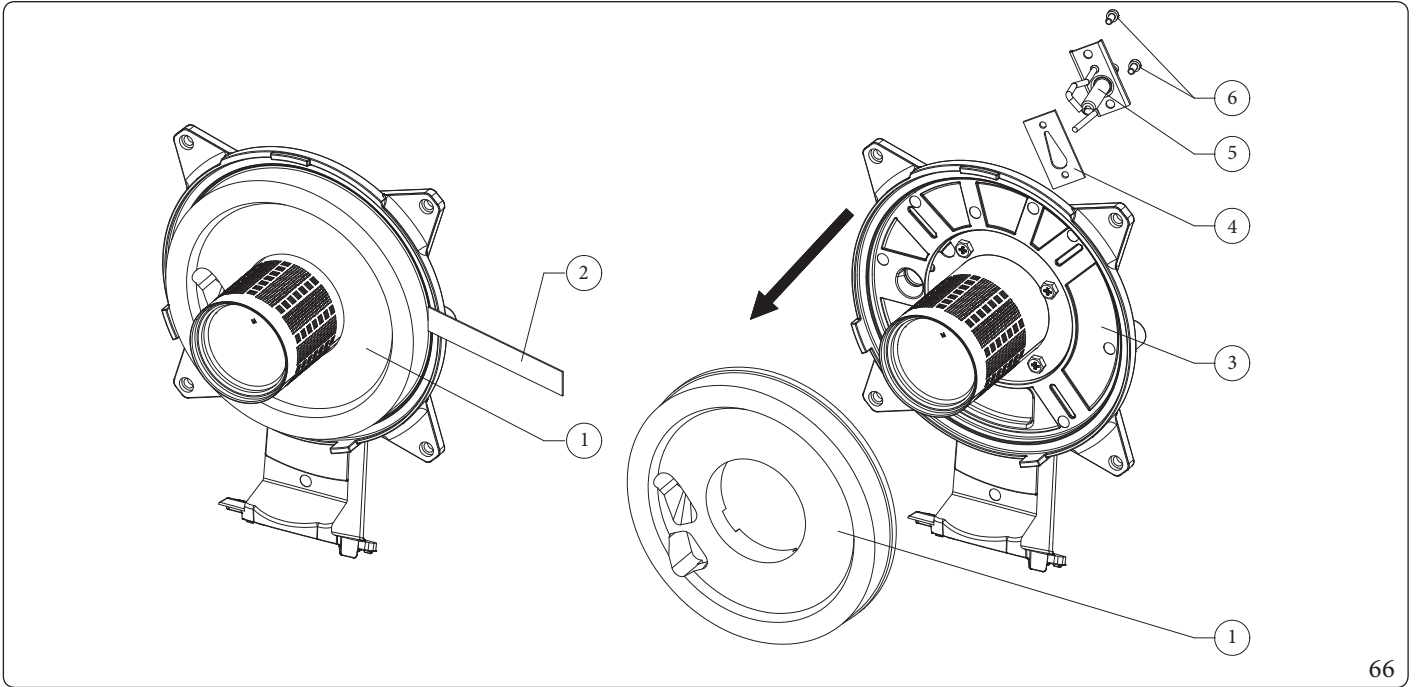
### 3.16 REPLACING THE MANIFOLD INSULATING PANEL

1. Unscrew the fixing screws (6) of the ignition and detection electrode (5) and remove it.
2. Remove the insulating panel (1) by actuating a blade (2) under its surface.
3. Remove the residue of the fixing adhesive from the surface of the manifold (3).
4. Replace the insulating panel (1).



The new insulating panel, used as a spare to replace the removed one, does not need to be fixed with glue as its shape with the interference on the burner ensures correct coupling with the manifold.

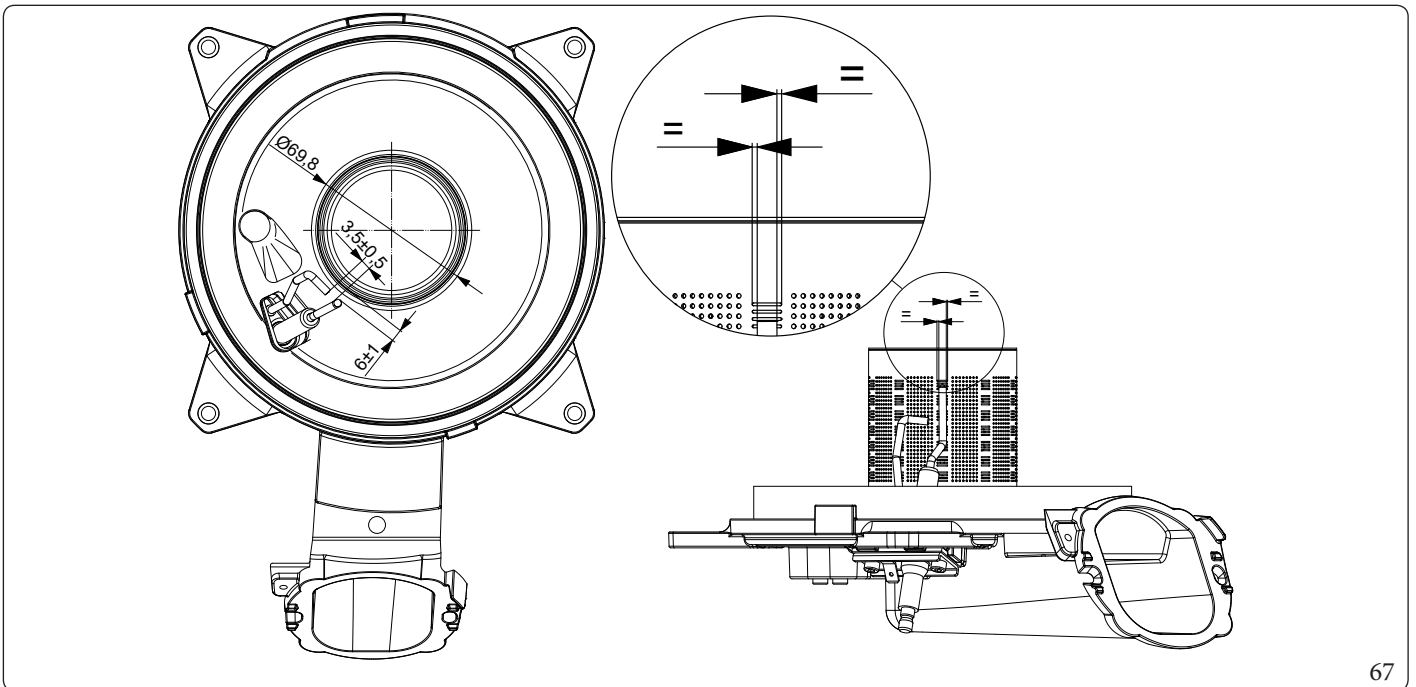
5. Refit the ignition and detection electrode (5) using the previously removed screws (6) and replace the relative gasket (4).



66

#### Electrode distance

To regain optimal operation, make sure that the following variables are respected when refitting the electrodes.



67

INSTALLER

USER

MAINTENANCE TECHNICIAN

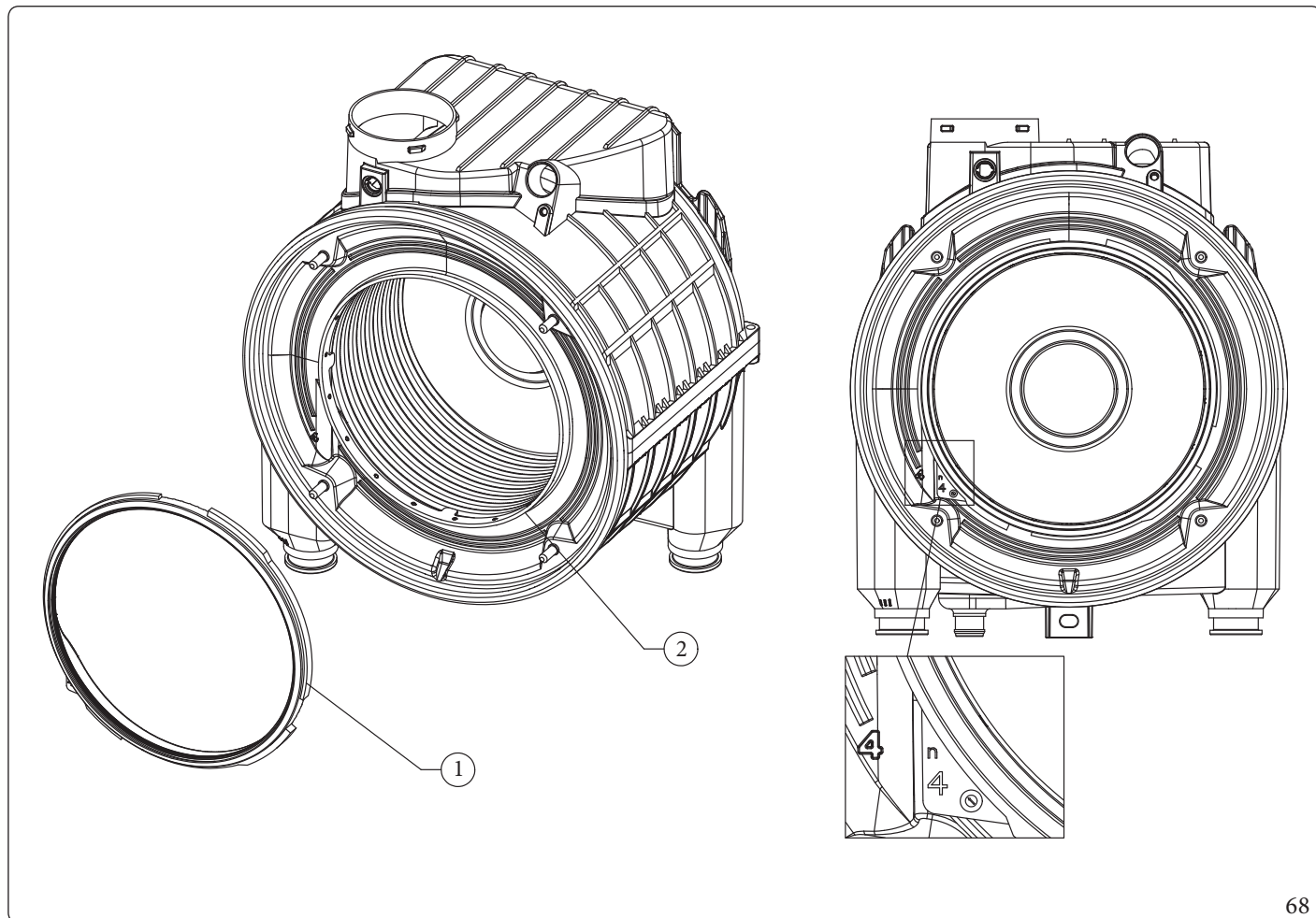
TECHNICAL DATA

### 3.17 ASSEMBLY OF MANIFOLD GASKET ON CONDENSATION MODULE

1. Place the module gasket (1) radially on the edge of the condensation module flange (2).
2. Make sure that the gasket tab with number 4 printed on it is positioned in its seat on the module flange, indicated with the number 4.



Every time the manifold is opened, the condition and integrity of the ceramic fibres must be verified and replaced, if necessary. On the other hand, the manifold gasket must be replaced every 2 years and every time the manifold is opened, regardless of the time elapsed. After replacing the external silicone gasket, it is mandatory to check the fume tightness.



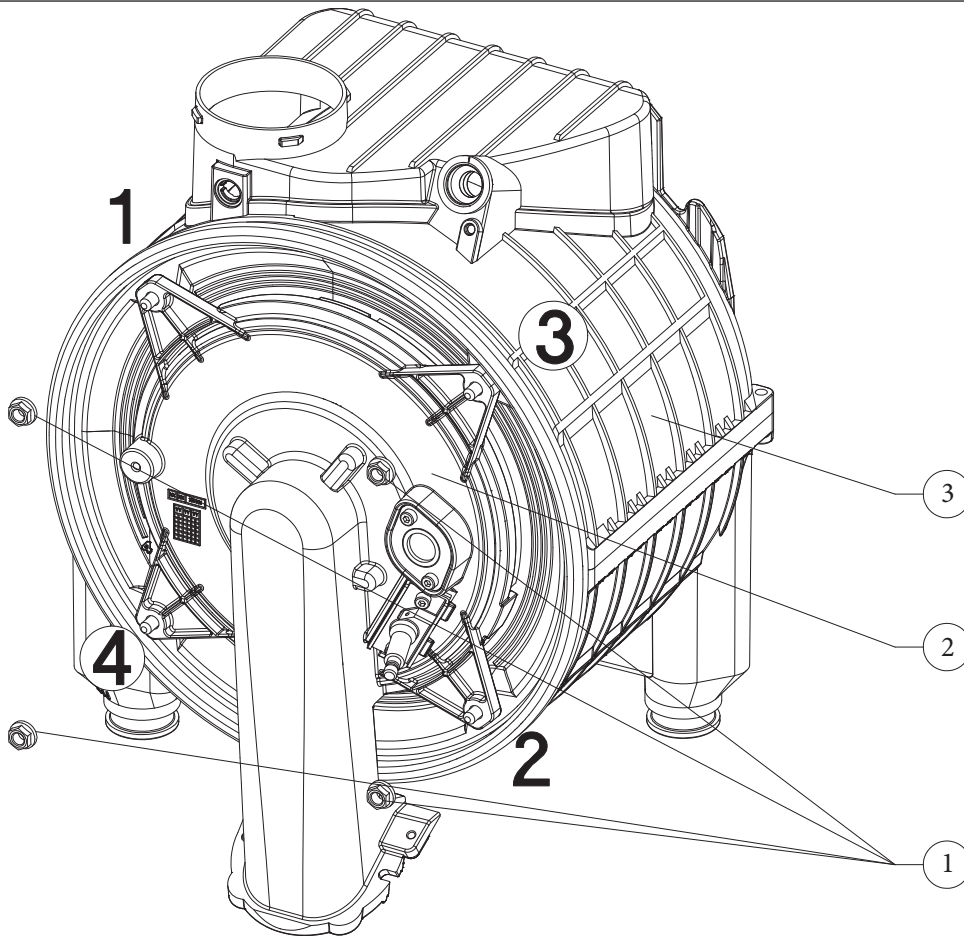


### 3.18 ASSEMBLING THE MANIFOLD ON THE CONDENSATION MODULE

1. Set the manifold on the module.
2. Tighten the 4 nuts (1) on the condensation module (3) according to the sequence indicated in the drawing.



The maximum tightening force in assembling the manifold (2) on the condensation module (3) must be 5 Nm.



69

INSTALLER

USER

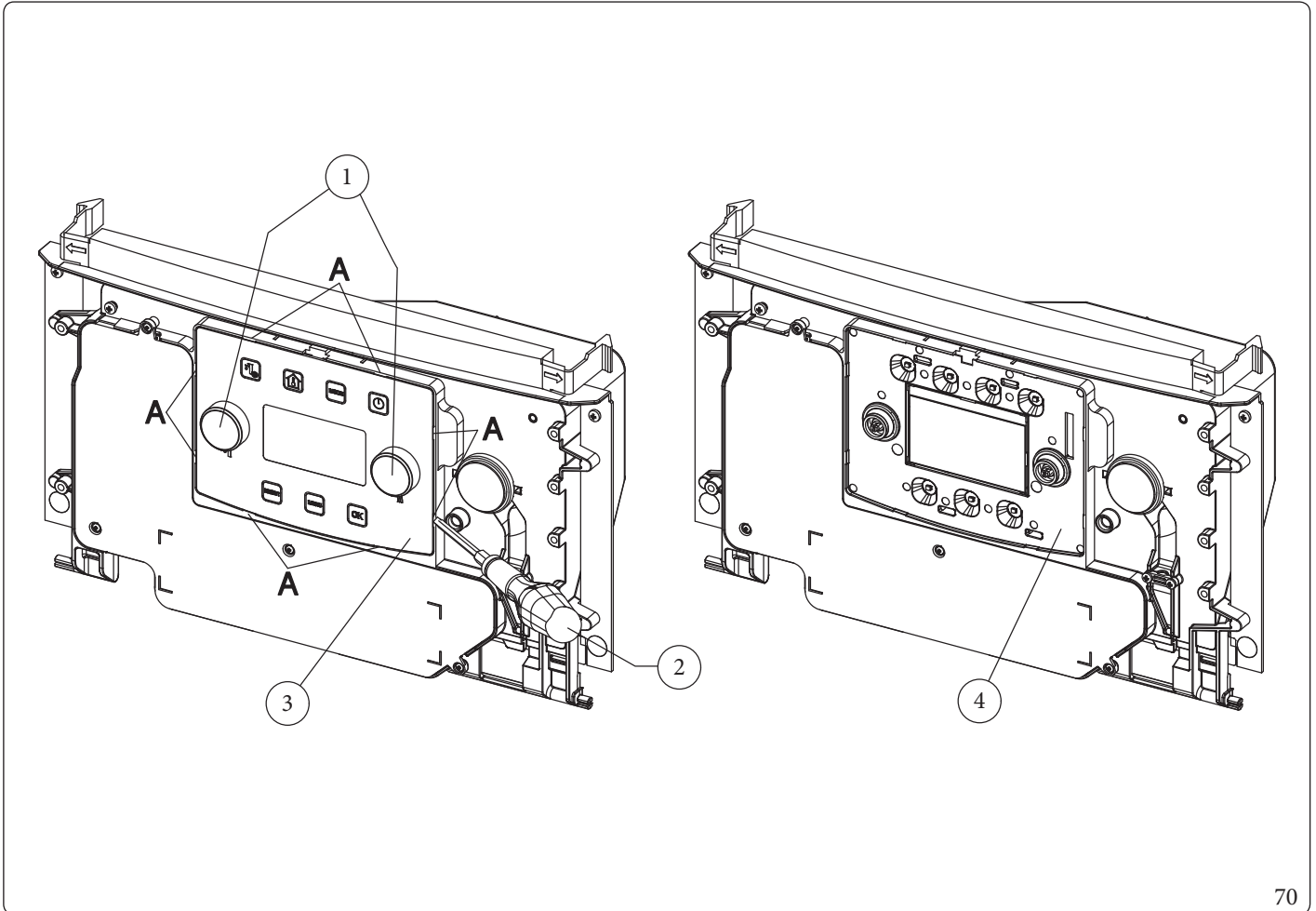
MAINTENANCE TECHNICIAN

TECHNICAL DATA

### 3.19 REPLACING THE CONTROL PANEL KEYBOARD

When replacing the keyboard due to a fault or malfunction, proceed as follows:

1. Open the control panel (Fig. 76) and disconnect the pin strip that connects the keyboard to the display
2. Remove the knobs (1)
3. Use a flat head screwdriver (2) to remove the keyboard (3), actuating under the surface in the various points indicated with (A).
4. Pulir and the surface (4) of the control panel by removing any residue of the double-sided adhesive.
5. Glue the new keyboard to the control panel by applying finger pressure along the entire perimeter of the keyboard.



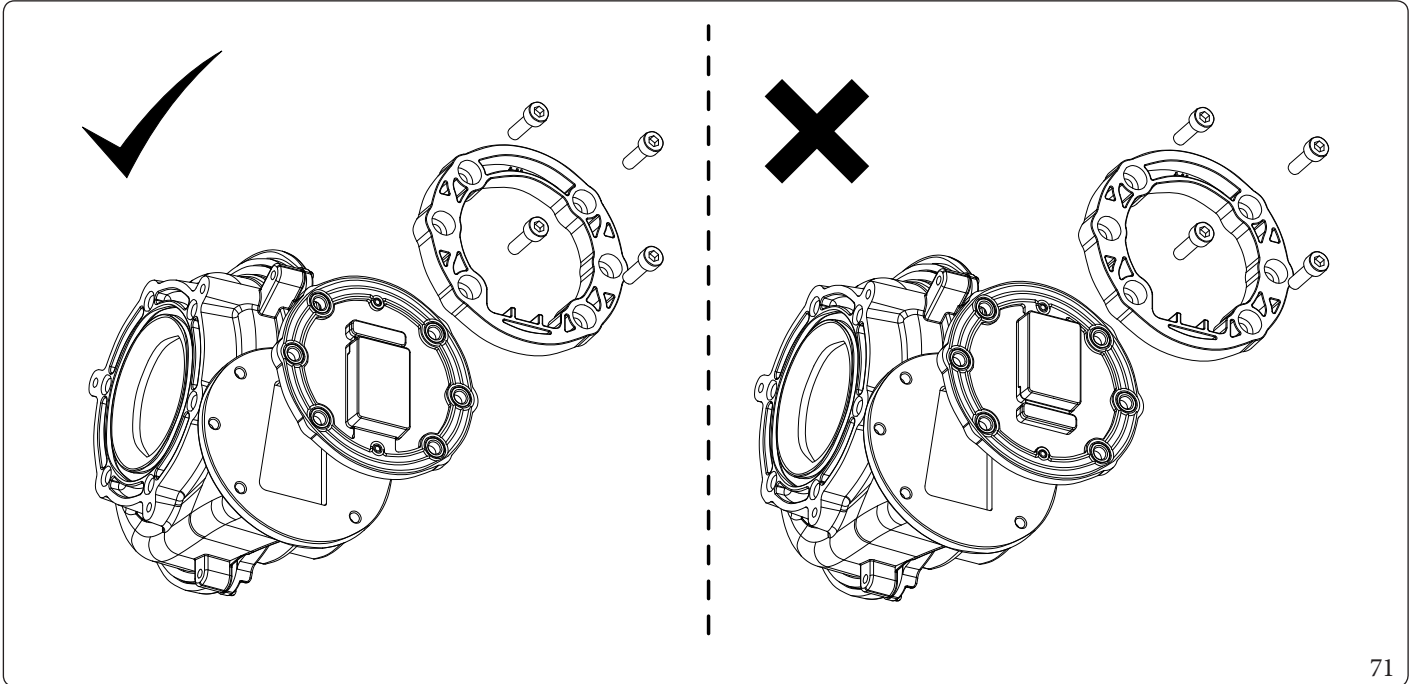
### 3.20 SPECIFIC INFORMATION FOR CORRECT APPLIANCE INSTALLATION IN COMMON PRESSURISED FLUE SYSTEMS (C10 - C12)



The appliance is factory equipped with a flue gas non-return valve located downstream of the fan, this device, given the importance of its correct operation, must have its installations C(10) and C(12) checked on an annual basis, and the active rubber element must be replaced in case of cuts in the moving parts.



**For safety reasons, the flue gas non-return valve (inside the appliance) must be replaced after 10 years of operation.**



Before removing the sealing elements of the sealed chamber, using the flue gas analyser and with the appliance off, check that there are no traces of combustion products in the flue gas sample point.

The presence of combustion products indicates that the non-return valve on the flue gas (in appliance exhaust) is not properly closed, in which case it is appropriate to check the absence of flue gas even in the sealed chamber (analysis via air sample point).



If malfunctions are detected on the flue gas non-return valves, especially on the discharge valve, in the absence of a shut-off flue adjusting device at the coupling point of the flue in the pressurised collective flue, it will be necessary to turn off all the boilers connected to the pressurised collective flue itself, or make sure to intercept the connection point to avoid the dispersion of combustion products into the environment.

Only then proceed to verify the components, making sure that the non-return valve siphon on the flue gas (on the exhaust) (Fig. 42) is full and replacing them if malfunctioning or damaged.

INSTALLER

USER

MAINTENANCE TECHNICIAN

TECHNICAL DATA

### 3.21 APPLIANCE COUPLING WITH WIRELESS ROOM PROBES

The kit concentrator with probe consists of two devices capable of communicating together via radio frequency. The radio association between the two devices **is not factory set**.

It is necessary to perform the following operations at the time of installation, in order to activate radio acknowledgement and assign room control to the correct zone.

The room probe will be positioned in the room where temperature control is required.

The room probe works with the use of two 1.5V AA batteries and does not require electrical connection via wires.

The concentrator must be connected to the appliance by wiring (supplied with the kit) and positioned near the appliance.

If necessary it can be placed away from the appliance; in this case, it is necessary to provide a suitable electrical connection (not supplied with the kit).



Both the probe and the concentrator are suitable for indoor operation; they cannot be used outdoors and/or in environments subject to atmospheric agents.

#### Association procedure:

Insert the batteries on the probe and press the button on the probe for 5 sec.



If the probe is already previously associated, the LH and RH LEDs will flash alternately, therefore **it is necessary to proceed with the RF disassociation** (see RF Disassociation operations); if it **is not associated** the LH LED will start to flash (RH LED off), then continue with the next step of this procedure.

#### Zone assignment to wireless room probe:

1. make sure to have correctly made the electrical connections between concentrator and appliance and to have inserted the batteries on the wireless probe;
2. feed the appliance and access the Menu. For more details on menu navigation and access controls, see (Par. 2.8);
3. access with the "Service" credentials;
4. access the Zones Menu;
5. select the zone to which the room probe refers;
6. enter the Definition/Room probe menu;
7. Select Type = RF;
8. set the M3 address of the concentrator to which to associate the wireless probe (the M3 address is defined by the position of the switches on the board inside the concentrator, default 0);
9. press OK (a confirmation window will be displayed with the text "Confirm operation?");
10. accept the confirmation request by pressing OK; then the display will show "Status..." (association in progress) and Lh LED will flash on the concentrator (pending association);
11. move to the probe to be associated within 30 seconds and press the central button for 5 seconds. When the LH LED flashes, briefly press the button again (1 second);
12. once the operation has been completed correctly, the 2 LH and RH LEDs will flash alternately on the probe for 10 sec. to then indicate on the LH LED the number of the associated zone by flashing, with the RH LED steady. If the operation is not completed correctly, the two LEDs will flash synchronously for 5 seconds and the display will show the text "Status No-Link" (the operation needs to be repeated);
13. on Display, when the operation is completed correctly, the room probe status appears as "Ok".

#### Indications displayed on the "Status Room probe" menu

The following items appear in the Room probe association window:

- **Status = Err:** configuration error; the association sequence on the concentrator was not successful. Repeat the association sequence.
- **Status = No-Link:** error on RF association between probe and concentrator; it may also appear with probe battery flat. Check wireless probe operation and repeat the association sequence.
- **Status = - - :** indicates the wait for configuration; if it is maintained for a long time during the association sequence, check the connection between the concentrator and appliance.
- **Status = ...:** indicates the mode of association in progress.
- **Status = Ok:** indicates the correct association between the wireless probe and the zone to be controlled.

### RF disassociation on wireless room probe

Should it be necessary to reset a previous assignment made on the room probe, proceed with the following operation on the room probe:

1. Press and hold the RF Probe button for at least 5s, if it is associated the LH-LEDs and the RH-LEDs will start to flash alternately;
2. At this point, press the button again for 5s and release it when only the LH-LED starts flashing while the RH-LED remains off;
3. Wait until the LH LED stops flashing before making a new association.

By using optional kits such as the concentrator kit for wireless room probes (if necessary to manage a single zone) and any wireless room probe kit (to manage any other zones up to a maximum of 3), it is possible to activate a room control in central heating / C.H. managed directly by the appliance.

The central heating / C.H. program will manage two room temperatures (comfort and reduced) in combination with the slots requested on the central heating / C.H. program (possibly diversified for the 3 zones).

Under these conditions, it will be possible to activate a system flow temperature modulating control so as to limit consumptions (enter any temperature control class, see table below).

To complete the room control via wireless probes, it is possible to connect the external probe (optional) and activate the control via the Dominus App (optional).

Remember that the central heating / C.H. demand, in addition to being subject to the central heating / C.H. program and to the temperature detected by the room probe, it will also be controlled by the contact set up for limit switch micro (terminals 40-41 for single zone).

For the electrical connection, configuration and correct management of the room probes (+ concentrator), see the kit instruction sheet.

| Class | Contribution to room central heating seasonal energy efficiency | Description   |
|-------|---|---|
| I     | 1%  | Using up to 2 Wireless room probes with modulating function excluded  |
| V     | 3%  | Using up to 2 Wireless room probes with modulating function active  |
| VI    | 4%  | Using up to 2 Wireless room probes with modulating function active on room and on external temperature (+ external probe connected to boiler) |
| VIII  | 5%  | Using 3 Wireless room probes with modulating function active  |

### 3.22 AUTOMATIC VENTING FUNCTION

The De-aeration setting and activation control is available in the Menu (with Service recognition) at the following path:

#### Menu/Service/Special function/Deaeration

Once in the "Deaeration", page, the window allows the first line to activate automatic de-aeration each time the appliance is powered by selecting "Enable vent = Yes" (standard setting).

This function lasts 8 minutes and it can be ended both by setting "Enable vent = No" and by pressing the "Reset" button on the main screen control panel.

On the second line of the "Deaeration" page it is possible to activate the manual de-aeration by selecting "Deaeration comand = Start".

This function lasts 18 hours and it can be ended by setting "Deaeration comand = Stop" and by pressing the "Reset" button on the control panel.

### 3.23 "CHIMNEY SWEEP" FUNCTION

Activate the chimney sweep function by enabling the mode as described below.

With the display set on the main screen (if not, go to the main screen by pressing the "Menu" key

1. Activate the keyboard by pressing any key (if it is not already active, i.e. with the backlit keys);
2. Press the "RESET" key and keep it pressed for about 4 - 6.5 seconds until the message "Chimney sweep" appears, then release the key;
3. When the "RESET" key is released, the following list will appear on the display:

| Chimney sweep     |   |              |         |
|-------------------|---|--------------|---------|
| Menu item         | Description   | Range        | Default |
| En. chimney sweep | Chimney sweep function active                         | Stop - Start | Stop    |
| Status            | Notifies the function status                          | Off - On     |         |
| Set power level   | Set power level                                       | 0 ÷ 100%     |         |
| CH temperature    | Flow temperature display                              | 0 ÷ 99°C     |         |
| Flame             | This displays the flame status                        | Off - On     |         |
| Circuit CH        | Notification if central heating / C.H. is activated   | Off - On     |         |
| Circuit DHW       | Notification if DHW (Domestic hot water) is activated | Off - On     |         |
| Fault             | This displays any current anomaly                     | --           |         |



If the key is released after the time limit of 6.5 seconds, no function is activated.



In this state, all adjustments are excluded and the safety thermostat and the limit thermostat functions remain active.

Activate the function in the first line by selecting "Start".

This function makes it possible for the technician to check the combustion parameters in the working range that goes from minimum central heating / C.H. Q. to Nominal central heating / C.H. Q.

It is possible to select whether to make the check in CH status or DHW status by opening any hot water cock.

The power supplied by the burner can be adjusted within the chimney sweep menu on the "Set power level" parameter.

The central heating or D.H.W. operating mode is displayed on the chimney sweep window.

After completing the checks, disable the function by selecting "Stop".

If an anomaly with a manual release command is active when this function is started, the prolonged pressure described above will be followed by the message "Chimney sweep: anomaly in progress".

If the "NoFrost" mode is set at start-up, the prolonged pressure described above will be followed by the message "Chimney sweep: Mode not compatible".

Once activated from the "Chimney sweep" window, the function remains active until the "En. chimney sweep=Stop" command is given, or after the chimney sweep function has lasted for 20 minutes after the last action on the buttons and/or encoder.



With the function active, it is possible to return to the initial screen and then re-enter the "Chimney sweep" window with a long press on the reset button, keeping the function always active.

### 3.24 SCREED HEATER FUNCTION

The appliance is equipped with a function to perform the thermal shock on new radiant panel systems, as required by the applicable standard.

The function can only be activated when the appliance is in antifreeze mode.



Contact the manufacturer of the radiant panels for the thermal shock characteristics and its correct execution.



To be able to activate the function there must be no remote control connected, while in case of system divided into zones it must be properly connected, both hydraulically and electrically.

#### Menu/Service/Special function/Screed heater

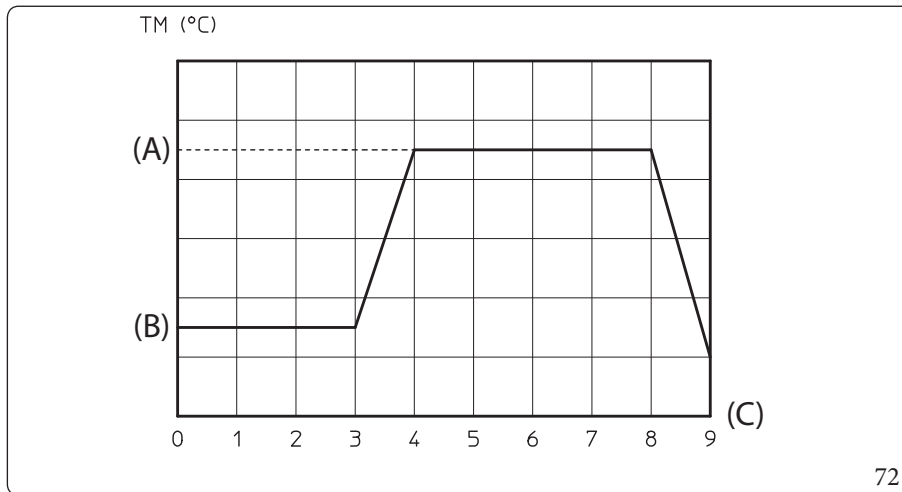
The active zone pumps are those with ongoing requests, made via the room thermostat input.

The standard function lasts in total 8 days - 3 days at the lowest temperature set and 5 days at the highest temperature selected plus the time necessary for the ascent and descent variations (Fig. 72).

Duration can be changed by changing the value of parameters, see (Par. 2.8).

At this point, the message "Screed heater in progress" appears on the display.

In case of failure, the function is suspended and will resume when normal operating conditions are reset from the point where it was interrupted.



Key (Fig. 72):

(A) - Top set

(B) - Lower set

(C) - Days

### 3.25 PUMP ANTI-BLOCK FUNCTION

The appliance has a function that starts up the pump at least once every 24 hours for 30 seconds in order to reduce the risk of the pump locking up due to prolonged inactivity.

### 3.26 THREE-WAY ANTI-BLOCK SYSTEM

In both phase "Domestic Hot Water" and "Domestic Hot Water-Central Heating", the appliance has a function that activates the motorised 3-way unit 24 hours after the last time it operated by running a complete cycle in order to reduce the risk of the 3-way blocking due to prolonged inactivity.

### 3.27 RADIATORS ANTIFREEZE FUNCTION

If the system return water is below 4°C, the appliance starts up until reaching 42°C.

### 3.28 P.C.B. PERIODICAL SELF-CHECK

During functioning in Central heating mode or with appliance in Standby, the function activates every 18 hours after the last appliance check/power supply. In case of functioning in domestic hot water mode the self-check starts within 10 minutes after the end of the withdrawing in progress, for duration of approx. 10 seconds.



During the self-check, the appliance remains off. Warnings included.

### 3.29 CASING REMOVAL



The images shown below refer to the instantaneous version but the casing disassembly procedure for the Plus version is the same.

INSTALLER

To facilitate appliance maintenance the casing can be completely removed as follows:

#### Lower grid (Fig. 73)

1. Loosen the two screws (a).
2. Remove the grid (b).

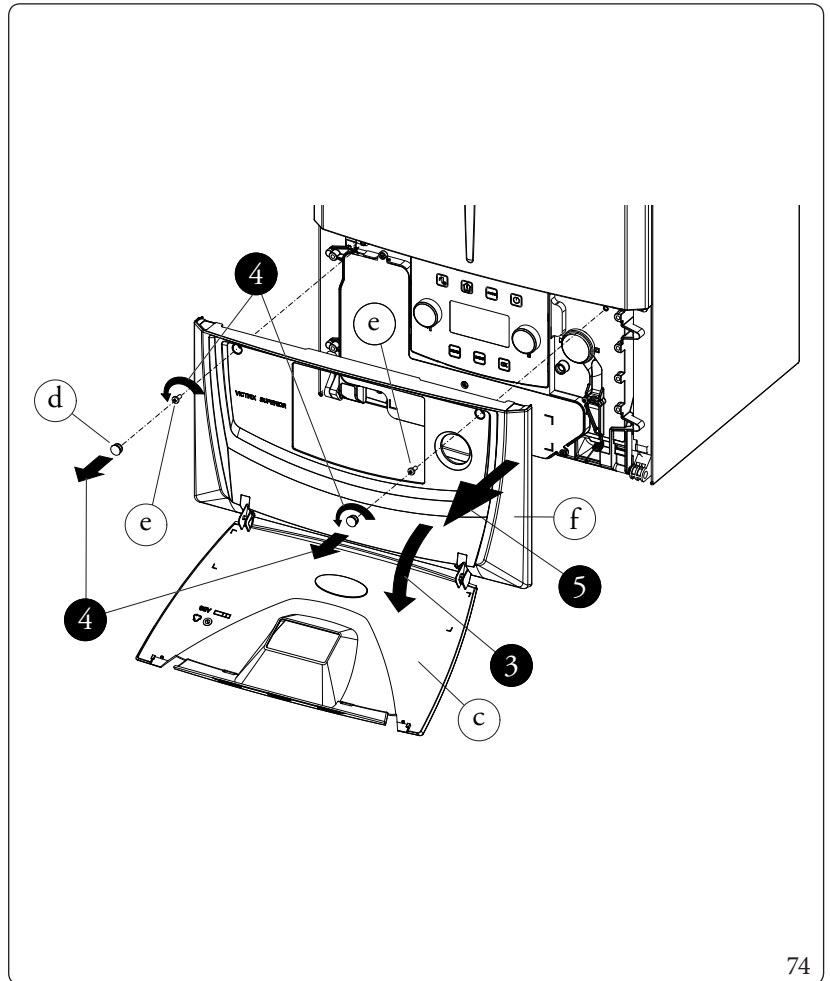
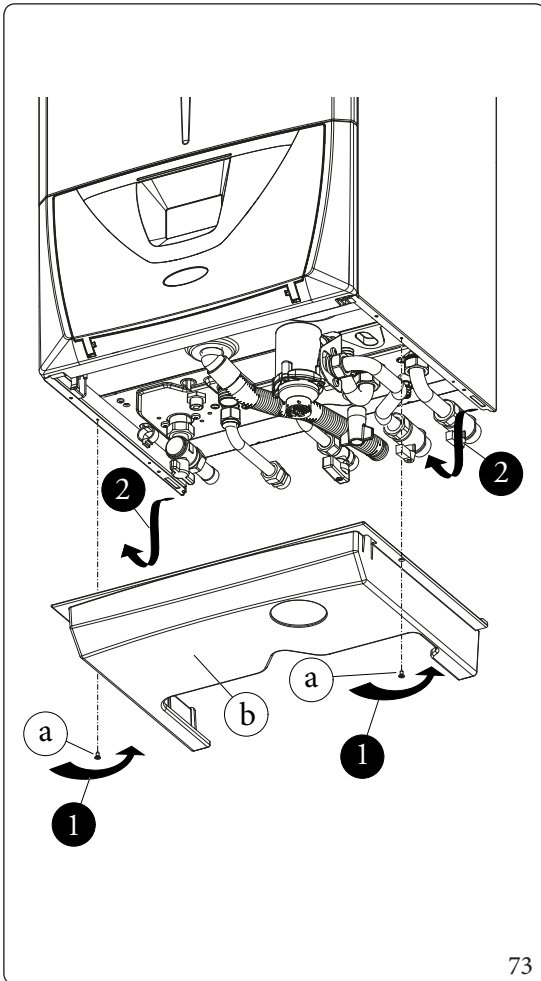
#### Front panel (Fig. 74)

3. Open the door (c).
4. Remove the cover caps (d) and loosen the screws (e).
5. Pull the front panel (f) towards you and release it from its lower seat.

USER

MAINTENANCE TECHNICIAN

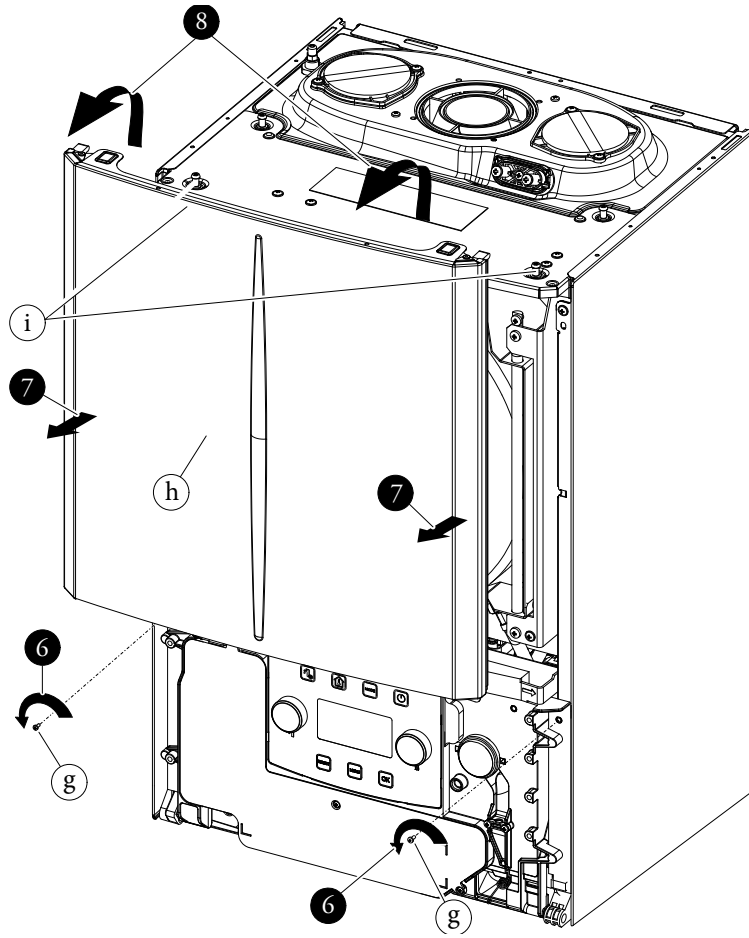
TECHNICAL DATA





**Front (Fig. 75)**

6. Loosen the two screws (g).
7. Pull the front (h) slightly towards you.
8. Release front (h) from pins (i) pulling it towards you while pushing it upwards.



75

INSTALLER

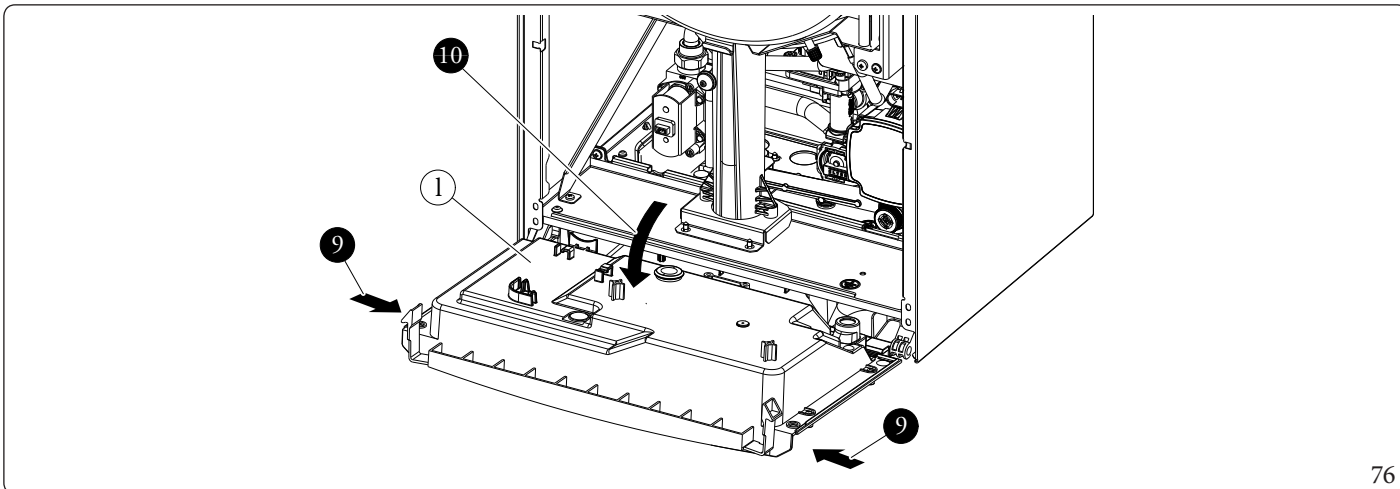
USER

MAINTENANCE/TECHNICIAN

TECHNICAL DATA

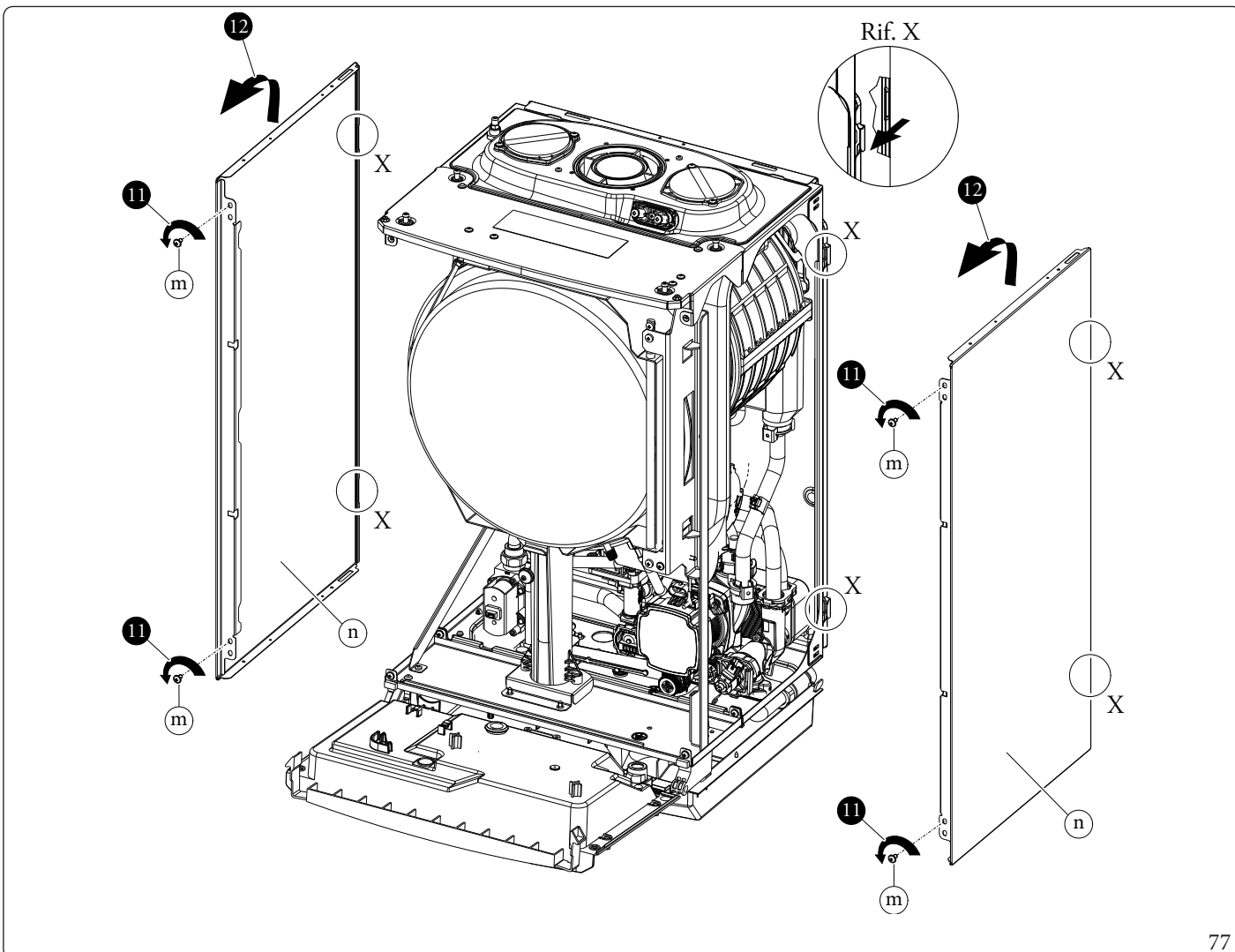
**Control panel (Fig. 76)**

- 9. Press the upper side hooks of the base towards the inside of the appliance
- 10. Tilt the control panel (1) towards you.



**Sides (Fig. 77)**

- 11. Unscrew the side (m) fastening screws (n).
- 12. Disassemble the sides (l) by first lifting them upwards and then pulling them towards you.



# 4 TECHNICAL DATA

## 4.1 VARIABLE HEAT OUTPUT



The power data in the table has been obtained with intake-exhaust pipe measuring 0.5 m in length. Gas flow rates refer to net calorific value below a temperature of 15°C and at a pressure of 1013 mbar.

### Victrix Superior 35 Plus

| HEAT OUTPUT<br>(kW) | HEAT OUTPUT<br>(kcal/h) |                   | METHANE<br>(G20)  |  | G27                             | PROPANE<br>(G31)  |                                 |
|---------------------|-------------------------|-------------------|-------------------|--|---------------------------------|-------------------|---------------------------------|
|                     |                         |                   | MODULATION<br>(%) | GASFLOWRATE<br>BURNER<br>(m <sup>3</sup> /h) | GASFLOWRATE<br>BURNER<br>(kg/h) | MODULATION<br>(%) | GASFLOWRATE<br>BURNER<br>(kg/h) |
| 33,0                | 28380                   | D.H.W.            | 99                | 3,60   | 4.39                            | 99                | 2,64                            |
| 32,0                | 27520                   | HEAT. +<br>D.H.W. | 95                | 3,47   | 4.24                            | 95                | 2,55                            |
| 31,0                | 26660                   |                   | 92                | 3,35   | 4.09                            | 92                | 2,46                            |
| 30,0                | 25800                   |                   | 88                | 3,24   | 3.95                            | 88                | 2,38                            |
| 29,0                | 24940                   |                   | 85                | 3,12   | 3.81                            | 85                | 2,29                            |
| 28,0                | 24080                   |                   | 81                | 3,01   | 3.67                            | 81                | 2,21                            |
| 27,0                | 23220                   |                   | 78                | 2,90   | 3.54                            | 78                | 2,13                            |
| 26,0                | 22360                   |                   | 75                | 2,79   | 3.41                            | 74                | 2,05                            |
| 25,0                | 21500                   |                   | 71                | 2,69   | 3.28                            | 71                | 1,97                            |
| 24,0                | 20640                   |                   | 68                | 2,58   | 3.15                            | 68                | 1,89                            |
| 23,0                | 19780                   |                   | 65                | 2,48   | 3.02                            | 64                | 1,82                            |
| 22,0                | 18920                   |                   | 62                | 2,37   | 2.89                            | 61                | 1,74                            |
| 21,0                | 18060                   |                   | 58                | 2,27   | 2.76                            | 58                | 1,66                            |
| 20,0                | 17200                   |                   | 55                | 2,16   | 2.64                            | 54                | 1,59                            |
| 19,0                | 16340                   |                   | 52                | 2,06   | 2.51                            | 51                | 1,51                            |
| 18,0                | 15480                   |                   | 49                | 1,95   | 2.38                            | 48                | 1,43                            |
| 17,0                | 14620                   |                   | 46                | 1,85   | 2.25                            | 45                | 1,36                            |
| 16,0                | 13760                   |                   | 43                | 1,74   | 2.12                            | 42                | 1,28                            |
| 15,0                | 12900                   |                   | 40                | 1,64   | 1.99                            | 38                | 1,20                            |
| 14,0                | 12040                   |                   | 37                | 1,53   | 1.86                            | 35                | 1,12                            |
| 13,0                | 11180                   |                   | 34                | 1,42   | 1.73                            | 32                | 1,04                            |
| 12,0                | 10320                   |                   | 31                | 1,31   | 1.60                            | 29                | 0,96                            |
| 11,0                | 9460                    |                   | 28                | 1,21   | 1.47                            | 26                | 0,89                            |
| 10,0                | 8600                    |                   | 25                | 1,10   | 1.34                            | 23                | 0,81                            |
| 9,0                 | 7740                    |                   | 21                | 0,99   | 1.21                            | 20                | 0,73                            |
| 8,0                 | 6880                    |                   | 18                | 0,88   | 1.08                            | 17                | 0,65                            |
| 7,0                 | 6020                    |                   | 15                | 0,77   | 0.94                            | 14                | 0,57                            |
| 6,0                 | 5160                    |                   | 12                | 0,66   | 0.81                            | 11                | 0,49                            |
| 5,0                 | 4300                    | 9                 | 0,55              | 0.68   | 7                               | 0,41              |                                 |
| 4,0                 | 3440                    | 6                 | 0,44              | 0.54   | 4                               | 0,33              |                                 |
| 2.8                 | 2383                    | 3                 | 0,31              | 0.37   | 1                               | 0,23              |                                 |
| 2.1                 | 1806                    | 1                 | 0,23              | 0.28   | -                               | -                 |                                 |

INSTALLER

USER

MAINTENANCE TECHNICIAN

TECHNICAL DATA

## 4.2 COMBUSTION PARAMETERS

Combustion parameters: measuring conditions of useful efficiency (flow temperature/return temperature= 80 / 60 °C), ambient temperature reference = 15°C.

### Victrix Superior 35 Plus

| Gastype  |                            | G20          | G31        |
|--|----------------------------|--------------|------------|
| Supply pressure  | mbar (mm H <sub>2</sub> O) | 20 (204)     | 31 (377)   |
| Gas nozzle diameter                                    | mm                         | 5.7          | 5.7        |
| Flue flow rate at D.H.W. nominal heat output           | kg/h (g/s)                 | 57 (15.85)   | 57 (15.91) |
| Flue flow rate at heating nominal heat output          | kg/h (g/s)                 | 55 (15.31)   | 55 (15.36) |
| Flue flow rate at min heat output                      | kg/h (g/s)                 | 4 (1.03)     | 5 (1.42)   |
| CO <sub>2</sub> at Nominal Q.                          | %                          | 8.8 (±0,5)   | 10 (±0,5)  |
| *O <sub>2</sub> at Nominal Q.                          | %                          | *5,2% (±0,5) | *- (-)     |
| CO <sub>2</sub> at Ignition Q.                         | %                          | 8.8 (±0,5)   | 10 (±0,5)  |
| *O <sub>2</sub> at Ignition Q.                         | %                          | *5,2% (±0,5) | *- (-)     |
| CO <sub>2</sub> at Minimum Q.                          | %                          | 8.8 (±0,5)   | 9.5 (±0,5) |
| *O <sub>2</sub> at Minimum Q.                          | %                          | *5,2% (±0,5) | *- (-)     |
| CO with 0% O <sub>2</sub> at Nom./Min. Q.              | ppm                        | 187 / 2      | 226 / 4    |
| NO <sub>x</sub> with 0% O <sub>2</sub> at Nom./Min. Q. | mg/kWh                     | 33 / 19      | 34 / 23    |
| Flue temperature at nominal output                     | °C                         | 82           | 83         |
| Flue temperature at minimum output                     | °C                         | 57           | 60         |
| Max air combustion temperature                         | °C                         | 50           | 50         |

\* The O<sub>2</sub> values refer to gas G20Y20

| Intake / exhaust available head with Min | Intake / exhaust available head with Med | Intake / exhaust available head with Max |
|--|--|--|
| Pa                                       | Pa                                       | Pa                                       |
| 92                                       | 195                                      | 281                                      |

### 4.3 TECHNICAL DATA TABLE

|  |                         | VICTRIX SUPERIOR 35 PLUS  |
|--|-------------------------|---|
| Domestic hot water nominal heat input                            | kW (kcal/h)             | 34 (29228)  |
| Central heating nominal heat input                               | kW (kcal/h)             | 32.8 (28226)  |
| Minimum heat input   | kW (kcal/h)             | 2.2 (1897)  |
| Minimum heat input G31   | kW                      | 2.9   |
| DHW nominal heat input with G20Y20 gas                           | kW                      | 31,2  |
| PoCentral heating nominal heat input with G20Y20 gas             | kW                      | 30,0  |
| Minimum heat input with G20Y20 gas                               | kW                      | 2,2   |
| Domestic hot water nominal heat output (useful)                  | kW (kcal/h)             | 33 (28380)  |
| Central heating nominal heat output (useful)                     | kW (kcal/h)             | 32 (27520)  |
| Minimum heat output (useful)                                     | kW (kcal/h)             | 2.1 (1806)  |
| Minimum heat output (useful) G31                                 | kW                      | 2.8   |
| *Effective thermal efficiency 80/60 Nom./Min.                    | %                       | 97.5/95.2   |
| *Effective thermal efficiency 50/30 Nom./Min.                    | %                       | 105.7/106.6   |
| *Effective thermal efficiency 40/30 Nom./Min.                    | %                       | 109,7/107,3   |
| Casing losses with burner On/Off (80-60°C)                       | %                       | 0,23/0,60   |
| Chimney losses with burner On/Off (80-60°C)                      | %                       | 0,03/2,30   |
| Central heating circuit max. operating pressure                  | bar (MPa)               | 3,0 (0,30)  |
| Maximum heating temperature                                      | °C                      | 90  |
| Adjustable central heating temperature (min. operating field)    | °C                      | 20  |
| Adjustable central heating temperature (max operating field)     | °C                      | 85  |
| System expansion vessel total volume                             | l                       | 8.3   |
| Expansion vessel pre-charged pressure                            | bar (MPa)               | 1,0 (0,10)  |
| Appliance water content  | l                       | 2.7   |
| Head available with 1000l/h flow rate                            | kPa (mH <sub>2</sub> O) | 37,57 kPa (3,833 mca)   |
| Domestic hot water adjustable temperature                        | °C                      | 30-60   |
| Domestic hot water circuit min. pressure (dynamic)               | bar (MPa)               | 0,3 (0,03)  |
| Domestic hot water circuit max. operating pressure               | bar (MPa)               | 10,0 (1,00)   |
| Flow rate capacity in continuous duty (ΔT 30°C)                  | l/min                   | ##  |
| Weight of full boiler  | kg                      | 40,0  |
| Weight of empty boiler   | kg                      | 37.3  |
| Electrical connection  | V/Hz                    | 230/50  |
| Nominal power absorption   | A                       | 1   |
| Installed electric power   | W                       | 140   |
| Pump absorbed power  | W                       | 75  |
| Fan power absorbed power   | W                       | #   |
| Equipment electrical system protection                           | -                       | IPX5D   |
| Max temperature of combustion products                           | °C                      | 75  |
| Max. flue overheating temperature                                | °C                      | 120   |
| Ambient operating temperature range                              | °C                      | -5 ÷ 40   |
| Ambient operating temperature range with optional antifreeze kit | °C                      | -15 ÷ 40  |
| NO <sub>x</sub> class  | -                       | 6   |
| *Weighted NO <sub>x</sub>  | mg/kWh                  | 30  |
| Weighted CO  | mg/kWh                  | 26  |
| **Type of appliance  | -                       | C13-C13x-C33-C33x-C43-C43x-C53-C63-C63x-C83-C83x-C93-C93x-C(10)3-C(12)3-C(15)3-C(10)3X-C(15)3XB23p-B33-B53p |

INSTALLER

USER

MAINTENANCE TECHNICIAN

TECHNICAL DATA

|          |   |              |
|----------|---|--------------|
| Market   | - | IE           |
| Category | - | II2H3P - I3P |

\* Efficiencies and weighted NO<sub>x</sub> refer to the net calorific value.

The data relevant to domestic hot water performance refer to a dynamic inlet pressure of 2 bar and an inlet temperature of 15°C; the values are measured directly at the appliance outlet considering that to obtain the data declared mixing with cold water is necessary.

\*\* The C10 and C12 configurations are only allowed with the original approved flue

\*\* For type C63 it is forbidden to install the appliance as it came out of the factory, in configurations that require shared flues in positive pressure.

#### 4.4 KEY FOR DATA NAMEPLATE

|                                      |                                      |                     |                     |            |
|--------------------------------------|--------------------------------------|---------------------|---------------------|------------|
| Md                                   |                                      | Cod. Md             |                     |            |
| Sr N°                                | CHK                                  | Cod. PIN            |                     |            |
| Type                                 |                                      |                     |                     |            |
| Q <sub>nw</sub> /Q <sub>n</sub> min. | Q <sub>nw</sub> /Q <sub>n</sub> max. | P <sub>n</sub> min. | P <sub>n</sub> max. |            |
| PMS                                  | PMW                                  | D                   | TM                  |            |
| NO <sub>x</sub> Class                |                                      |                     |                     |            |
|                                      |                                      |                     |                     | CONDENSING |

78



The technical data are provided on the data plate on the appliance.

|                       | ENG  |
|-----------------------|--|
| Md                    | Model                                      |
| Cod. Md               | Model code                                 |
| Sr N°                 | Serial Number                              |
| CHK                   | Check                                      |
| Cod. PIN              | PIN code                                   |
| Type                  | Type of installation<br>(ref. CEN TR 1749) |
| Q <sub>nw</sub> min.  | Minimum DHW heat input                     |
| Q <sub>n</sub> min.   | Central heating minimum heat input         |
| Q <sub>nw</sub> max.  | DHW maximum heat input                     |
| Q <sub>n</sub> max.   | Central heating maximum heat input         |
| P <sub>n</sub> min.   | Minimum heat output                        |
| P <sub>n</sub> max.   | Maximum heat output                        |
| PMS                   | Maximum system pressure                    |
| PMW                   | Maximum domestic hot water pressure        |
| D                     | Specific flow rate                         |
| TM                    | Maximum operating temperature              |
| NO <sub>x</sub> Class | NO <sub>x</sub> Class                      |
| CONDENSING            | Condensing boiler                          |

#### 4.5 TECHNICAL PARAMETERS FOR COMBINATION BOILERS (IN COMPLIANCE WITH REGULATION 813/2013)

The efficiencies and  $\text{NO}_x$  values in the following tables refer to the gross calorific value.

|  |   |       |      |   |               |   |        |    |
|--|---|-------|------|---|---------------|---|--------|----|
| Model/s:   |   |       |      | VICTRIX SUPERIOR 35 PLUS  |               |   |        |    |
| Condensing Boilers:  |   |       |      | SI  |               |   |        |    |
| Low temperature boiler:  |   |       |      | NO  |               |   |        |    |
| Boiler type B1:  |   |       |      | NO  |               |   |        |    |
| Co-generation appliance for central heating:   |   |       |      | NO  |               | Fitted with supplementary heating system: |        | NO |
| Mixed heating appliance:   |   |       |      | NO  |               |   |        |    |
| Element  | Symbol  | Value | Unit | Element   | Symbol        | Value                                     | Unit   |    |
| Nominal heat output  | $P_n$   | 32    | kW   | Seasonal energy efficiency of central heating                       | $\eta_s$      | 94  | %      |    |
| For central heating only and combination boilers: useful heat output   |   |       |      | For central heating only and combination boilers: useful efficiency |               |   |        |    |
| At nominal heat output in high temperature mode (*)  | $P_4$   | 32,0  | kW   | At nominal heat output in high temperature mode (*)                 | $\eta_4$      | 87,8                                      | %      |    |
| At 30% of nominal heat output in a low temperature mode (**)   | $P_1$   | 10,8  | kW   | At 30% of nominal heat output in a low temperature mode (**)        | $\eta_1$      | 98,7                                      | %      |    |
| Auxiliary electricity consumption  |   |       |      | Other items   |               |   |        |    |
| At full load   | $el_{max}$  | 0,024 | kW   | Heat loss in standby  | $P_{stby}$    | 0,060                                     | kW     |    |
| At partial load  | $el_{min}$  | 0,015 | kW   | Ignition burner energy consumption                                  | $P_{ign}$     | 0,000                                     | kW     |    |
| In standby mode  | $P_{SB}$  | 0,005 | kW   | Emissions of nitrogen oxides  | $\text{NO}_x$ | 27  | mg/kWh |    |
| For mixed central heating appliances   |   |       |      |   |               |   |        |    |
| Stated load profile  | XL  |       |      | Domestic hot water production efficiency                            | $\eta_{WH}$   | -   | %      |    |
| Daily electrical power consumption   | $Q_{elec}$  | -     | kWh  | Daily gas consumption   | $Q_{fuel}$    | -   | kWh    |    |
| Contact information  | IMMERGASS.p.A. VIA CISA LIGURE, 95 - 42041 BRESCELLO (RE) ITALY |       |      |   |               |   |        |    |
| (*) High temperature mode means 60°C on return and 80°C on flow.   |   |       |      |   |               |   |        |    |
| (**) Low temperature mode for condensation Boilers means 30°C, for low temperature boilers 37°C and for other appliances 50°C of return temperature. |   |       |      |   |               |   |        |    |

INSTALLER

USER

MAINTENANCE TECHNICIAN

TECHNICAL DATA

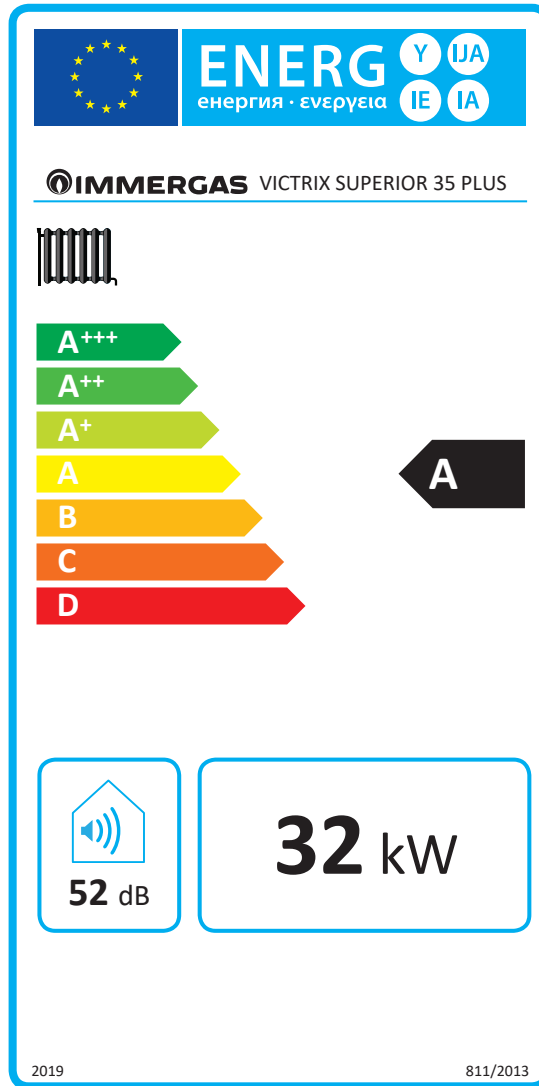
#### 4.6 PRODUCT FICHE (IN COMPLIANCE WITH REGULATION 811/2013)

INSTALLER

USER

MAINTENANCE TECHNICIAN

TECHNICAL DATA



79

#### Victrix Superior 35 Plus

| Parameter  | value   |
|--|---------|
| Annual energy consumption for the central heating mode (QHE) | 52,5 GJ |
| Seasonal space heating energy efficiency ( $\eta_s$ )        | 94 %    |



## 4.7 PARAMETERS FOR FILLING IN THE PACKAGE FICHE

If you wish to install an assembly, starting from this appliance, use the assembly charts in Fig. 81 and 83).

To complete it properly, fill the relevant spaces as shown in the assembly chart facsimile (Fig. 80 and 82) with the values shown in tables "Parameters for filling in the assembly chart" and "Parameters for filling in the D.H.W. package assembly chart".

The remaining values must be obtained from the technical data sheets of the products used to make up the assembly (e.g. solar devices, integration heat pumps, temperature controllers).

Use board (Fig. 81) for "assemblies" related to the central heating mode (e.g.: boiler + temperature controller).

Use board (Fig. 83) for "assemblies" related to the domestic hot water function (e.g.: boiler + solar thermal system).

### Facsimile for filling in the package fiche for room central heating systems.

Seasonal central heating energy efficiency of the boiler ①  
 %

---

Temperature control ②  
 From temperature control board +  %

Class I = 1 %, Class II = 2 %,  
 Class III = 1.5 %, Class IV = 2 %,  
 Class V = 3 %, Class VI = 4 %,  
 Class VII = 3.5 %, Class VIII = 5 %

---

Supplementary boiler ③  
 From boiler board ±  %

Seasonal central heating energy efficiency of the room (%)  
 (  - 'I' ) x 0.1 = ±  %

---

**Solar contribution**  
 From the board of the solar device

Dimensions of the manifold (in m<sup>2</sup>)    
 Volume of the tank (in m<sup>3</sup>)    
 Efficiency of the manifold (in %)

Classification of the tank  
 A\* = 0.95, A = 0.91,  
 B = 0.86, C = 0.83,  
 D-G = 0.81

( 'III' x  + 'IV' x  ) x (0.9 x (  / 100 ) x  = + ④  %

---

Supplementary heat pump ⑤  
 From the heat pump board +  %

Seasonal central heating energy efficiency of the room (%)  
 (  - 'I' ) x 'II' = +  %

---

Solar contribution and supplementary heat pump

Select the lowest value ⑥  
 0.5 x ④     0    0.5 x ⑤  = -  %

---

Seasonal central heating energy efficiency of the set ⑦  
 %

---

Seasonal central heating energy efficiency class of the set

|        |        |        |        |        |        |        |        |         |         |         |
|--------|--------|--------|--------|--------|--------|--------|--------|---------|---------|---------|
|        |        |        |        |        |        |        |        |         |         |         |
| G      | F      | E      | D      | C      | B      | A      | A*     | A**     | A***    | A***    |
| < 30 % | ≥ 30 % | ≥ 34 % | ≥ 36 % | ≥ 75 % | ≥ 82 % | ≥ 90 % | ≥ 98 % | ≥ 125 % | ≥ 150 % | ≥ 150 % |

---

Boiler and supplementary heat pump installed with low temperature heat emitters at 35 °C? ⑦  
 From the board of the heat pump +  %

+ ( 50 x 'II' ) =  %

The energy efficiency of the set of products indicated in this sheet may not reflect the actual energy efficiency after installation since such efficiency is affected by additional factors, such as the heat loss in the distribution system and the size of the products compared to the size and features of the building.

**Parameters for filling in the assembly chart**

| Parameter | VICTRIX SUPERIOR 35 PLUS |
|-----------|--------------------------|
| "I"       | 94                       |
| "II"      | *                        |
| "III"     | 0.95                     |
| "IV"      | 0.37                     |

\* to be established by means of table 5 of Regulation 811/2013 in case of "assembly" including a heat pump to integrate the boiler. In this case the boiler must be considered as the main appliance of the assembly.

**Room central heating system package fiche.**

Seasonal central heating energy efficiency of the boiler 1  %

---

Temperature control  
From temperature control board 2  %

Class I = 1 %, Class II = 2 %,  
 Class III = 1.5 %, Class IV = 2 %,  
 Class V = 3 %, Class VI = 4 %,  
 Class VII = 3.5 %, Class VIII = 5 %

Supplementary boiler  
From boiler board 3  %

Seasonal central heating energy efficiency of the room (%)

$$(\text{ } - \text{ } ) \times 0.1 = \pm \text{ } \%$$

Solar contribution  
From the board of the solar device 4  %

Dimensions of the manifold (in m<sup>2</sup>)

Volume of the tank (in m<sup>3</sup>)

Efficiency of the manifold (in %)

Classification of the tank  
A\* = 0.95, A = 0.91,  
B = 0.86, C = 0.83,  
D-G = 0.81

$$(\text{ } \times \text{ } + \text{ } \times \text{ } ) \times (0.9 \times ( \text{ } / 100 ) \times \text{ } ) = + \text{ } \%$$

Supplementary heat pump  
From the heat pump board 5  %

Seasonal central heating energy efficiency (in %)

$$( \text{ } - \text{ } ) \times \text{ } = + \text{ } \%$$

Solar contribution and supplementary heat pump

Select the lowest value 6  %

$$0.5 \times \text{ } \text{ O } 0.5 \times \text{ } = - \text{ } \%$$


---

Seasonal central heating energy efficiency of the set 7  %

---

Seasonal central heating energy efficiency class of the set

|                          |                          |                          |                          |                          |                          |                          |                          |                          |                          |
|--------------------------|--------------------------|--------------------------|--------------------------|--------------------------|--------------------------|--------------------------|--------------------------|--------------------------|--------------------------|
| <input type="checkbox"/> | <input type="checkbox"/> | <input type="checkbox"/> | <input type="checkbox"/> | <input type="checkbox"/> | <input type="checkbox"/> | <input type="checkbox"/> | <input type="checkbox"/> | <input type="checkbox"/> | <input type="checkbox"/> |
| <b>G</b>                 | <b>F</b>                 | <b>E</b>                 | <b>D</b>                 | <b>C</b>                 | <b>B</b>                 | <b>A</b>                 | <b>A<sup>+</sup></b>     | <b>A<sup>++</sup></b>    | <b>A<sup>+++</sup></b>   |
| < 30 %                   | ≥ 30 %                   | ≥ 34 %                   | ≥ 36 %                   | ≥ 75 %                   | ≥ 82 %                   | ≥ 90 %                   | ≥ 98 %                   | ≥ 125 %                  | ≥ 150 %                  |

Boiler and supplementary heat pump installed with low temperature heat emitters at 35 °C?

From the board of the heat pump 7  %

$$\text{ } + ( 50 \times \text{ } ) = \text{ } \%$$

The energy efficiency of the set of products indicated in this sheet may not reflect the actual energy efficiency after installation since such efficiency is affected by additional factors, such as the heat loss in the distribution system and the size of the products compared to the size and features of the building.



Facsimile for filling in the domestic hot water production system package fiche

Water heating energy efficiency of combination boiler

<sup>1</sup>  %

Stated load profile:

Solar contribution

From the board of the solar device

Auxiliary electricity

$$(1.1 \times \text{'I'} - 10\%) \times \text{'II'} - \text{'III'} - \text{'I'} = + \text{} \%$$

Water heating energy efficiency of the assembly in average climate conditions

<sup>3</sup>  %

Water heating energy efficiency class of the assembly in average climate conditions

|                                     | <input type="checkbox"/> | <input type="checkbox"/> | <input type="checkbox"/> | <input type="checkbox"/> | <input type="checkbox"/> | <input type="checkbox"/> | <input type="checkbox"/> | <input type="checkbox"/> | <input type="checkbox"/> | <input type="checkbox"/> |
|-------------------------------------|--------------------------|--------------------------|--------------------------|--------------------------|--------------------------|--------------------------|--------------------------|--------------------------|--------------------------|--------------------------|
|                                     | <b>G</b>                 | <b>F</b>                 | <b>E</b>                 | <b>D</b>                 | <b>C</b>                 | <b>B</b>                 | <b>A</b>                 | <b>A<sup>+</sup></b>     | <b>A<sup>++</sup></b>    | <b>A<sup>+++</sup></b>   |
| <input type="checkbox"/> <b>M</b>   | < 27 %                   | ≥ 27 %                   | ≥ 30 %                   | ≥ 33 %                   | ≥ 36 %                   | ≥ 39 %                   | ≥ 65 %                   | ≥ 100 %                  | ≥ 130 %                  | ≥ 163 %                  |
| <input type="checkbox"/> <b>L</b>   | < 27 %                   | ≥ 27 %                   | ≥ 30 %                   | ≥ 34 %                   | ≥ 37 %                   | ≥ 50 %                   | ≥ 75 %                   | ≥ 115 %                  | ≥ 150 %                  | ≥ 188 %                  |
| <input type="checkbox"/> <b>XL</b>  | < 27 %                   | ≥ 27 %                   | ≥ 30 %                   | ≥ 35 %                   | ≥ 38 %                   | ≥ 55 %                   | ≥ 80 %                   | ≥ 123 %                  | ≥ 160 %                  | ≥ 200 %                  |
| <input type="checkbox"/> <b>XXL</b> | < 28 %                   | ≥ 28 %                   | ≥ 32 %                   | ≥ 36 %                   | ≥ 40 %                   | ≥ 60 %                   | ≥ 85 %                   | ≥ 131 %                  | ≥ 170 %                  | ≥ 213 %                  |

Water heating energy efficiency class in colder and hotter climate conditions

Colder: <sup>3</sup>  - 0.2 x <sup>2</sup>  =  %

Hotter: <sup>3</sup>  + 0.4 x <sup>2</sup>  =  %

*The energy efficiency of the set of products indicated in this sheet may not reflect the actual energy efficiency after installation since such efficiency is affected by additional factors, such as the heat loss in the distribution system and the size of the products compared to the size and features of the building.*

INSTALLER

USER

MAINTENANCE TECHNICIAN

TECHNICAL DATA

**Parameters for filling in the DHW package fiche**

| Parameter | VICTRIX SUPERIOR 35 PLUS |
|-----------|--------------------------|
| "I"       | 80                       |
| "II"      | *                        |
| "III"     | *                        |

\* to be determined according to Regulation 811/2013 and transient calculation methods as per Notice of the European Community no. 207/2014.

**Domestic hot water production system package fiche.**

Water heating energy efficiency of combination boiler ①  %

Stated load profile:

Solar contribution

From the board of the solar device

Auxiliary electricity

$(1.1 \times \text{---} - 10\%) \times \text{---} - \text{---} = + \text{②} \text{  \%}$

Water heating energy efficiency of the assembly in average climate conditions ③  %

Water heating energy efficiency class of the assembly in average climate conditions

|                              | <input type="checkbox"/> | <input type="checkbox"/> | <input type="checkbox"/> | <input type="checkbox"/> | <input type="checkbox"/> | <input type="checkbox"/> | <input type="checkbox"/> | <input type="checkbox"/> | <input type="checkbox"/> | <input type="checkbox"/> |
|------------------------------|--------------------------|--------------------------|--------------------------|--------------------------|--------------------------|--------------------------|--------------------------|--------------------------|--------------------------|--------------------------|
|                              | G                        | F                        | E                        | D                        | C                        | B                        | A                        | A <sup>+</sup>           | A <sup>++</sup>          | A <sup>+++</sup>         |
| <input type="checkbox"/> M   | < 27 %                   | ≥ 27 %                   | ≥ 30 %                   | ≥ 33 %                   | ≥ 36 %                   | ≥ 39 %                   | ≥ 65 %                   | ≥ 100 %                  | ≥ 130 %                  | ≥ 163 %                  |
| <input type="checkbox"/> L   | < 27 %                   | ≥ 27 %                   | ≥ 30 %                   | ≥ 34 %                   | ≥ 37 %                   | ≥ 50 %                   | ≥ 75 %                   | ≥ 115 %                  | ≥ 150 %                  | ≥ 188 %                  |
| <input type="checkbox"/> XL  | < 27 %                   | ≥ 27 %                   | ≥ 30 %                   | ≥ 35 %                   | ≥ 38 %                   | ≥ 55 %                   | ≥ 80 %                   | ≥ 123 %                  | ≥ 160 %                  | ≥ 200 %                  |
| <input type="checkbox"/> XXL | < 28 %                   | ≥ 28 %                   | ≥ 32 %                   | ≥ 36 %                   | ≥ 40 %                   | ≥ 60 %                   | ≥ 85 %                   | ≥ 131 %                  | ≥ 170 %                  | ≥ 213 %                  |

Water heating energy efficiency class in colder and hotter climate conditions

Colder:  $\text{③} \text{  } - 0.2 \times \text{②} \text{  } = \text{  \%}$

Hotter:  $\text{③} \text{  } + 0.4 \times \text{②} \text{  } = \text{  \%}$

*The energy efficiency of the set of products indicated in this sheet may not reflect the actual energy efficiency after installation since such efficiency is affected by additional factors, such as the heat loss in the distribution system and the size of the products compared to the size and features of the building.*



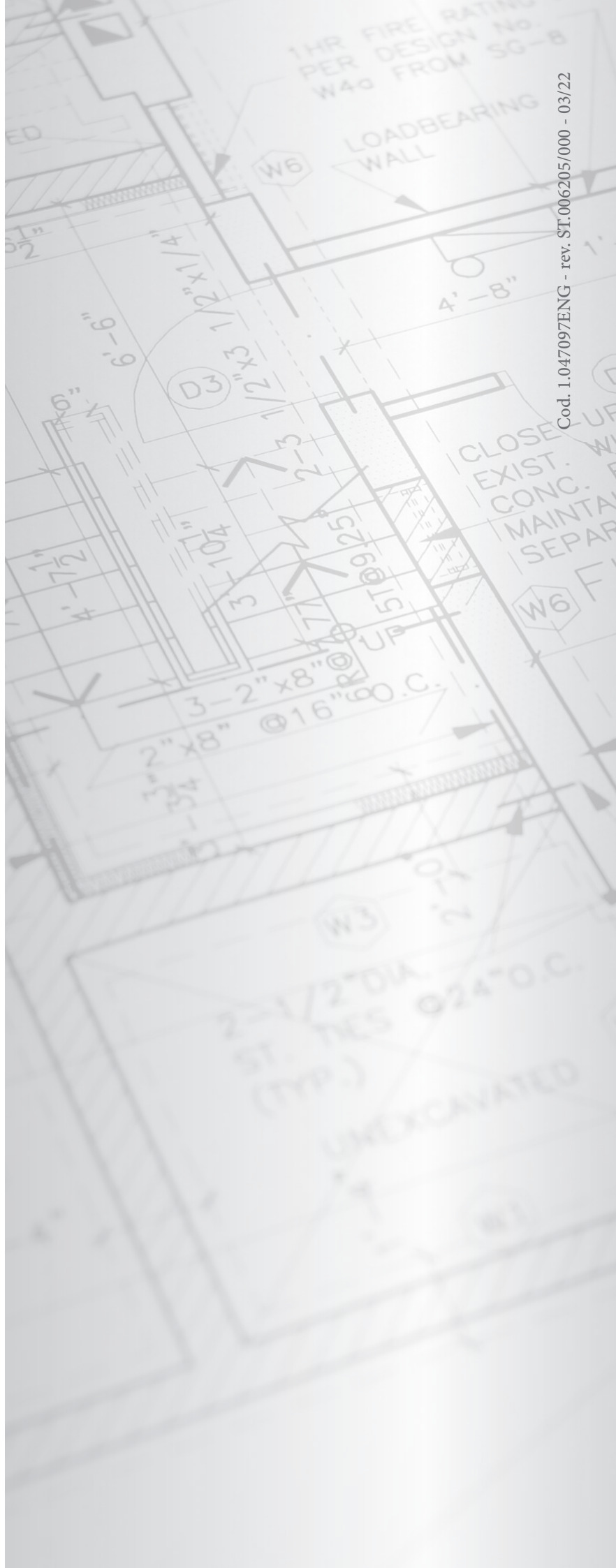








This instruction booklet is made of ecological paper.



Cod. 1.047097ENG - rev. ST.006205/000 - 03/22

[immergas.com](http://immergas.com)

Immergas S.p.A.  
42041 Brescello (RE) - Italy  
Tel. 0522.689011  
Fax 0522.680617



**IMMERCAS**  
IMMERCAS SPA - ITALY  
CERTIFIED COMPANY  
UNI EN ISO 9001:2015

Design, manufacture and post-sale assistance of gas boilers, gas water heaters and related accessories